

[54] LIGHT DIFFUSER

[76] Inventor: Raymond G. Larson, 9731 Rainer Cir., Huntington Beach, Calif. 92646

[**] Term: 14 Years

[21] Appl. No.: 718,055

[22] Filed: Aug. 26, 1976

[51] Int. Cl. D26-05

[52] U.S. Cl. D48/16 D

[58] Field of Search D48/20 E, 23 R, 20 R, D48/16 R, 16 D; 362/326-361, 404, 278, 18, 320

[56] References Cited

U.S. PATENT DOCUMENTS

2,205,860	6/1940	Olds	362/18
3,821,542	6/1974	Kitamura et al.	362/278
3,851,164	11/1974	Intrator	362/320 X
4,052,607	10/1977	Larson	362/18

FOREIGN PATENT DOCUMENTS

162935	5/1921	United Kingdom	362/351
395579	7/1933	United Kingdom	362/345

Primary Examiner—Susan J. Lucas
Attorney, Agent, or Firm—Thomas P. Mahoney

[57] CLAIM

The ornamental design for a light diffuser, as shown and described.

DESCRIPTION

FIG. 1 is a perspective view of the light diffuser showing my new design, a lamp being shown in broken lines for illustrative purposes only;

FIG. 2 is a rear view thereof on an enlarged scale;

FIG. 3 is a side view thereof on an enlarged scale;

FIG. 4 is a front view thereof on an enlarged scale; and

FIG. 5 is a perspective view of a second embodiment of my design, the front of the second embodiment being identical to that of the first.

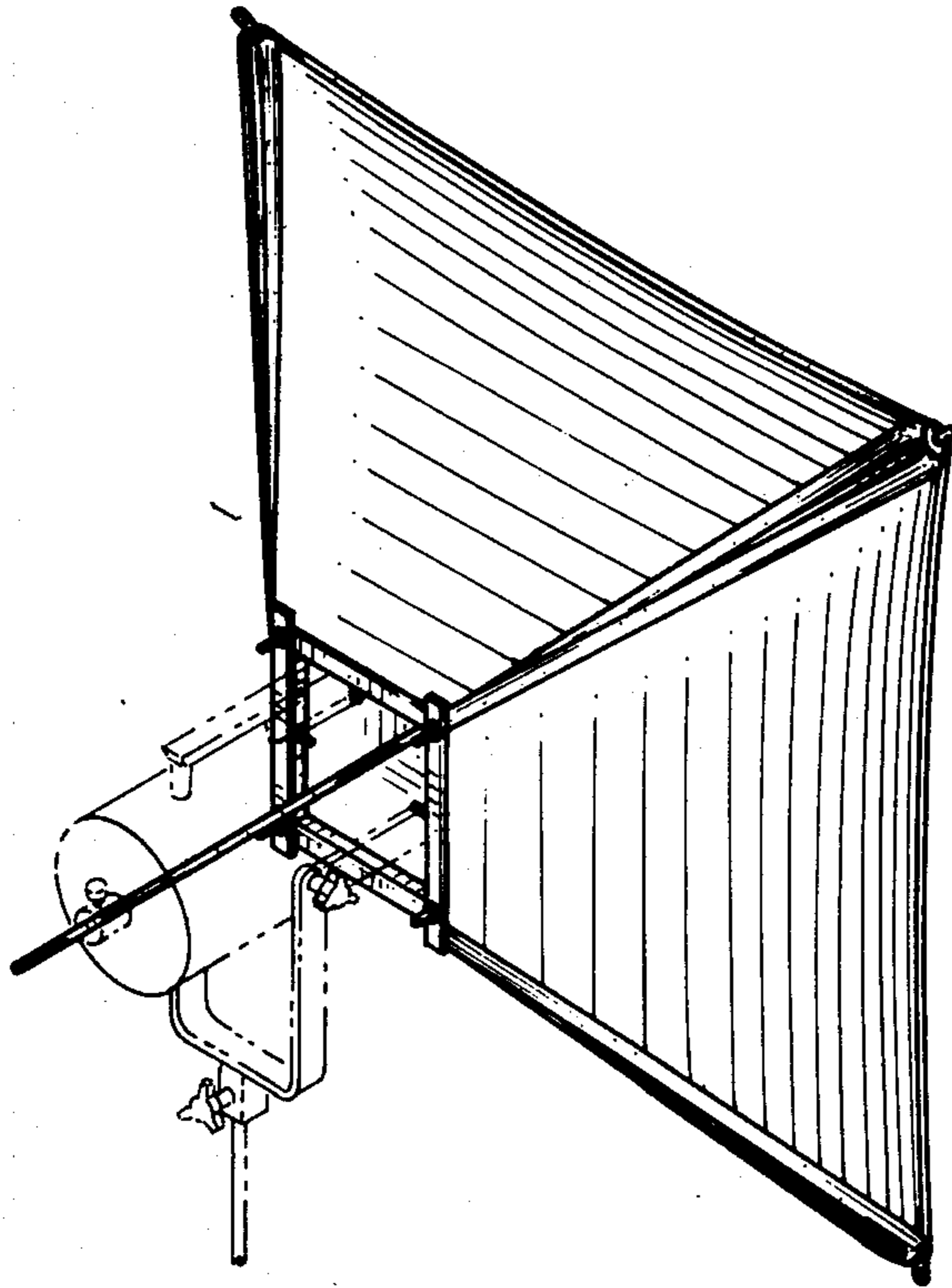


Fig. 1.

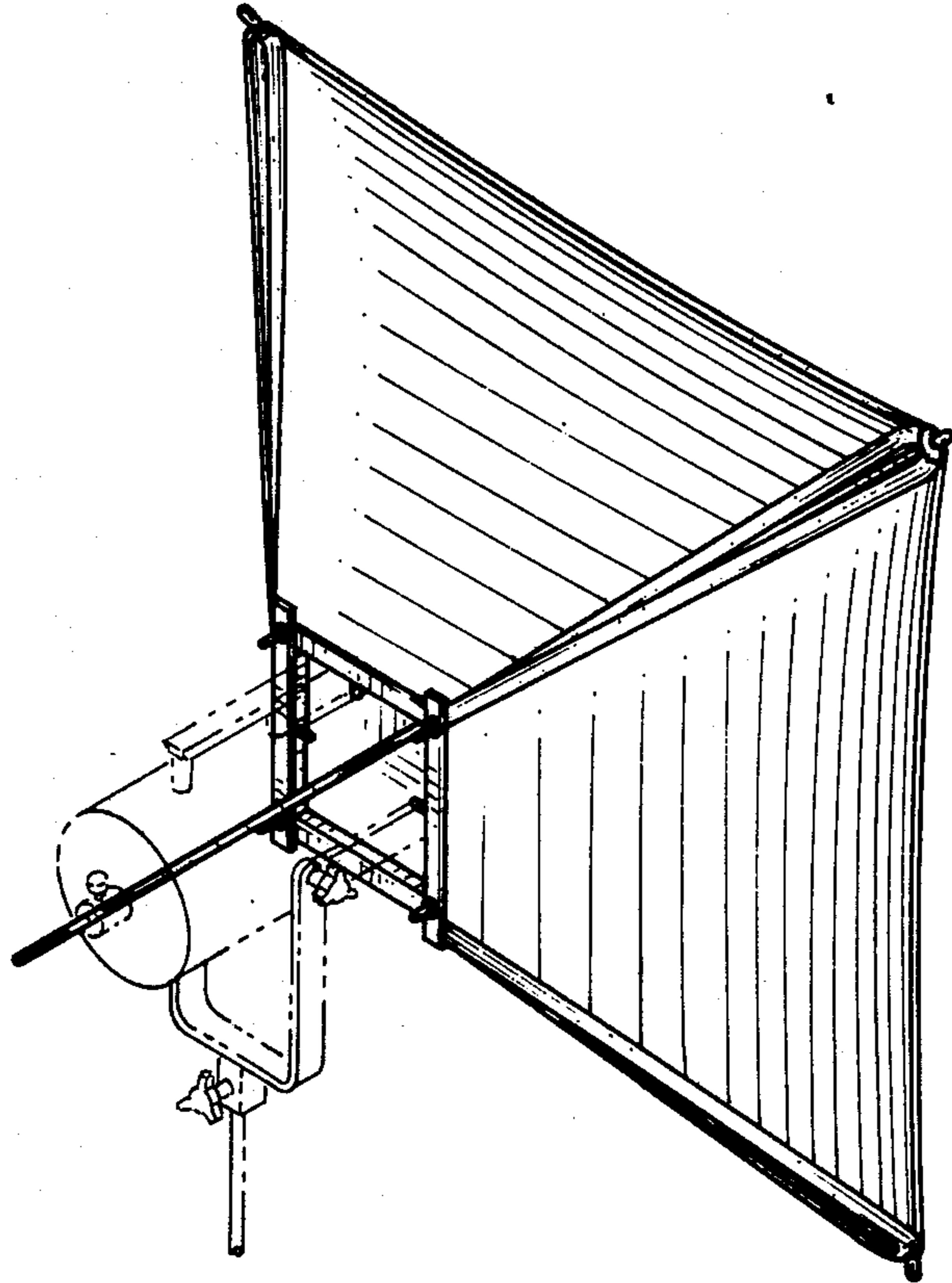


Fig. 2.

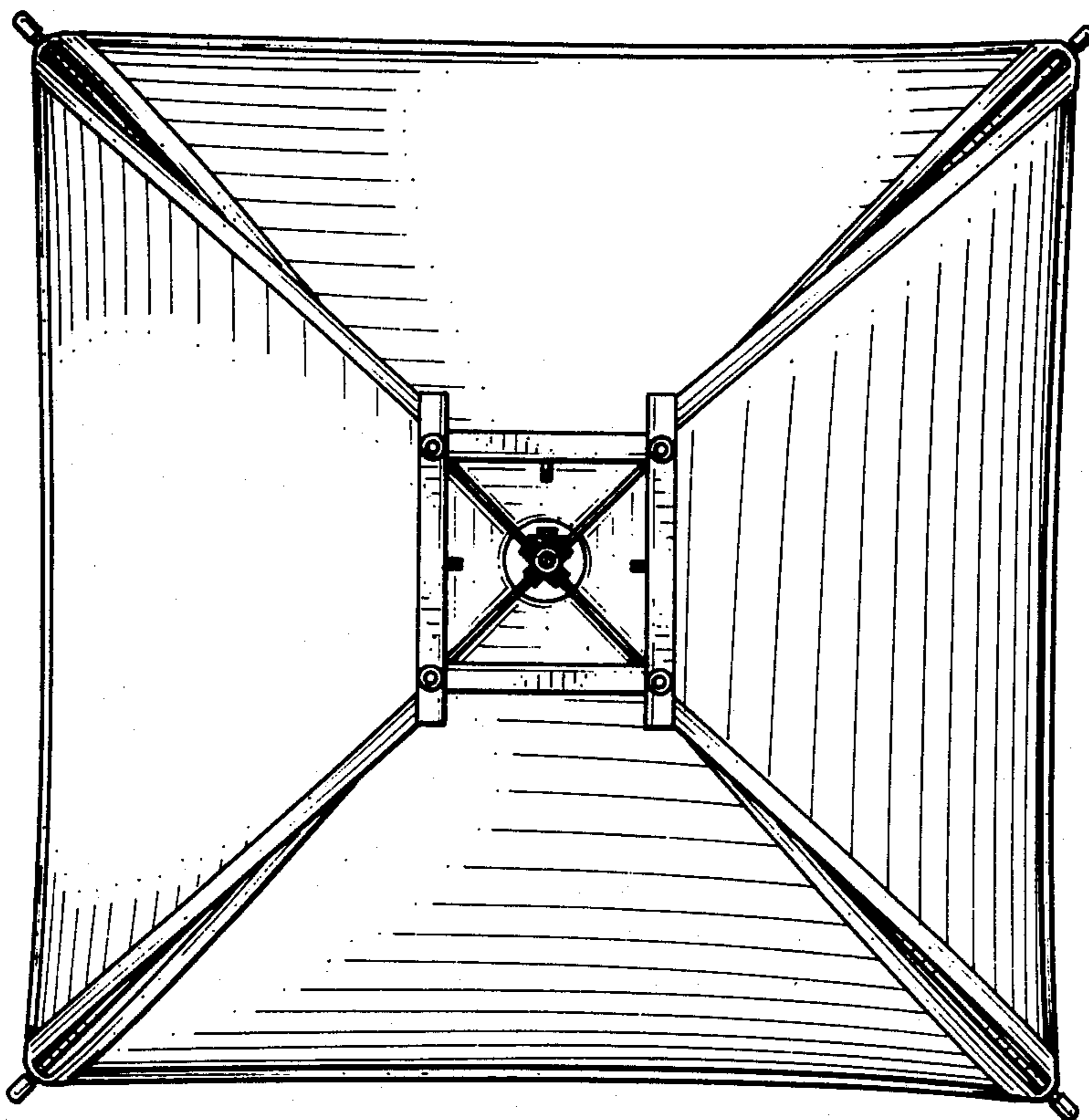


Fig. 3.

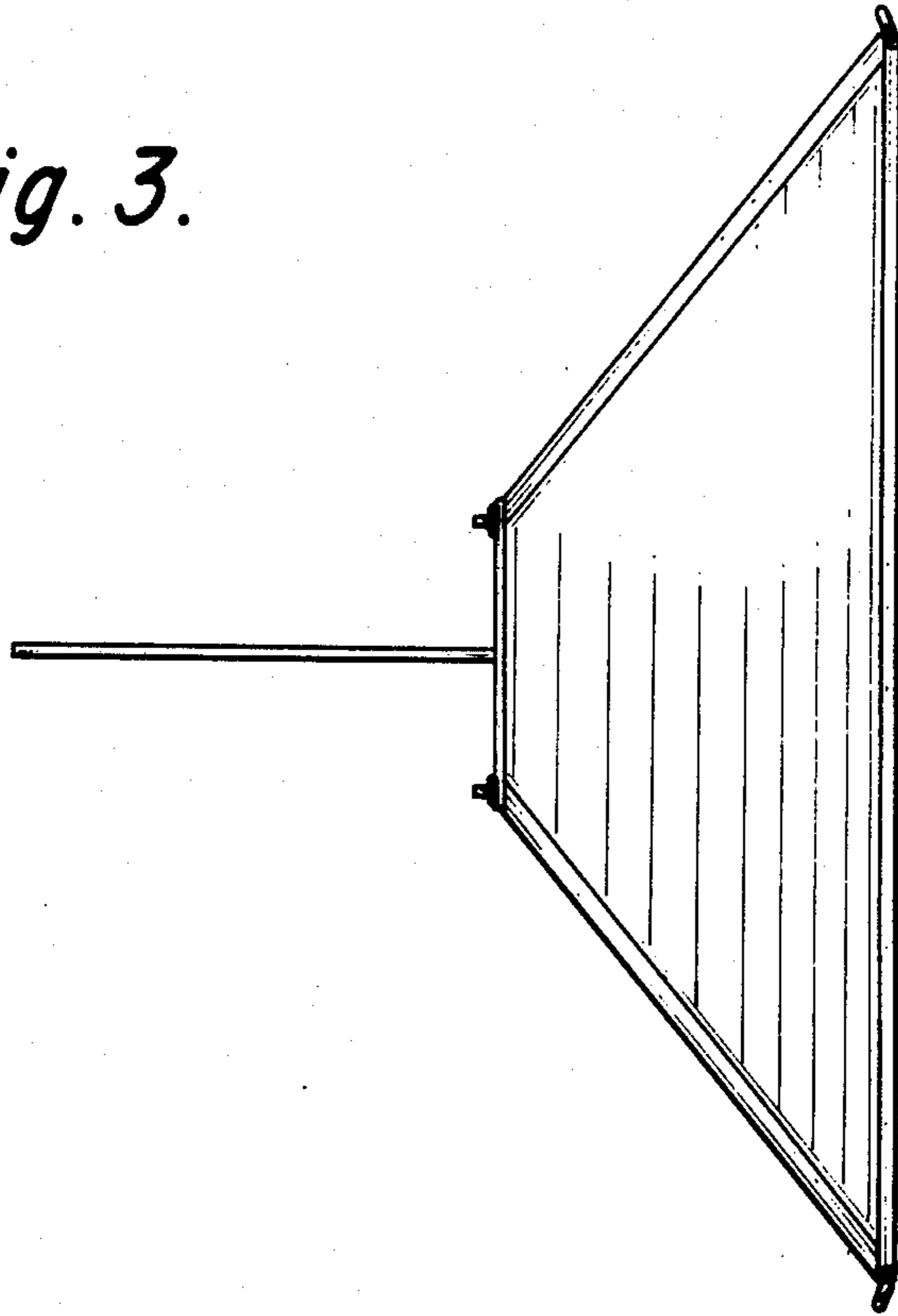


Fig. 4.

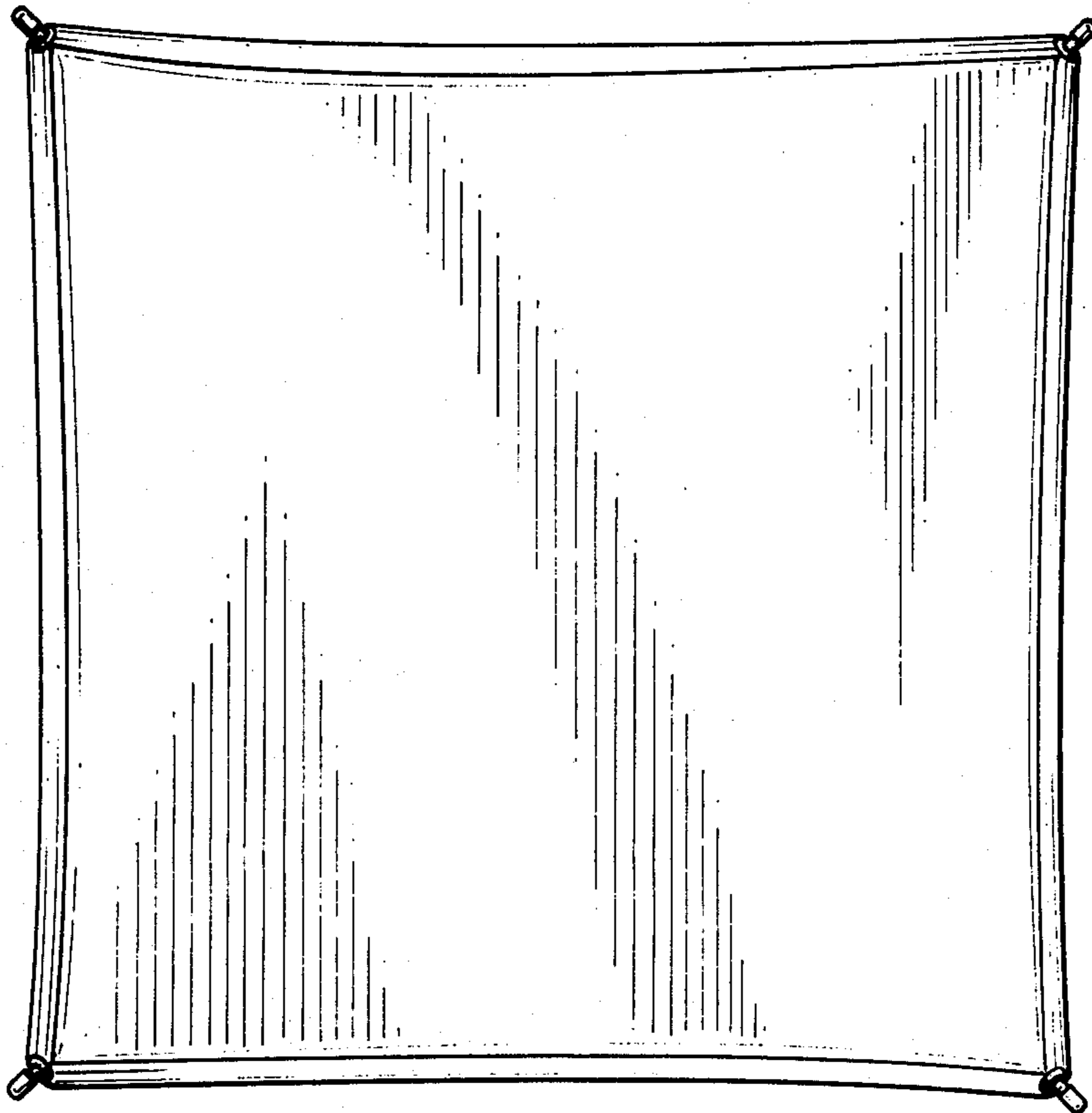


Fig. 5.

