

[54] KIOSK

[75] Inventor: Michael Wollman, New York, N.Y.

[73] Assignee: Pergament Photographic, Inc.

[**] Term: 14 Years

[21] Appl. No.: 808,441

[22] Filed: Jun. 20, 1977

[51] Int. Cl. D25-03
[52] U.S. Cl. D25/16; D25/31
[58] Field of Search D25/1, 4, 13, 15, 16,
D25/17, 18, 19, 22, 23, 24, 25, 26, 28, 30, 31, 32,
33, 34, 56, 59

[56]

References Cited

U.S. PATENT DOCUMENTS

D. 230,511	2/1974	Stieber	D25/16
D. 233,747	11/1974	Martin	D25/31 X
D. 242,923	1/1977	Dattner	D25/16
3,205,891	6/1965	Achner	D25/16 X

Primary Examiner—A. Hugo Word
Attorney, Agent, or Firm—Nelson Littell

[57]

CLAIM

The ornamental design for a kiosk, as shown.

DESCRIPTION

FIG. 1 is a perspective side view from line 1—1 of FIG. 2 of a kiosk embodying my design.
FIG. 2 is a top view of the kiosk illustrated in FIG. 1.
FIG. 3 is a perspective front view from line 3—3 of FIG. 2 of the kiosk shown in FIG. 1.
FIG. 4 is a rear view from line 4—4 of FIG. 2 of the kiosk.

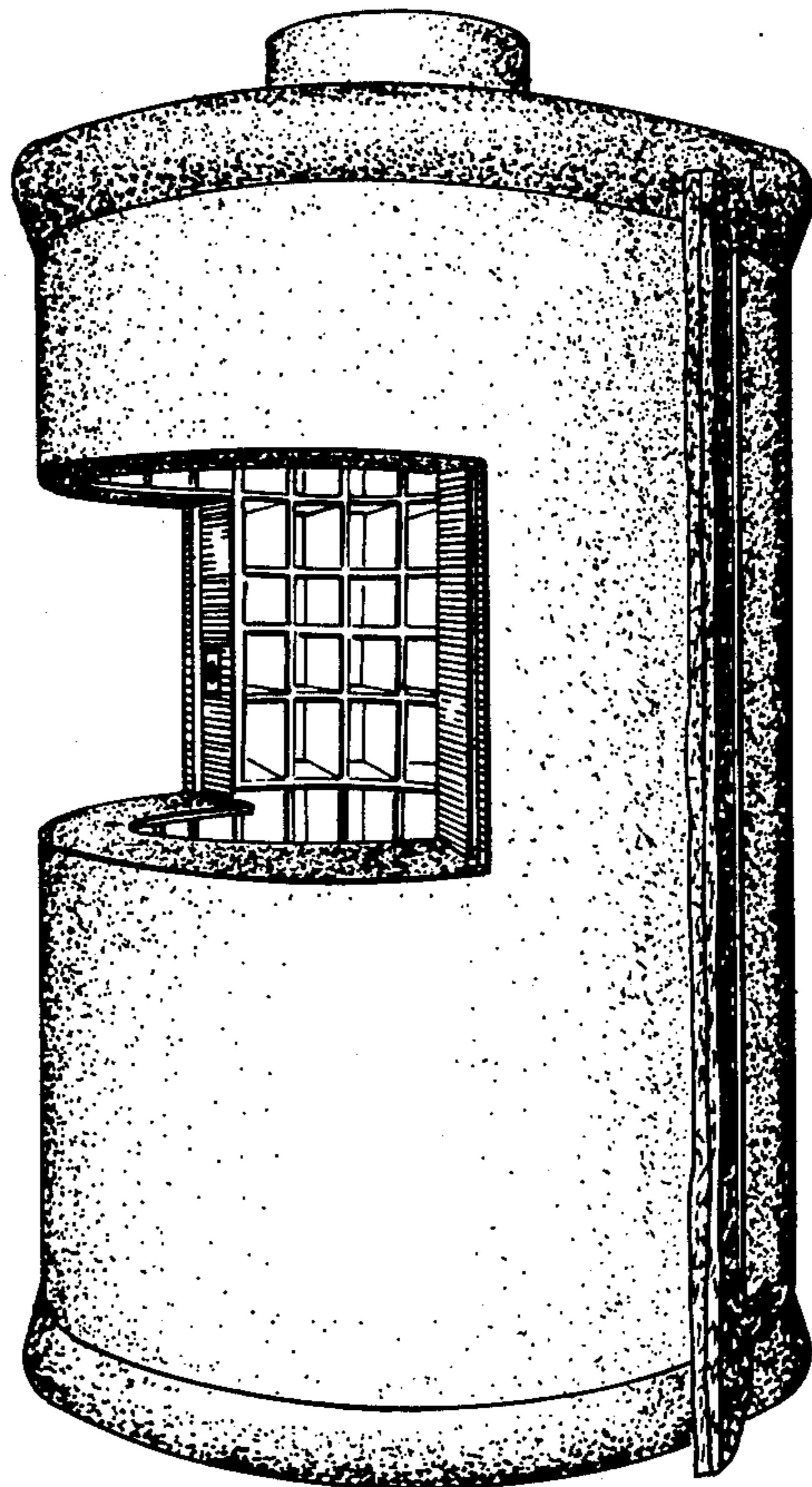


FIG. 1

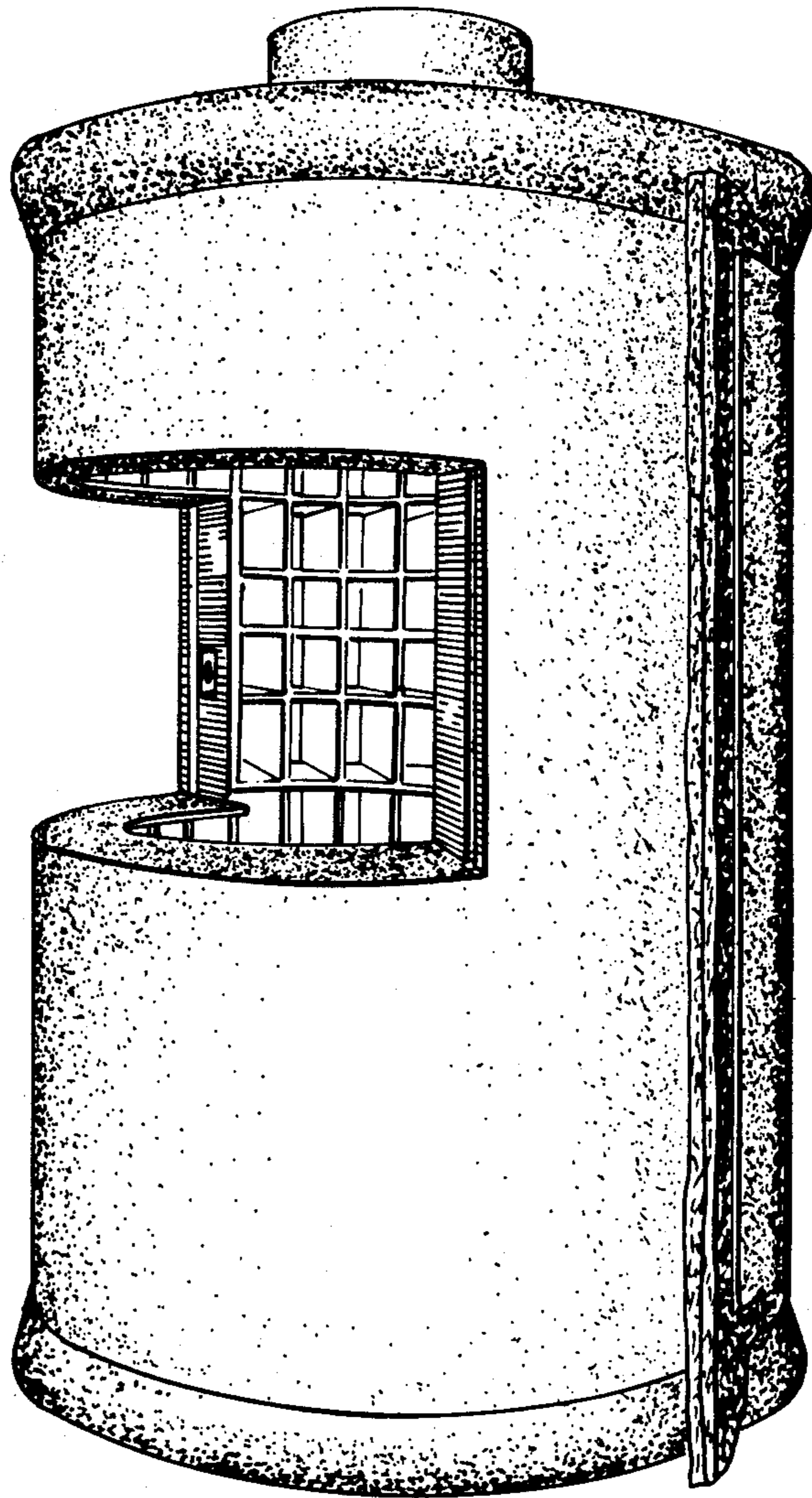


FIG. 2

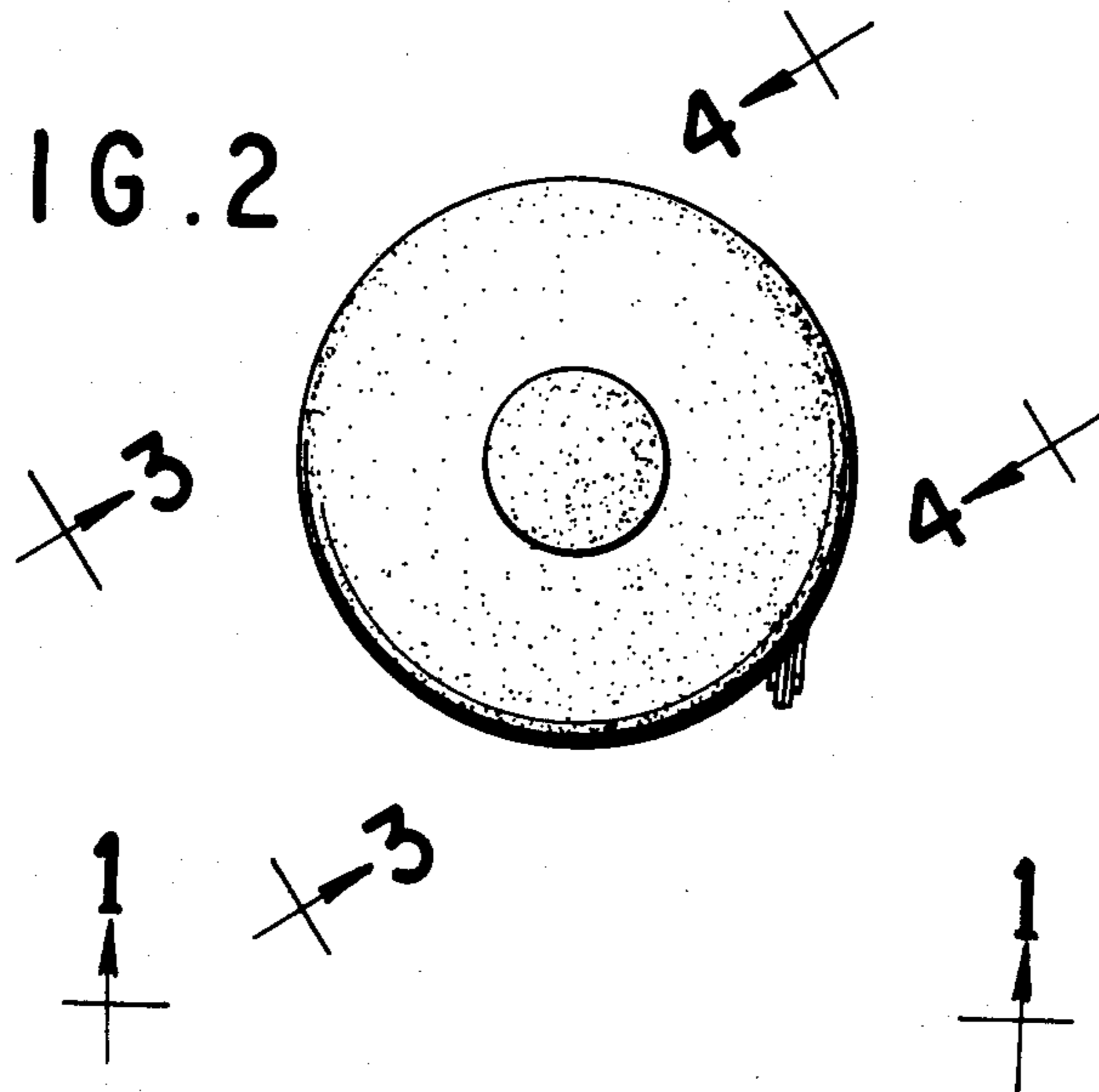


FIG. 3

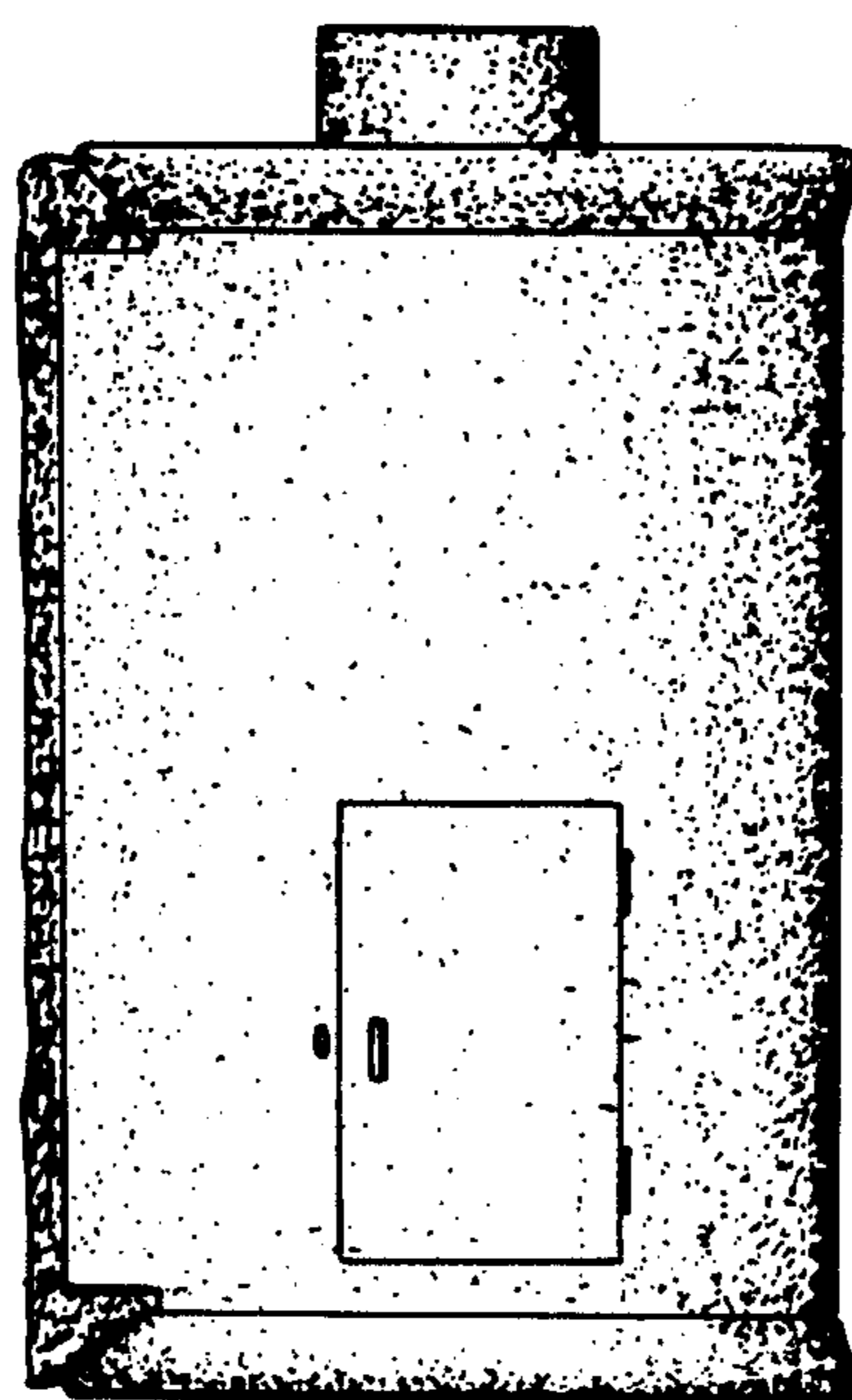
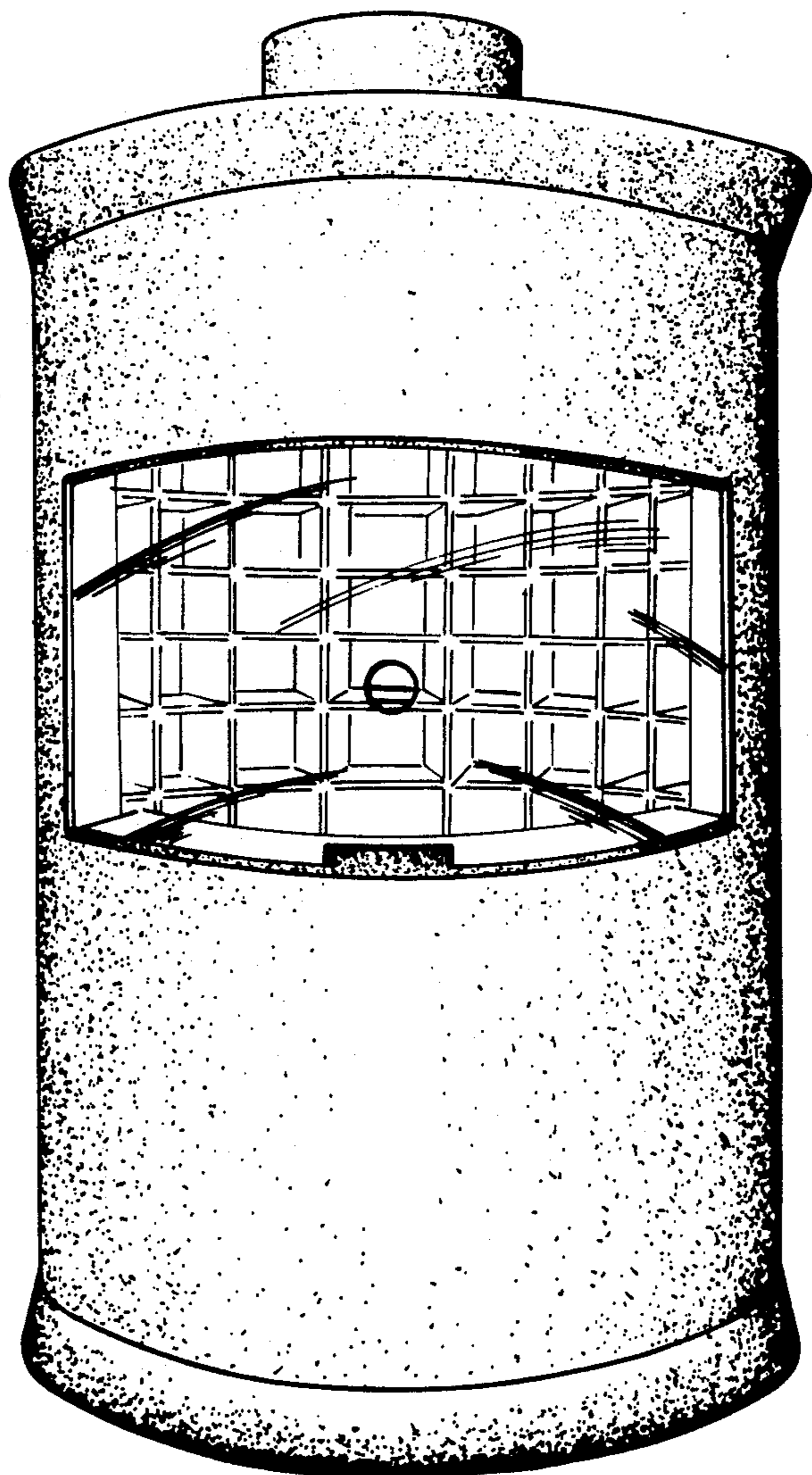


FIG. 4