

[54] **HYDROTHERAPY POOL**
[75] **Inventor:** Russell A. Moltke, Spokane, Wash.
[73] **Assignee:** Holiday Pools Corporation, Spokane, Wash.

[**] **Term:** 14 Years

[21] **Appl. No.:** 798,434

[22] **Filed:** May 19, 1977

[51] **Int. Cl.** D24—01

[52] **U.S. Cl.** D24/38

[58] **Field of Search** D23/55; D25/2; D24/38;
4/173, 180, 172.15; 128/366

[56] **References Cited**

U.S. PATENT DOCUMENTS

D. 208,904 10/1967 Gersh et al. D25/2

D. 226,405 2/1973 Jacuzzi et al. D23/55 X
D. 234,547 3/1975 Nicollet D24/38
D. 244,314 5/1977 Stangle D24/38
3,688,775 9/1972 Raymann 128/366
3,952,338 4/1976 Traxclair 4/172.15

Primary Examiner—Bernard Ansher
Attorney, Agent, or Firm—Greek Wells

[57] **CLAIM**

The ornamental design for a hydrotherapy pool, as shown and described.

DESCRIPTION

FIG. 1 is a perspective view of a pool, the bottom surfaces being plane and unornamented;
FIG. 2 is a top plan view thereof;
FIG. 3 is a side elevation view, both sides being identical; and
FIG. 4 is an end elevation view, both ends being identical.

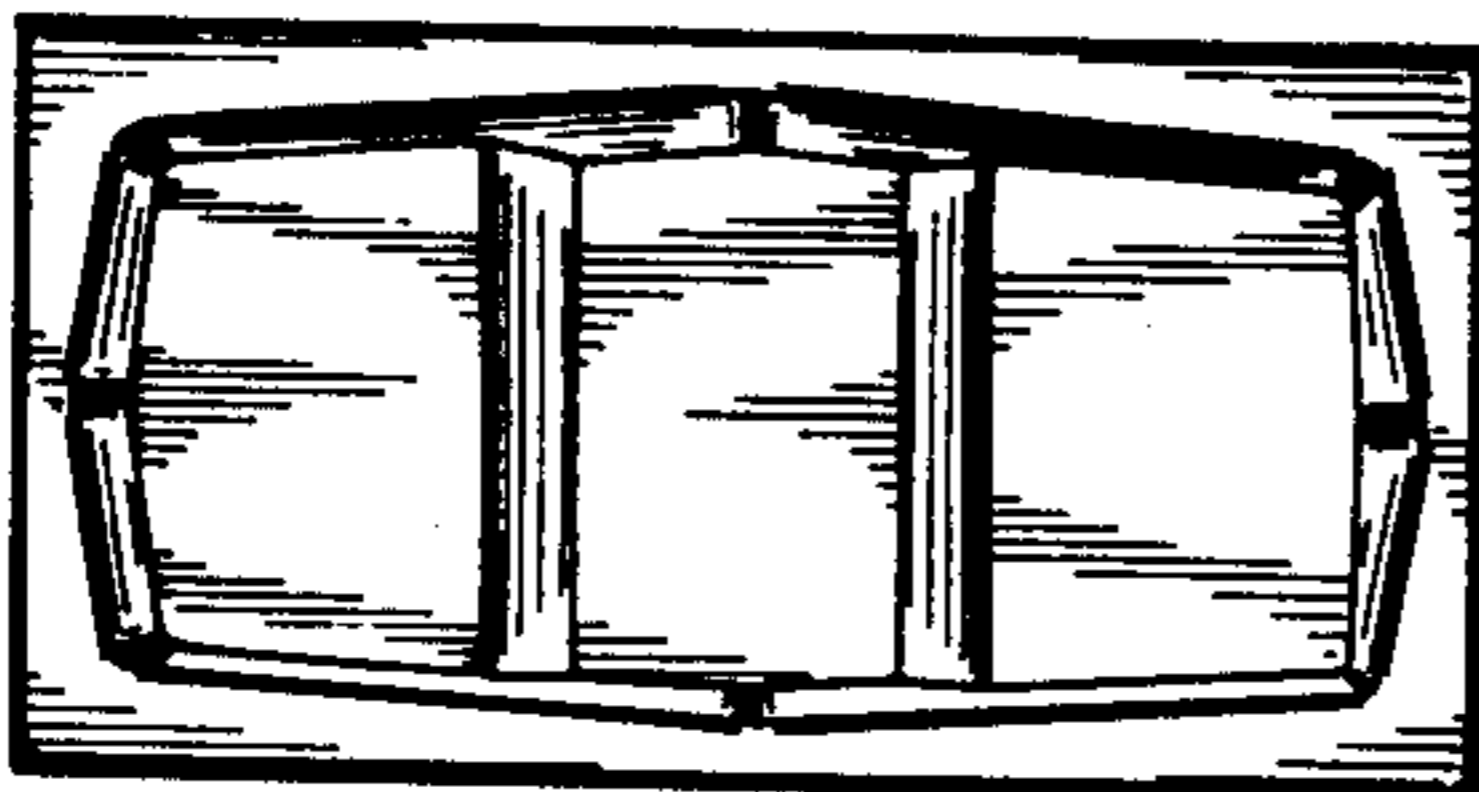
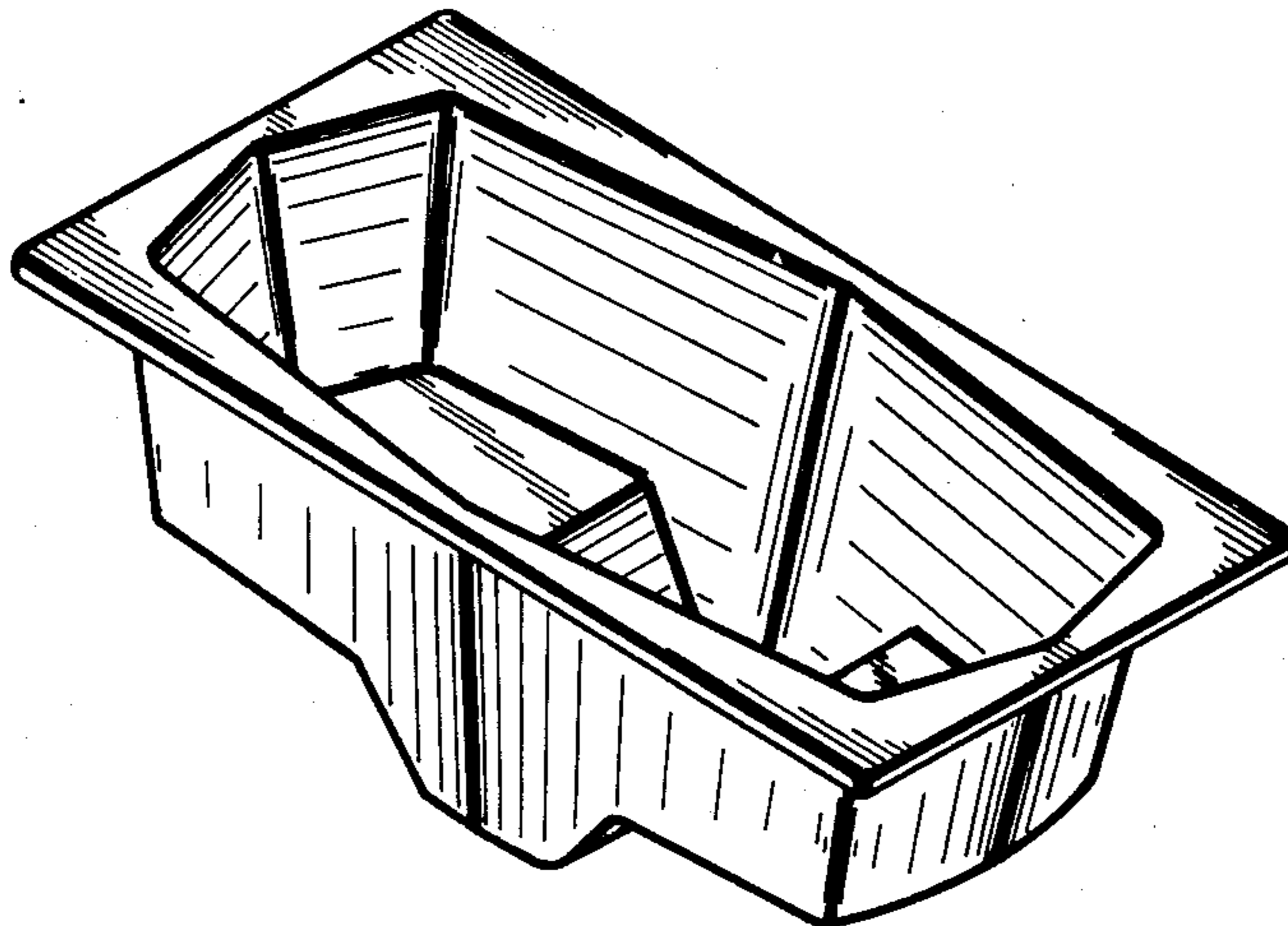


FIG. 1

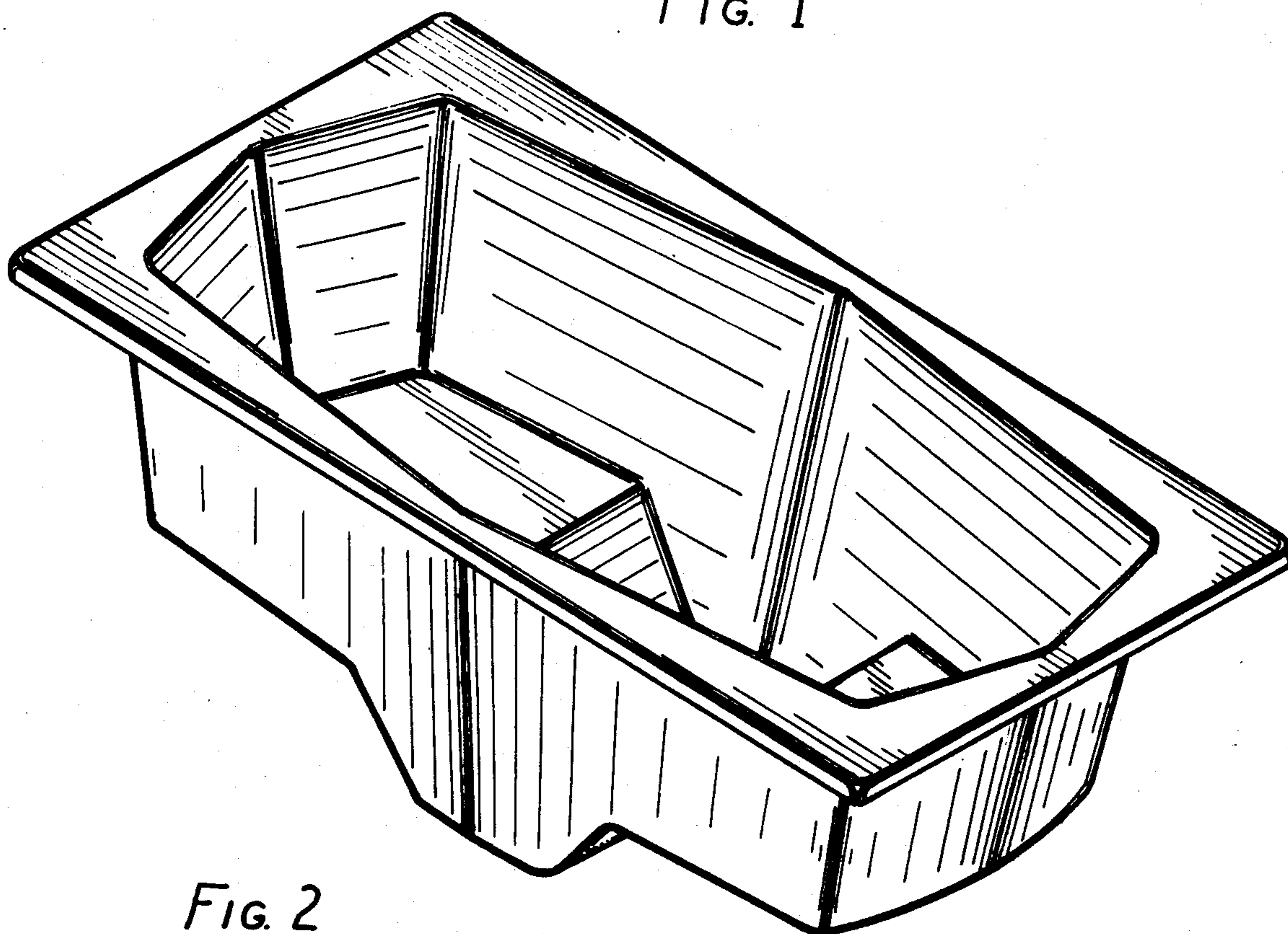


FIG. 2

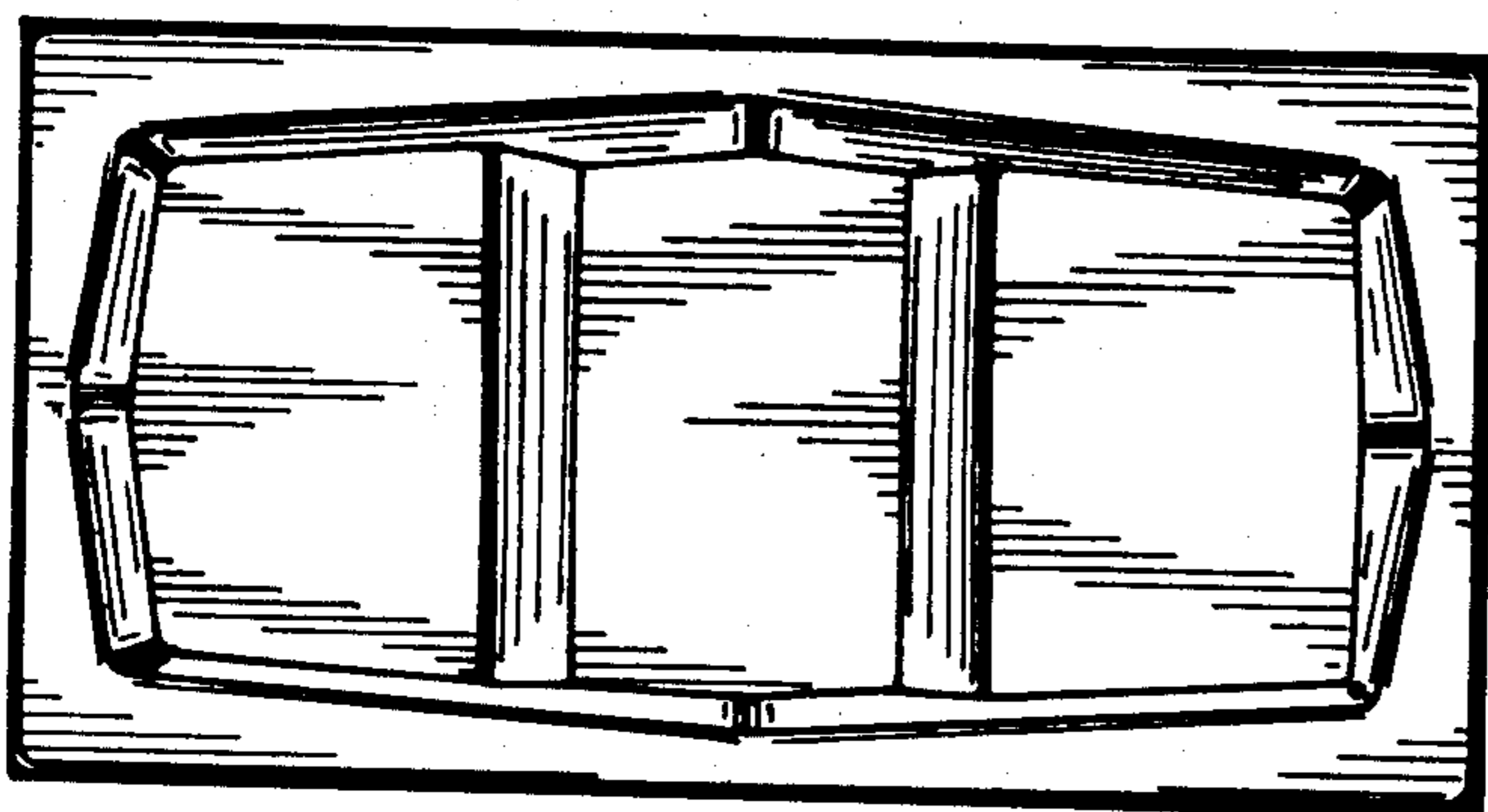


FIG. 3

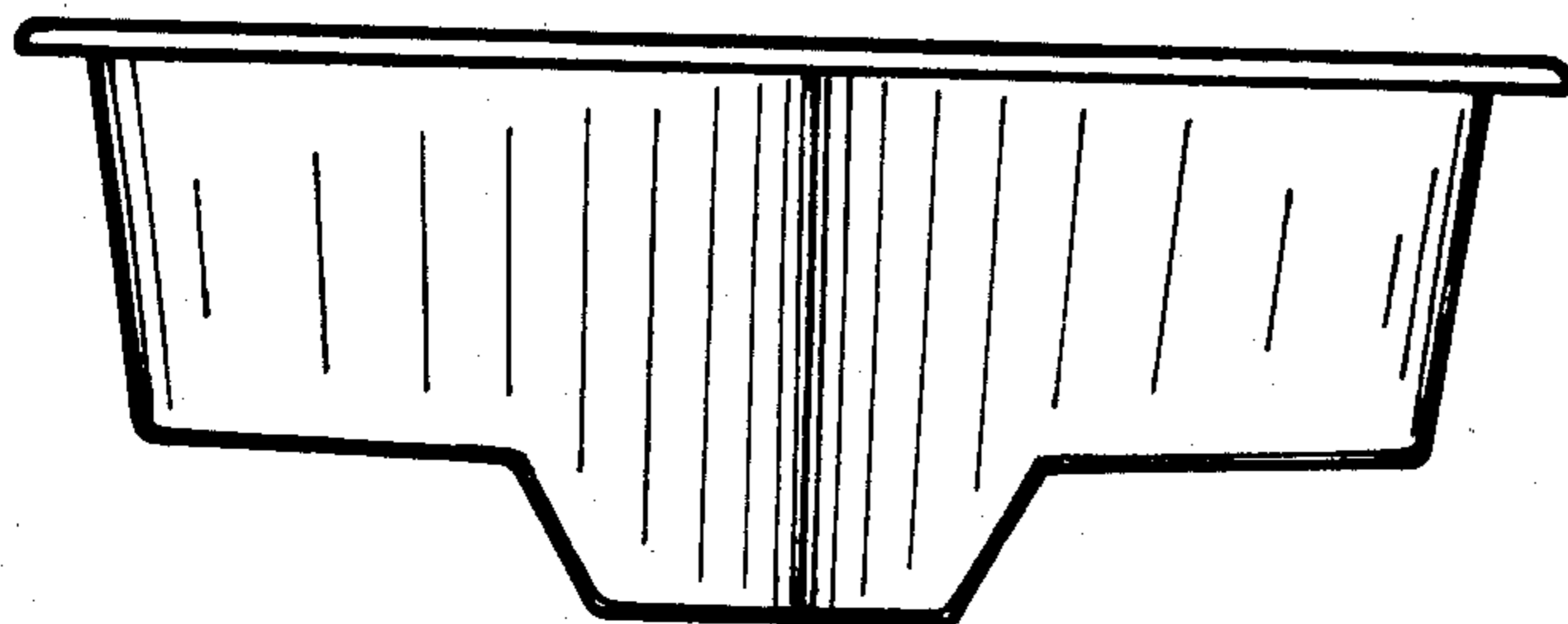


FIG. 4

