

[54] HANDLE FOR UROLOGICAL INSTRUMENT

3,939,840 2/1976 Storz ..... 128/303.15  
3,990,456 11/1976 Iglesias ..... 128/303.15

[75] Inventors: Charles D. Cawood, Jr., Houston, Tex.; Michael H. Ekinaka, Irvine, Calif.; John S. Ziegler, Arlington Heights; Maceo W. Walker, Maywood, both of Ill.

FOREIGN PATENT DOCUMENTS

466115 6/1950 Canada ..... 128/6

[73] Assignee: American Hospital Supply Corporation

OTHER PUBLICATIONS

V. Mueller and Company, © 1963, p. 277, McCarthy Multiple Electromes, item A, Gu-7030.  
V. Mueller and Company, © 1963, p. 278, Iglesias Resectoscopes, item A, GU-7050.

[\*\*] Term: 14 Years

Primary Examiner—Bernard Ansher

[21] Appl. No.: 766,858

[57] CLAIM

[22] Filed: Feb. 9, 1977

The ornamental design for a handle for urological instrument, substantially as shown.

[51] Int. Cl. .... D24-02

DESCRIPTION

[52] U.S. Cl. .... D24/18; D24/23

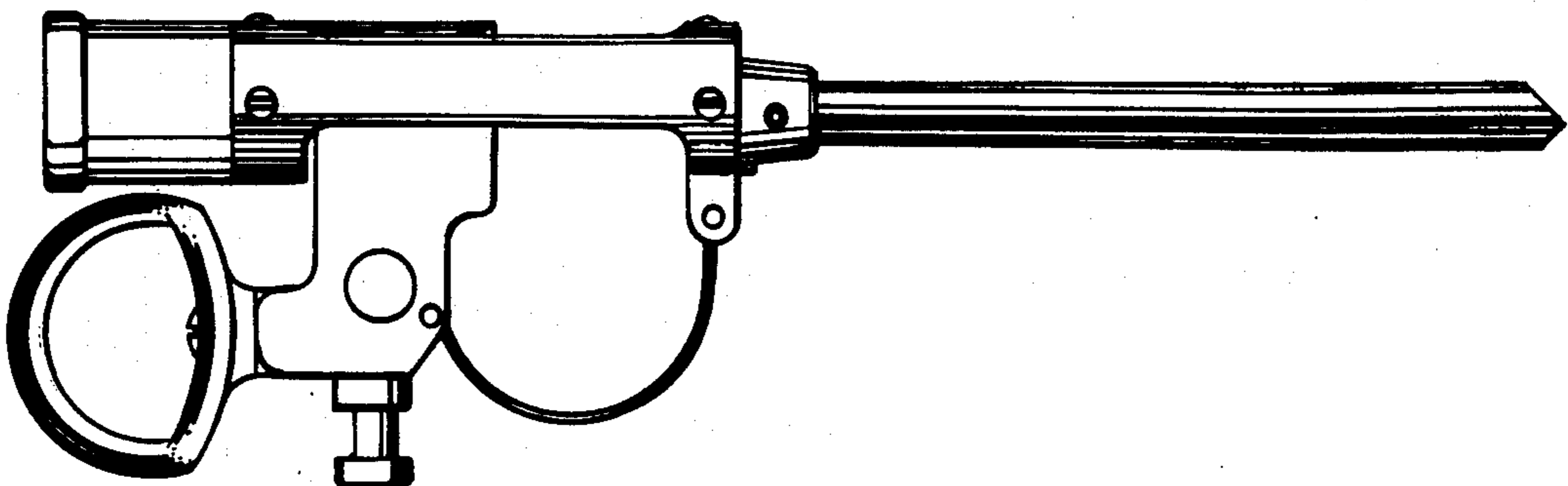
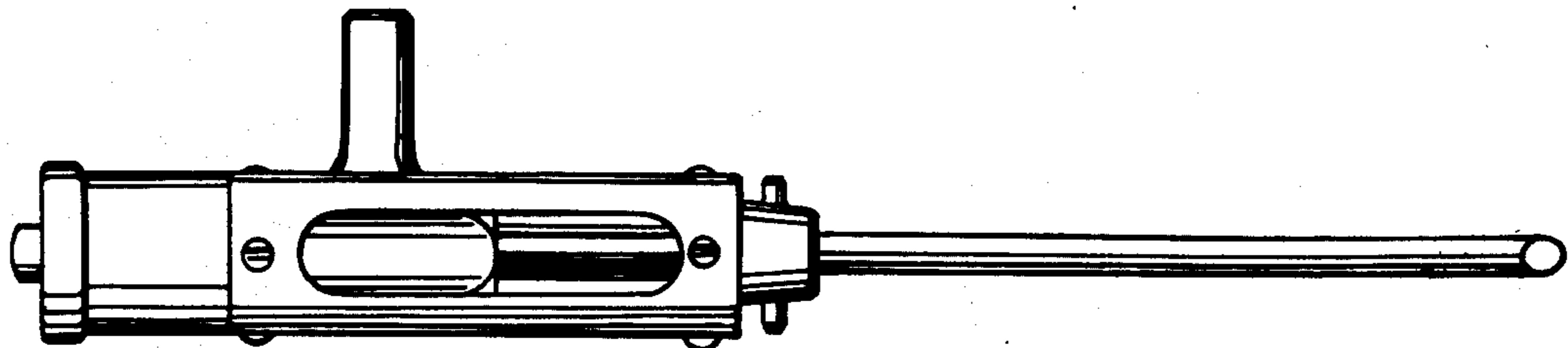
[58] Field of Search ..... D24/18, 23; 128/303.15, 128/6, 7, 303.17, 2 M; 264/259

FIG. 1 is a top plan view of a handle for a urological instrument showing our new design;  
FIG. 2 is a side elevational view thereof;  
FIG. 3 is a rear elevational view thereof;  
FIG. 4 is an opposite side elevational view thereof;  
FIG. 5 is a bottom plan view thereof; and  
FIG. 6 is a front end elevational view thereof.

[56] References Cited

U.S. PATENT DOCUMENTS

D. 177,883 5/1956 Streifeneder ..... D24/18  
D. 185,398 6/1959 Todt, Jr. .... D24/18  
D. 236,034 7/1975 Geraci ..... D24/23



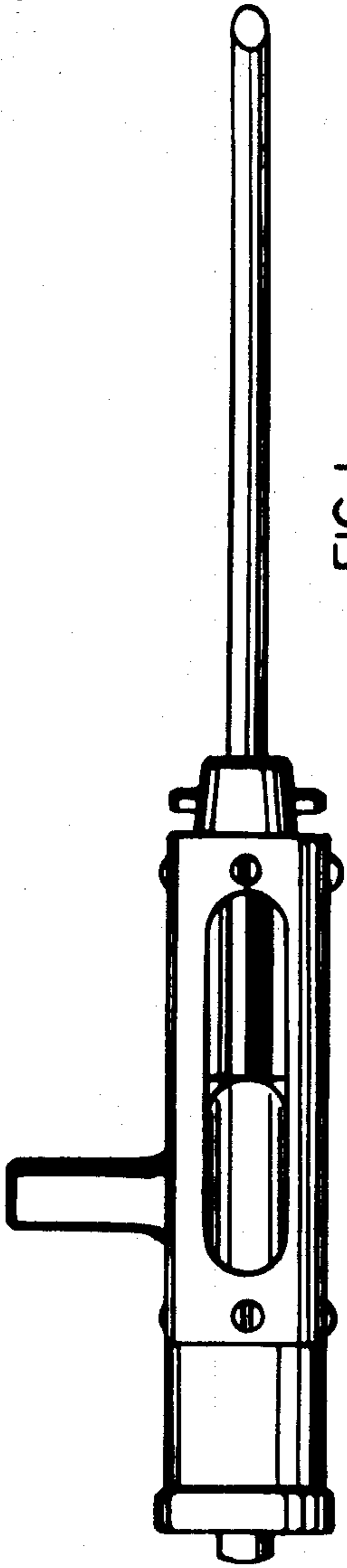


FIG. 1

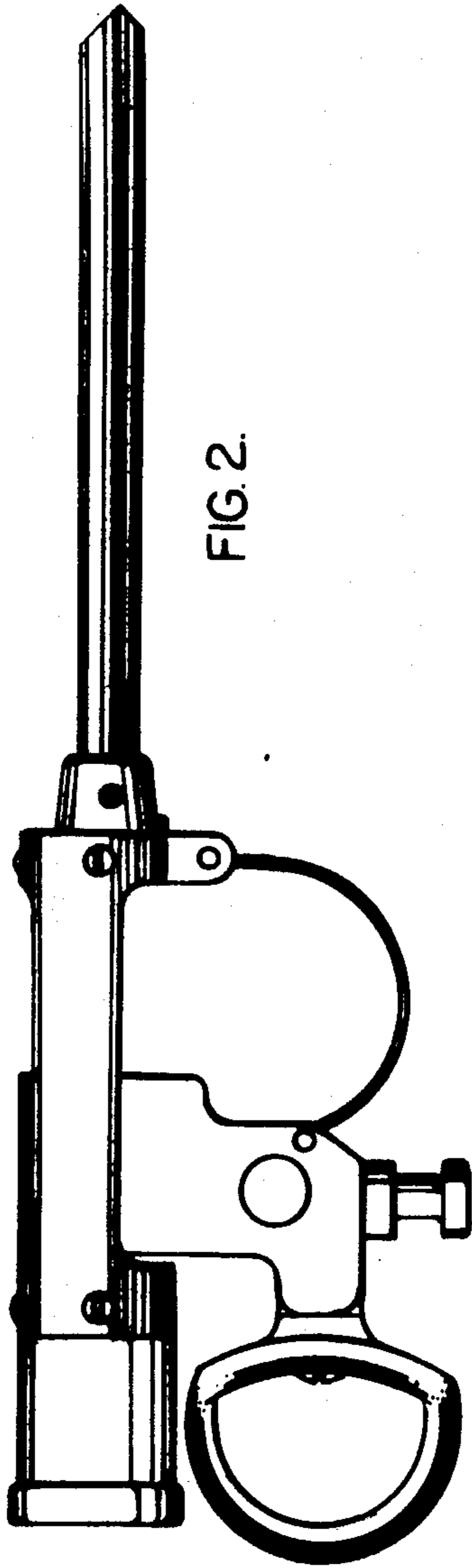


FIG. 2

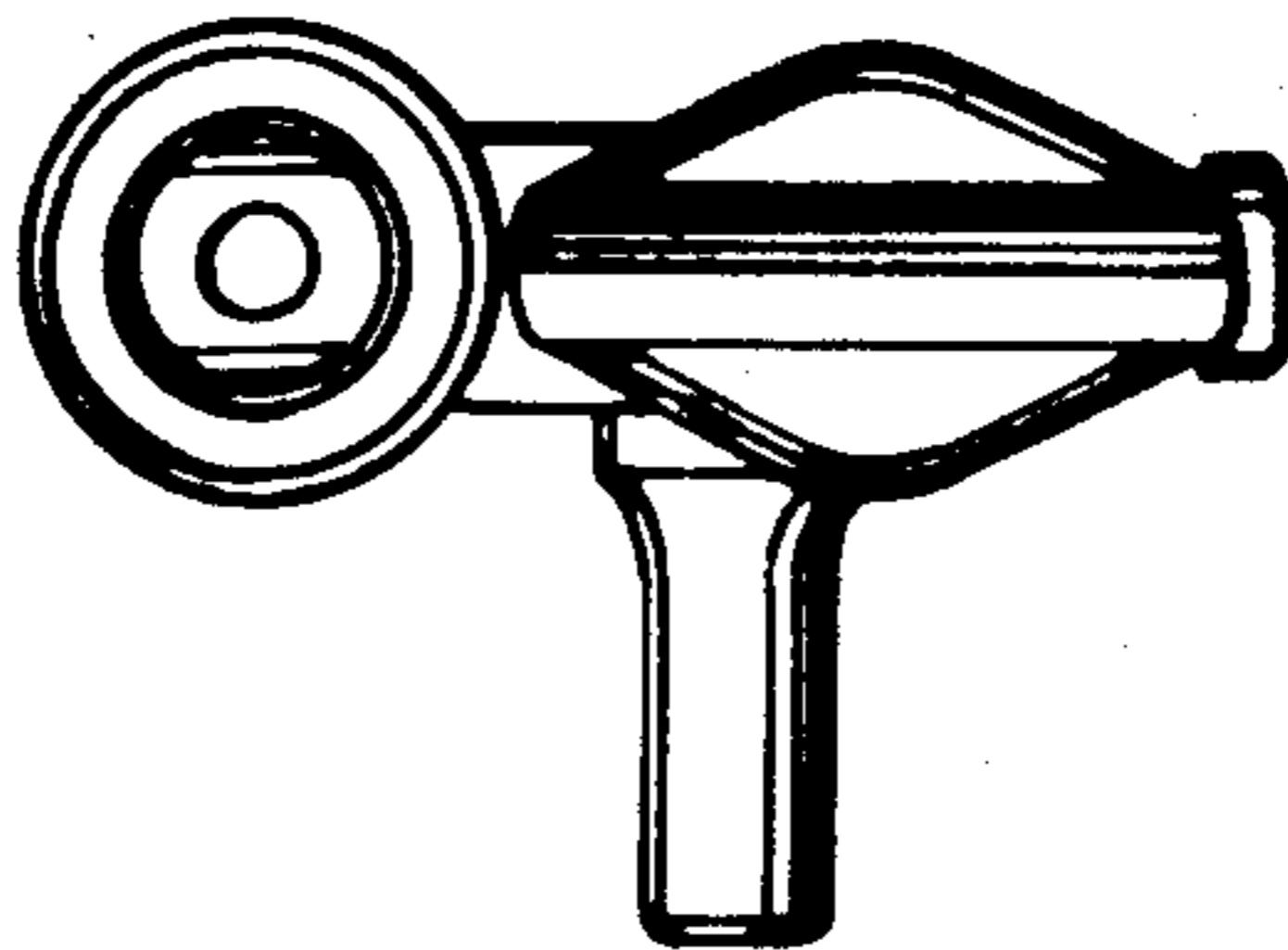


FIG. 3

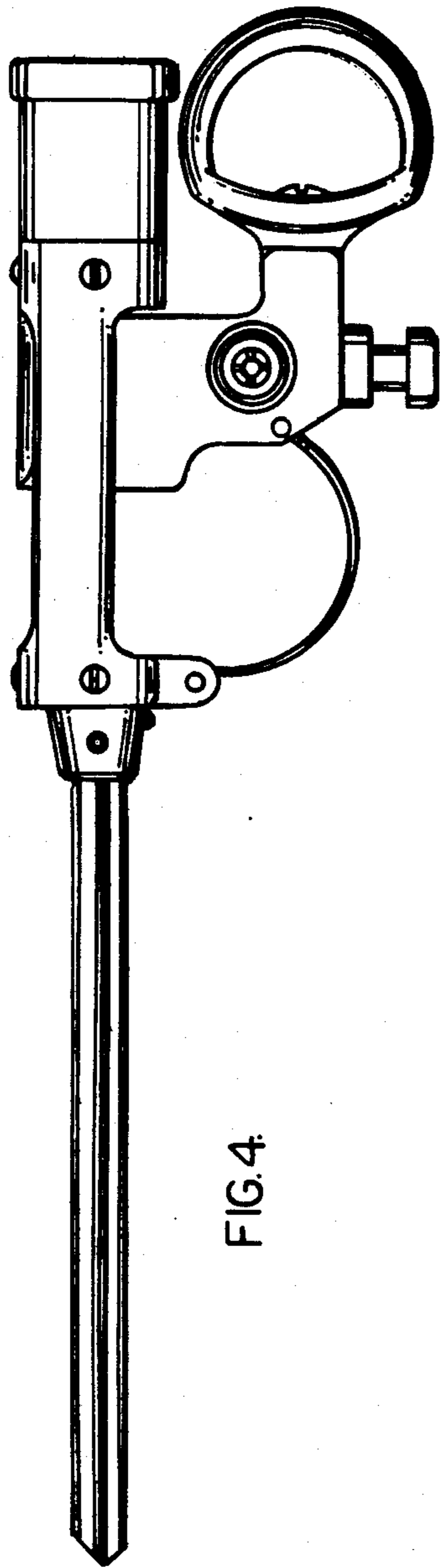


FIG. 4.

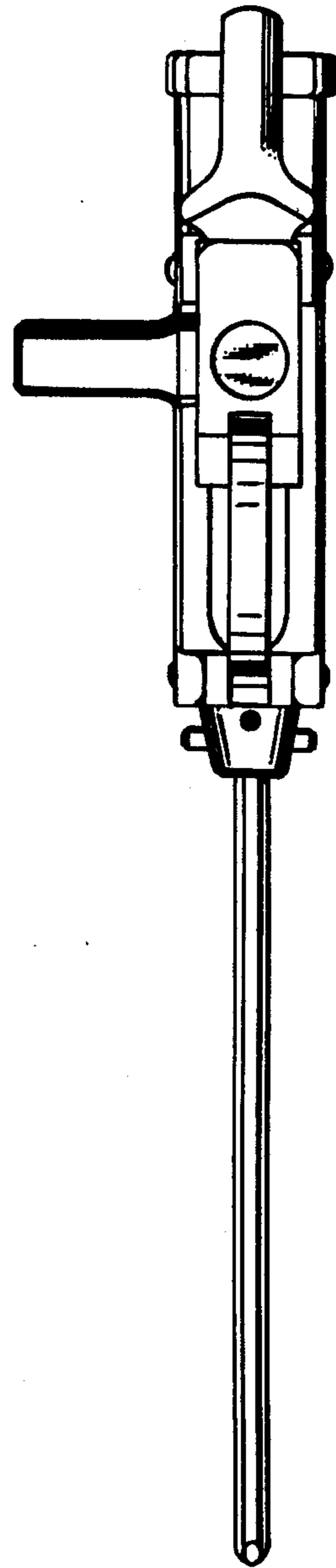


FIG. 5.

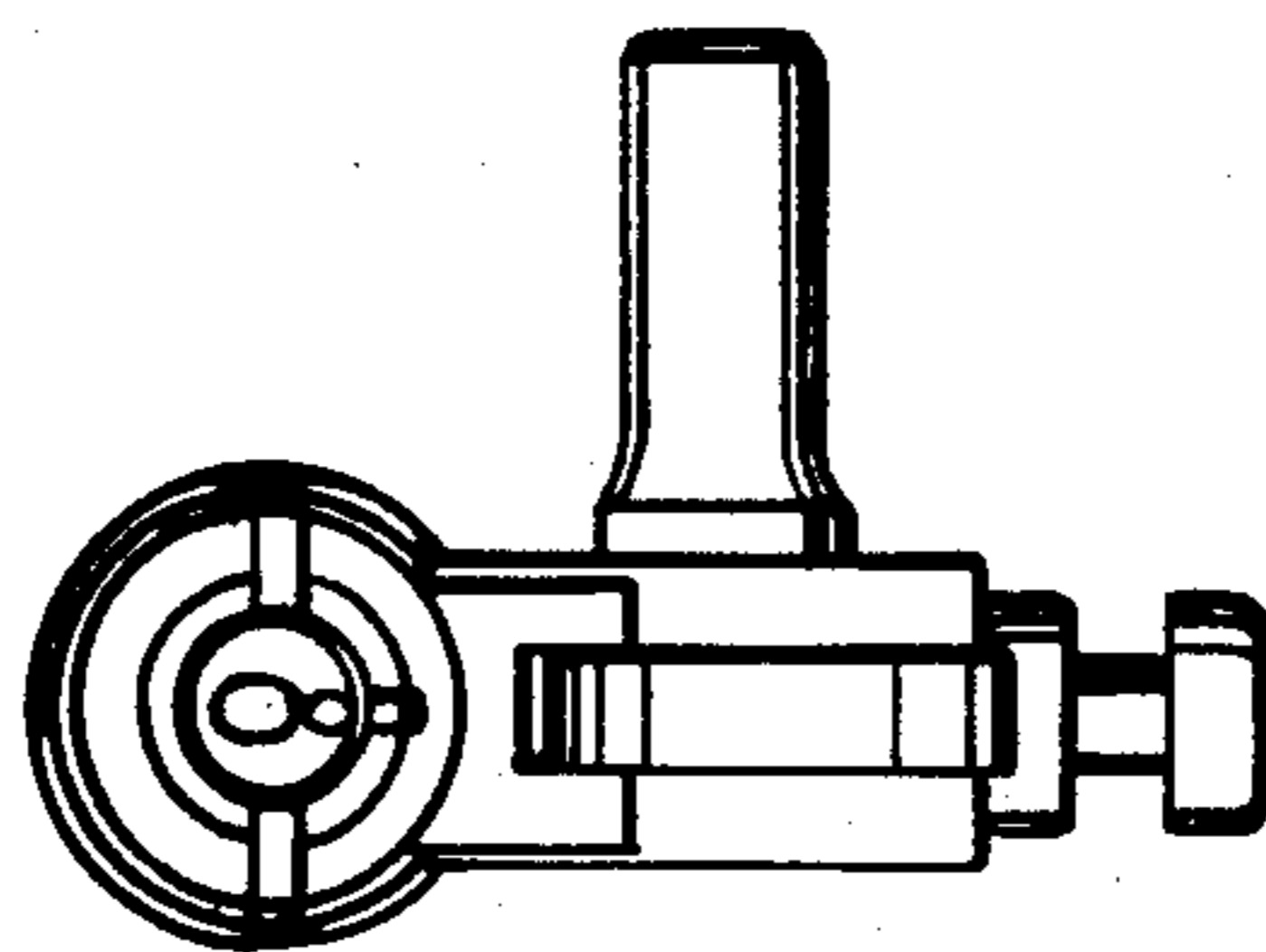


FIG. 6.