

[54] **LIQUID PROPANE LINE FILTER**
[76] **Inventor: Phillip Kuykendall, 1001 Shoshone, Reno, Nev. 89512**
[**] **Term: 14 Years**
[21] **Appl. No.: 693,813**
[22] **Filed: Jun. 7, 1976**
[51] **Int. Cl. D23—01**
[52] **U.S. Cl. D23/4**
[58] **Field of Search D23/1-4; 210/444, 446-448**

D. 230,735 3/1977 Lents D23/4
2,955,712 10/1960 Gutkowski 210/444

Primary Examiner—James R. Largen
Attorney, Agent, or Firm—Herbert C. Schulze

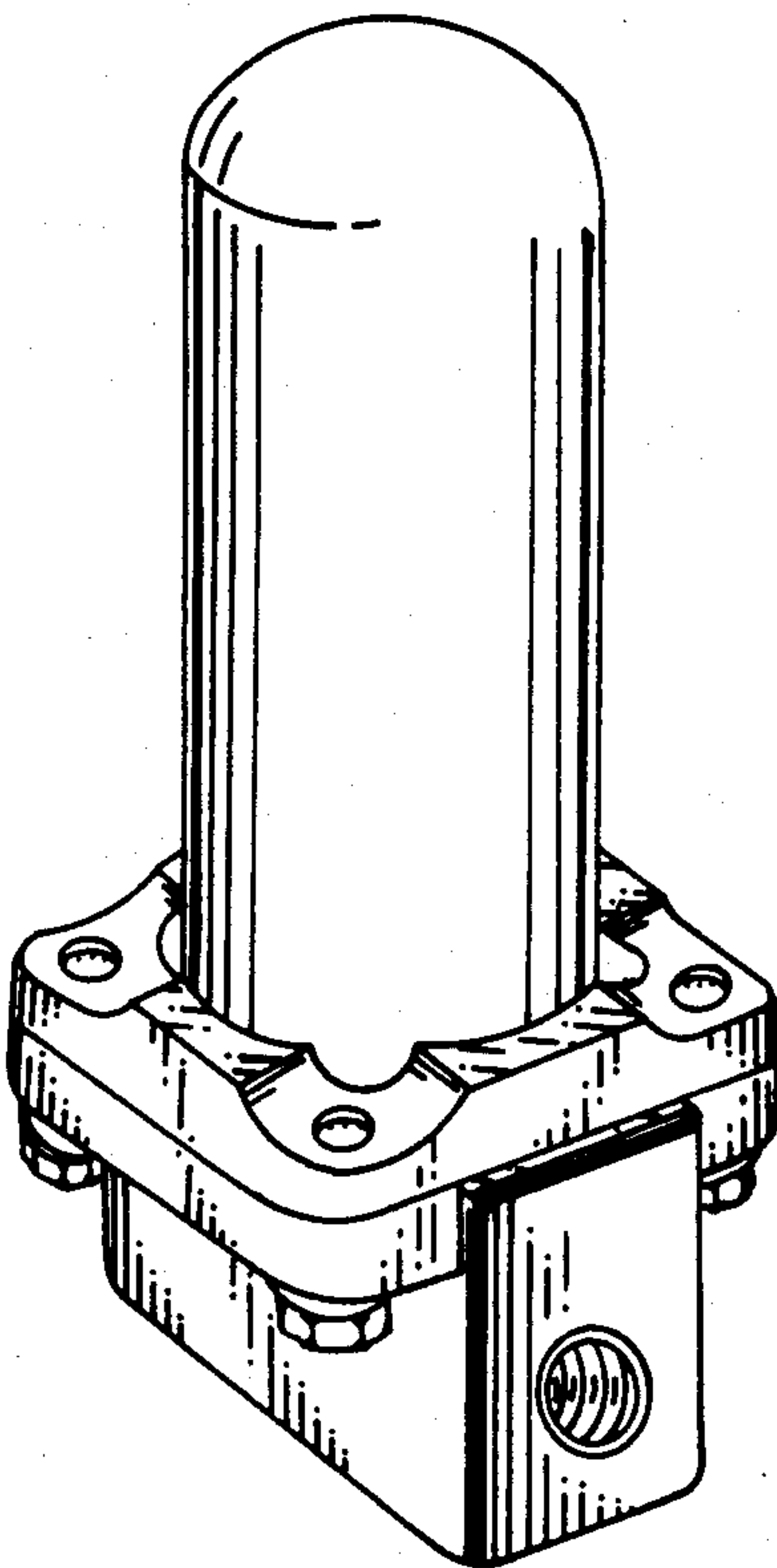
[57] **CLAIM**

The ornamental design for a liquid propane line filter, as shown.

DESCRIPTION

FIG. 1 is a perspective view taken from the top, front and left side of a liquid propane line filter showing my new design;
FIG. 2 is a perspective view taken from the bottom, front and right side thereof;
FIG. 3 is a perspective view taken from the bottom, rear and left side thereof; and
FIG. 4 is a perspective view taken from the top, rear and right side thereof.

[56] **References Cited**
U.S. PATENT DOCUMENTS
D. 188,688 8/1960 Sicard D23/4
D. 220,263 3/1971 Hughes D23/4
D. 221,850 9/1971 Anderson D23/4



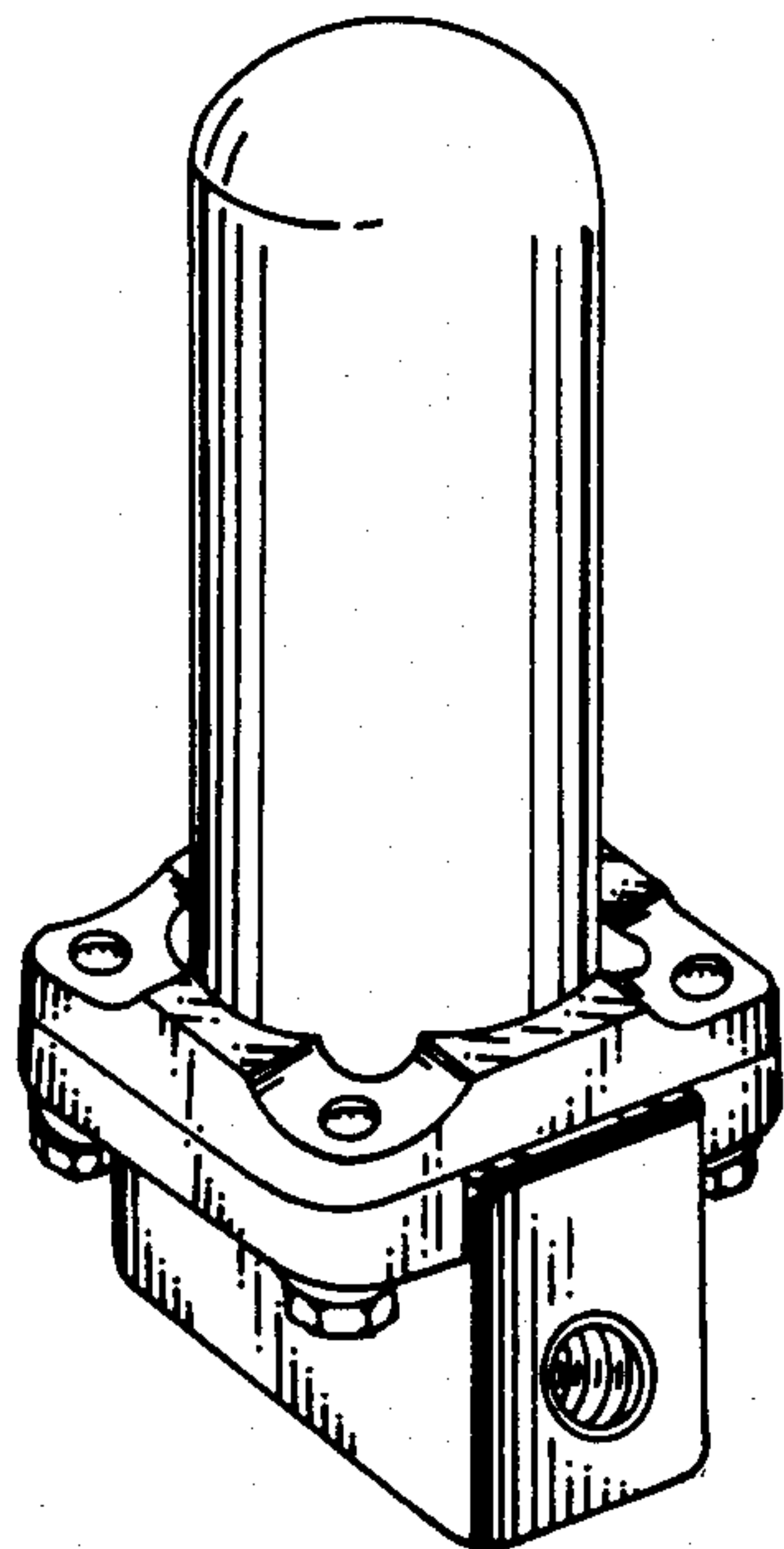


FIG. 1

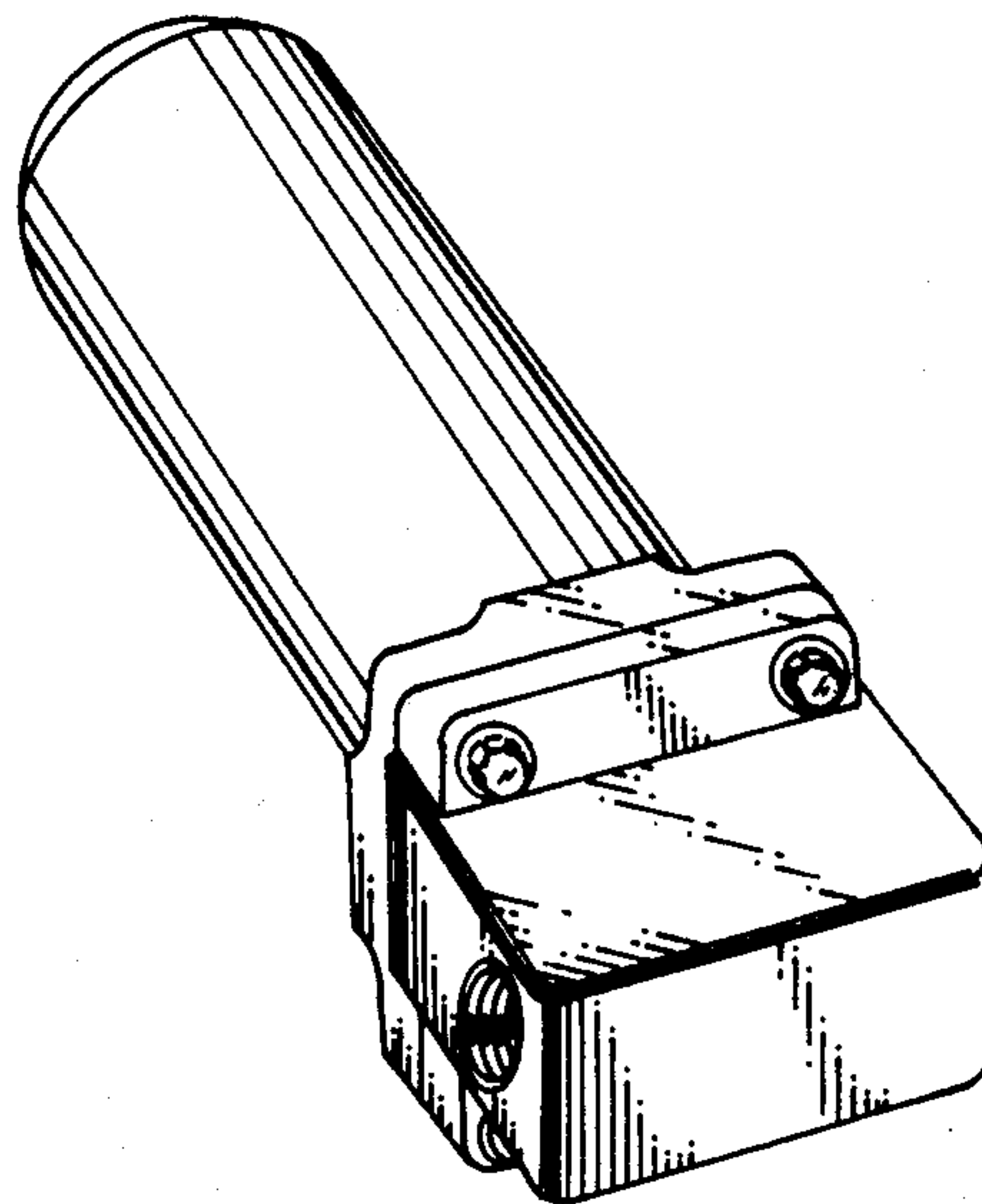


FIG. 2

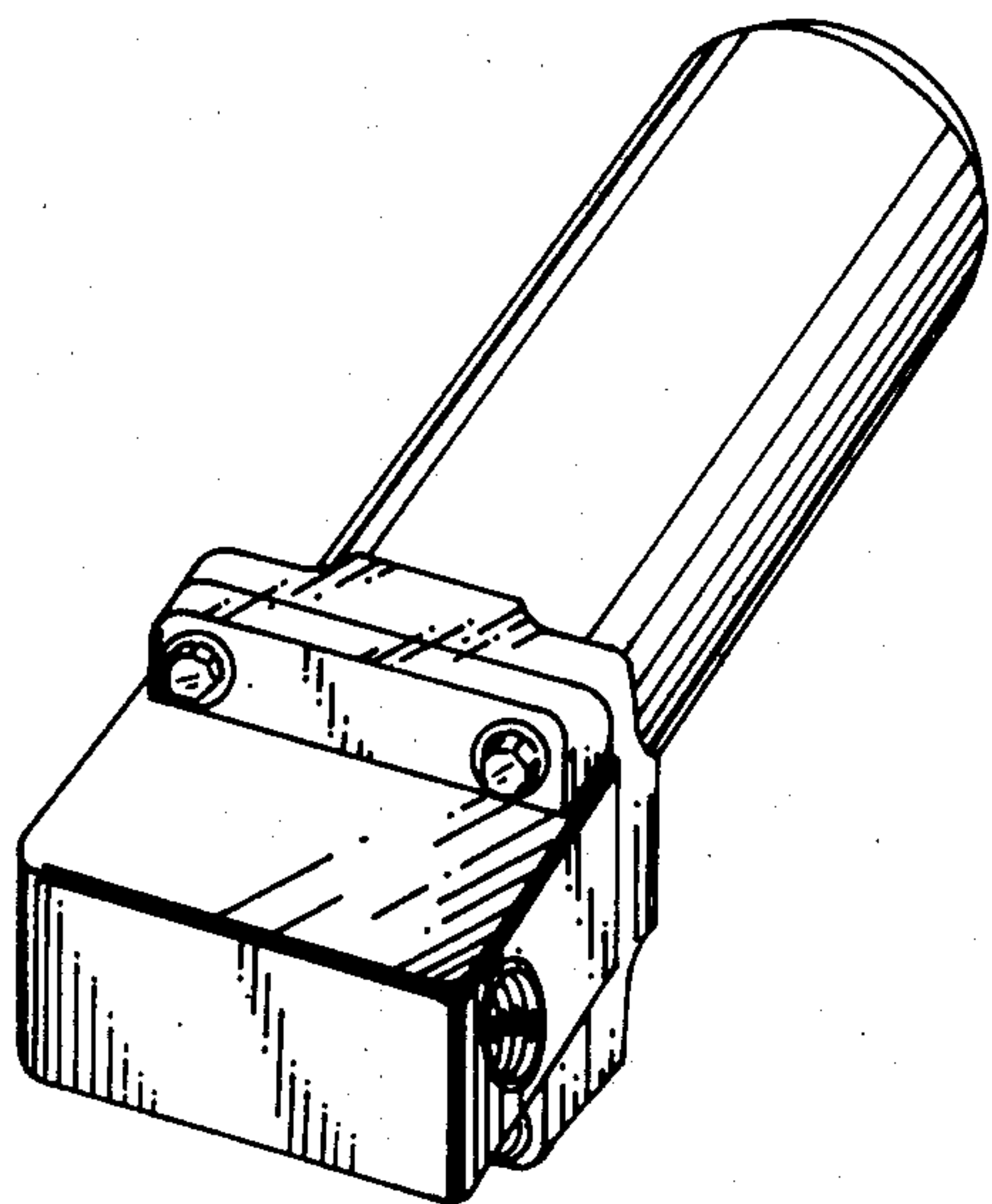


FIG. 3

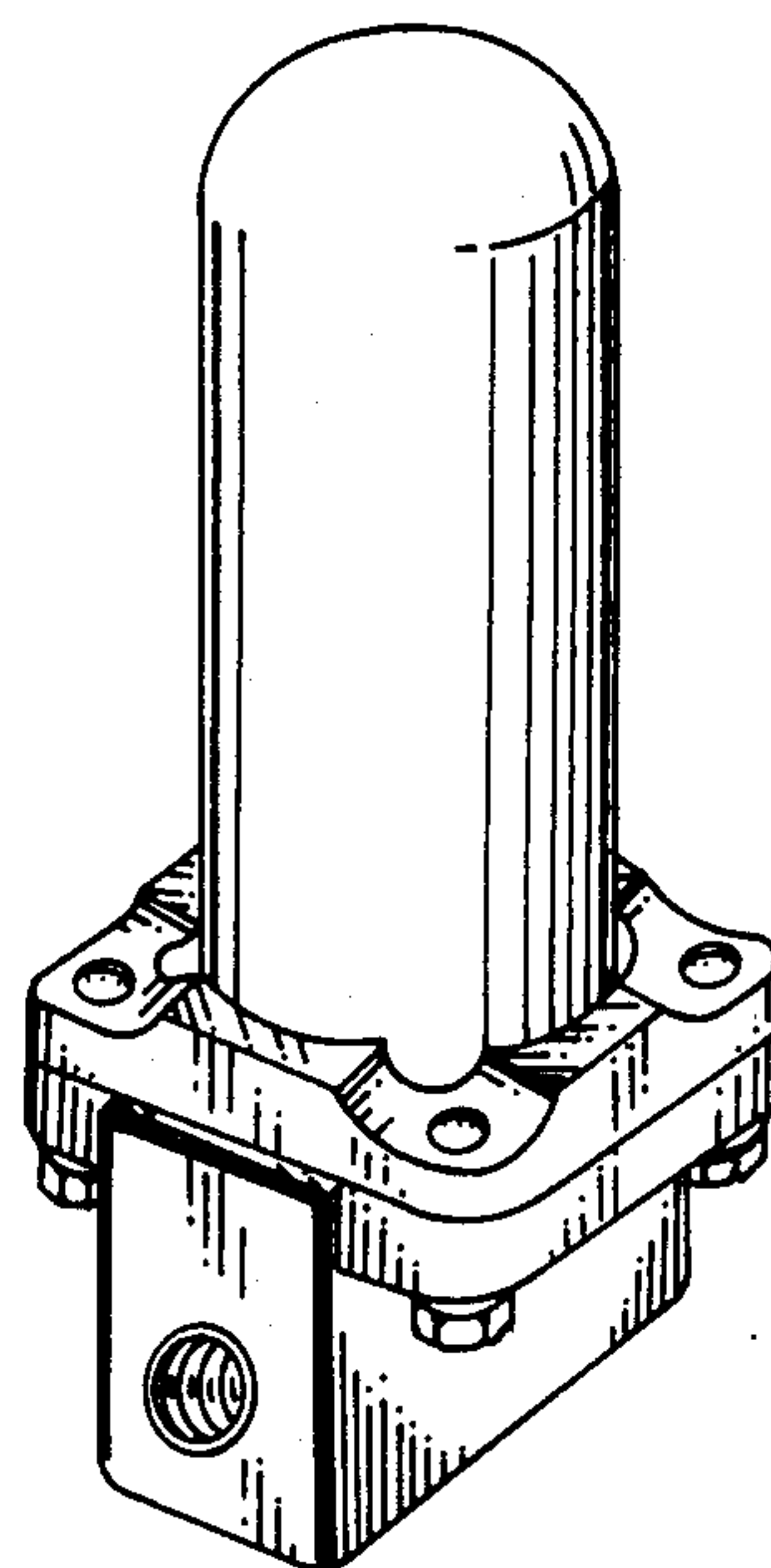


FIG. 4