

[54] PAPER PUNCH

[75] Inventor: Francis W. MacGregor, New Britain, Conn.

[73] Assignee: Hunt Manufacturing Co., Philadelphia, Pa.

[\*\*] Term: 14 Years

[21] Appl. No.: 814,293

[22] Filed: Jul. 11, 1977

[51] Int. Cl. .... D19-02

[52] U.S. Cl. .... D19/72

[58] Field of Search ..... D19/72; 83/30, 467, 83/633

[56] References Cited

U.S. PATENT DOCUMENTS

D. 144,601	4/1946	Yerkes .....	D19/72
D. 152,283	1/1949	Misson .....	D19/72
D. 183,155	7/1958	Aleks .....	D19/72
D. 193,231	7/1962	Klein .....	D19/72

Primary Examiner—Joel Stearman  
Assistant Examiner—George P. Word  
Attorney, Agent, or Firm—George J. Harding, III

[57] CLAIM

The ornamental design for a paper punch, as shown.

DESCRIPTION

FIG. 1 is a top plan view of a paper punch showing my new design;

FIG. 2 is a left side elevational view thereof;

FIG. 3 is a right side elevational view thereof;

FIG. 4 is a bottom plan view thereof;

FIG. 5 is a front elevational view thereof; and

FIG. 6 is a rear elevational view thereof.

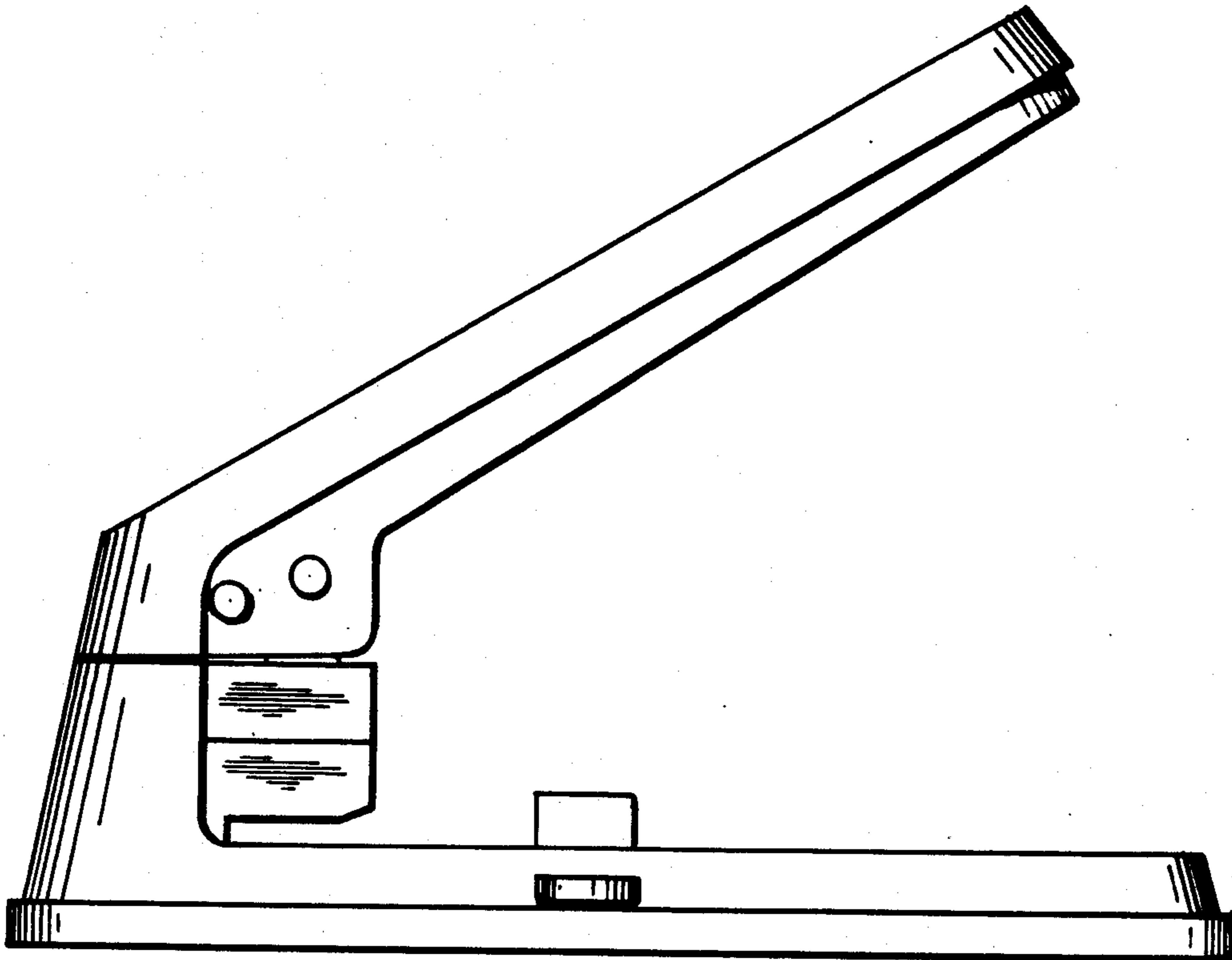


FIG. 1.

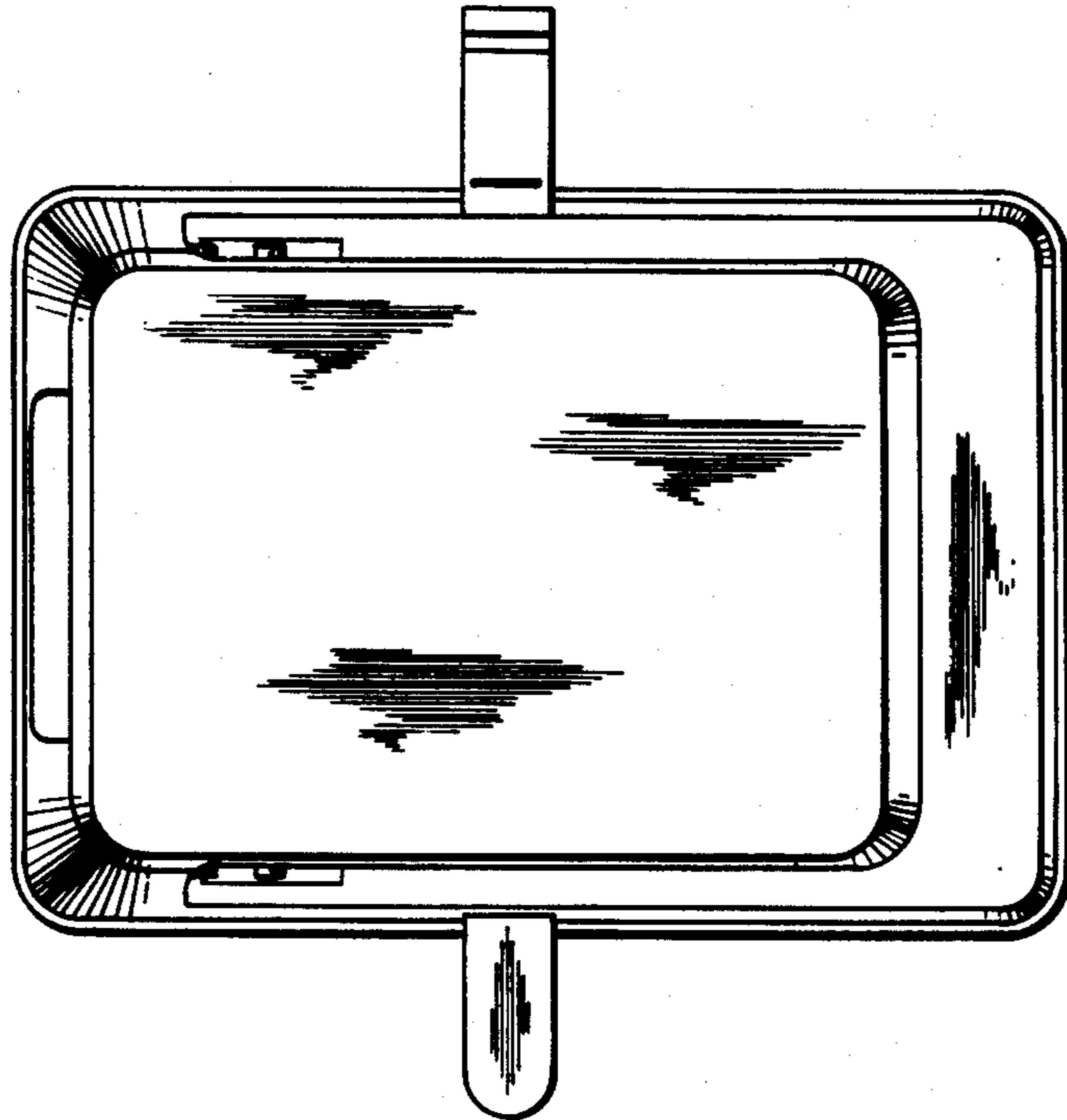


FIG. 2.

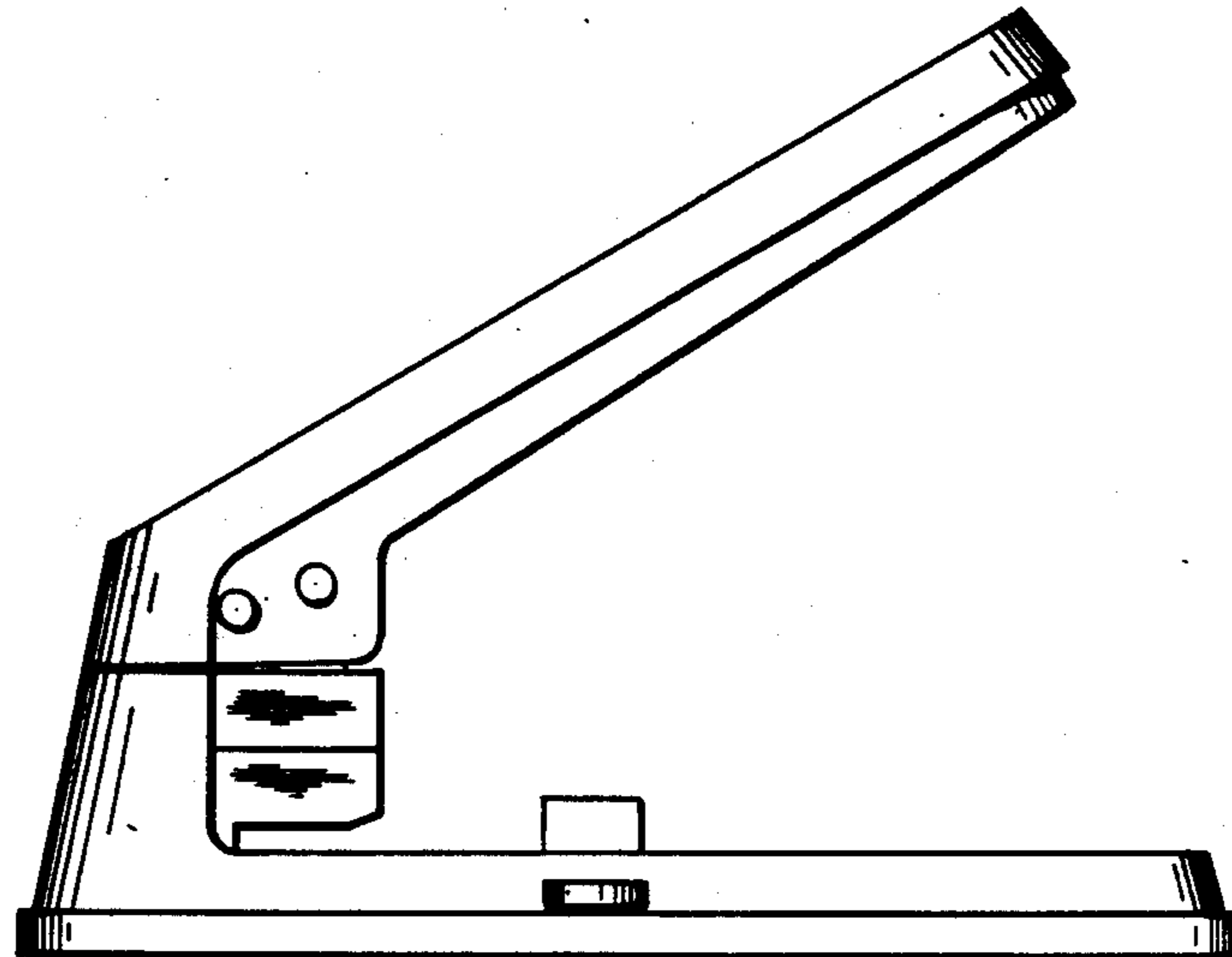


FIG. 3.

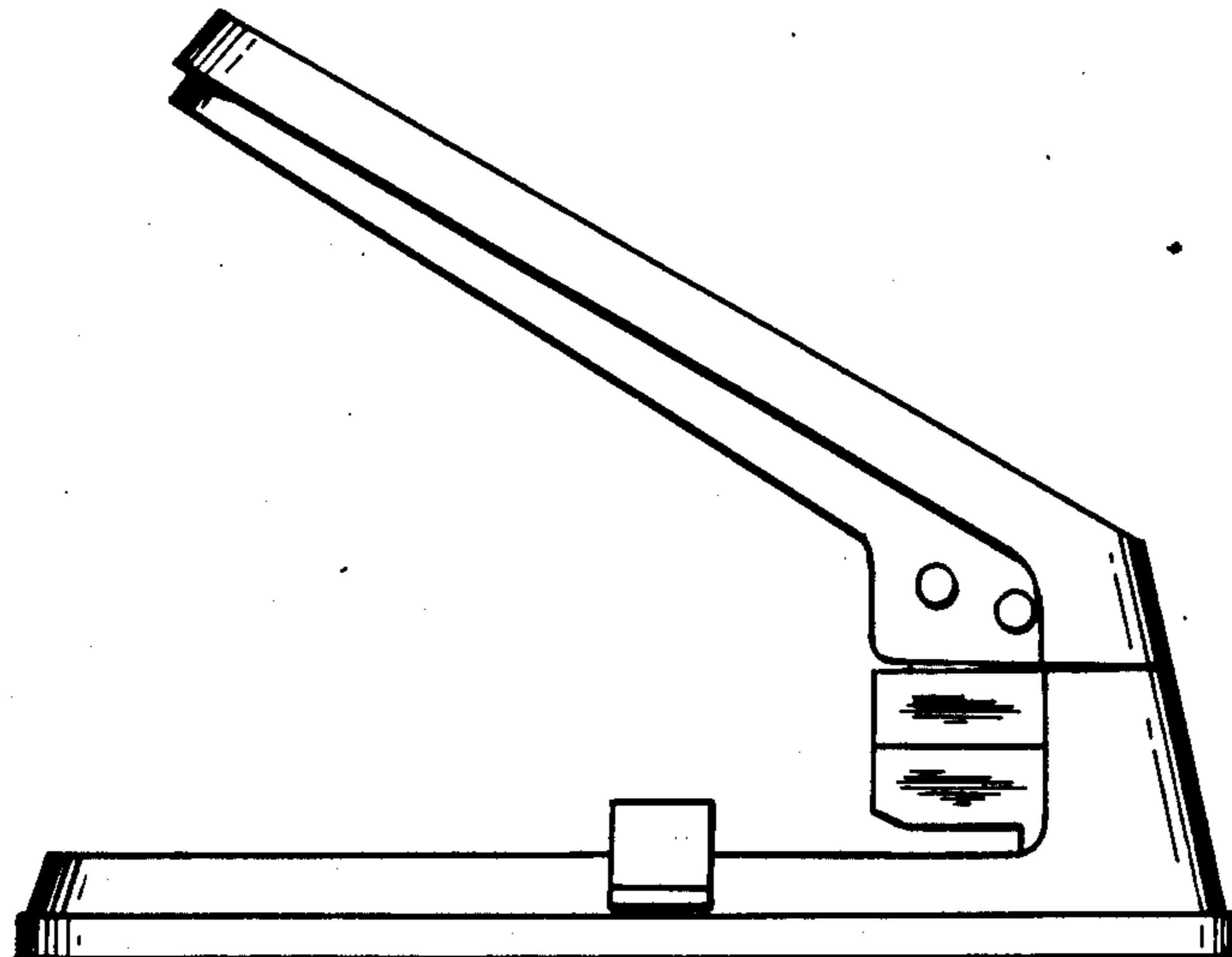


FIG. 4.

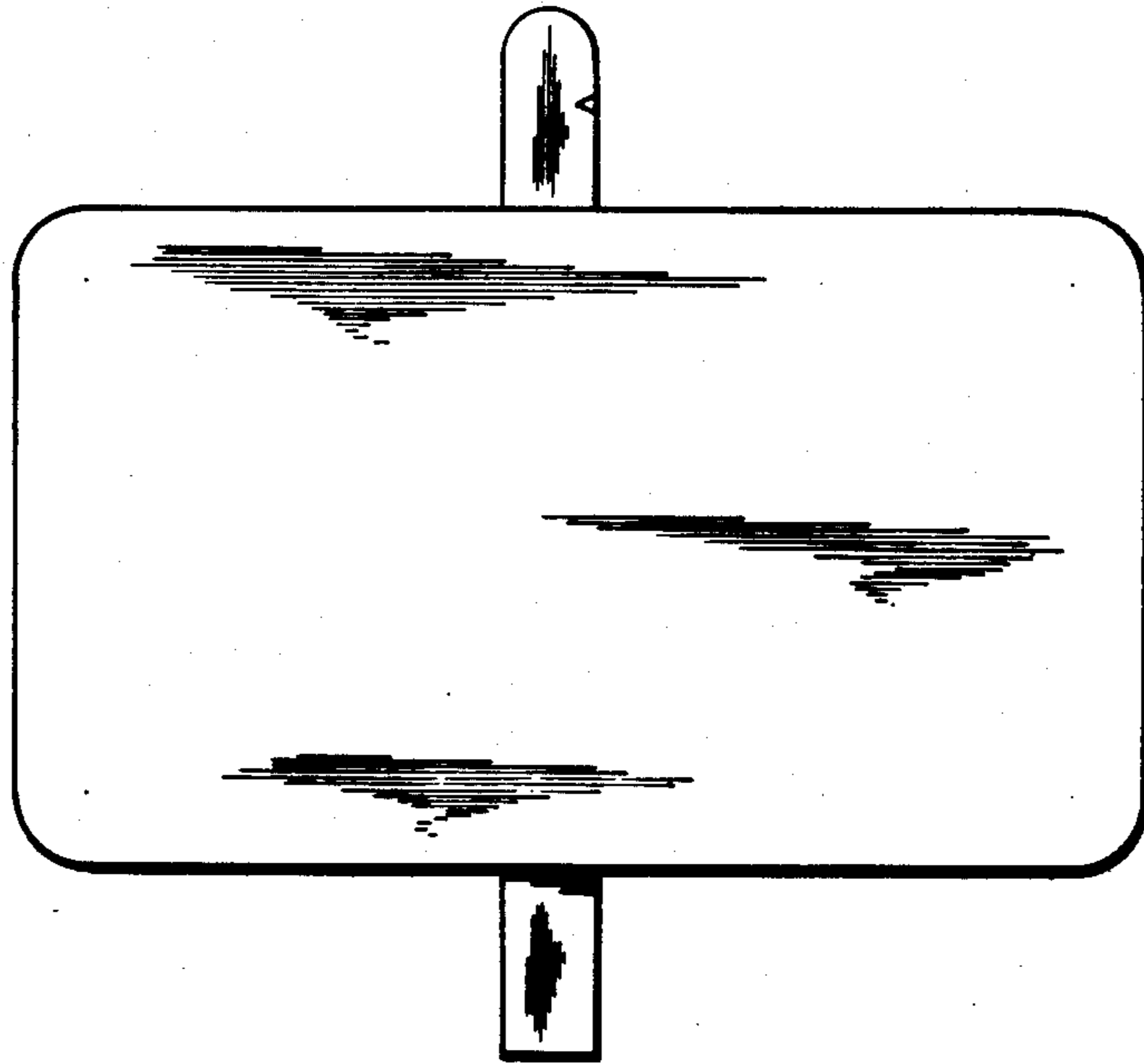


FIG. 5.

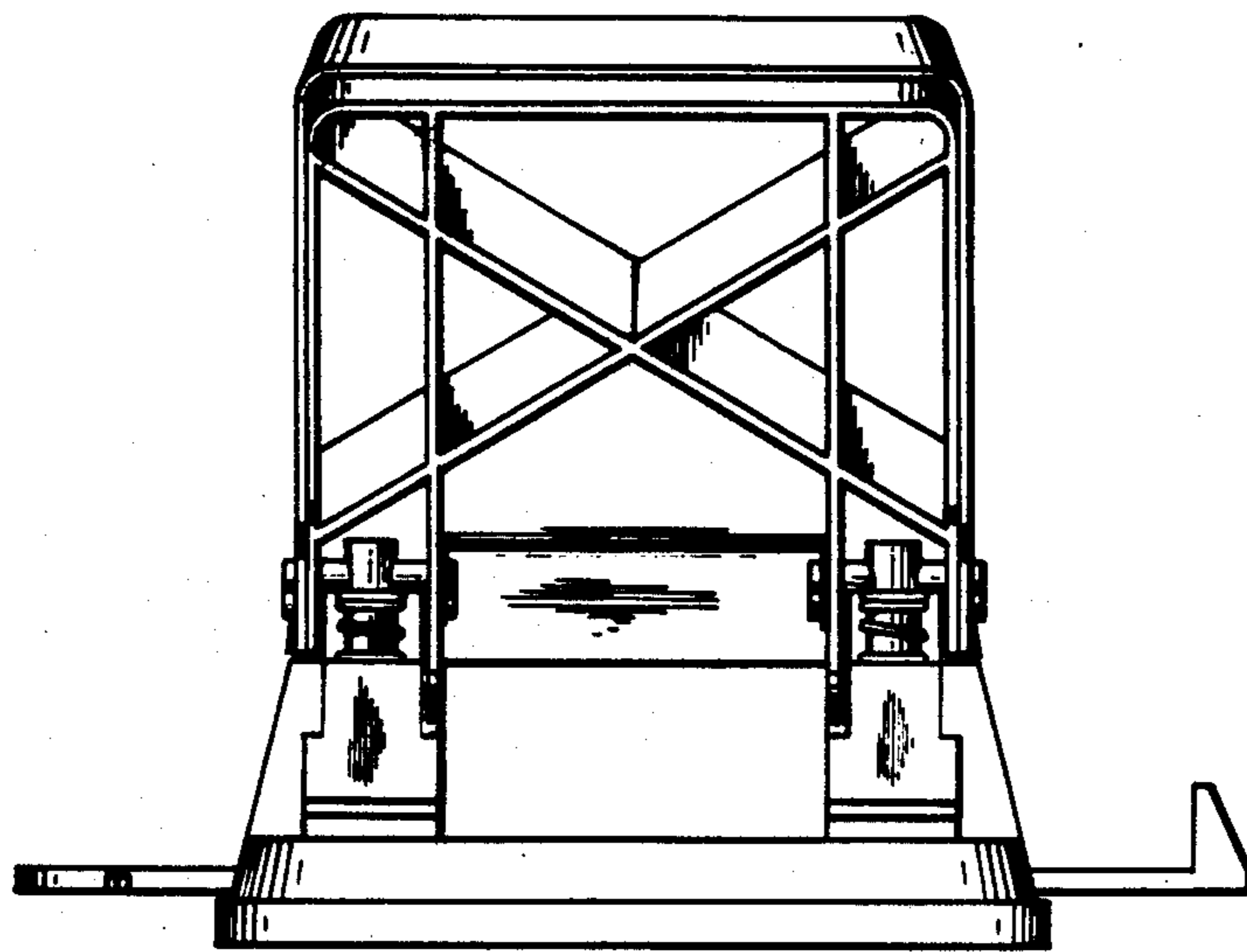


FIG. 6.

