

[54] TAPE DISPENSER

[76] Inventor: George H. Fritzinger, 217 W. Grant Ave., Edison, N.J. 08817

[\*\*] Term: 14 Years

[21] Appl. No.: 840,848

[22] Filed: Oct. 11, 1977

[51] Int. Cl. .... D19-02

[52] U.S. Cl. .... D19/69

[58] Field of Search ..... D19/67-69; 225/6, 19

[56] References Cited

U.S. PATENT DOCUMENTS

D. 188,709 8/1960 Helms ..... D19/69

OTHER PUBLICATIONS

Mutual Stationery Co., Inc. cat. © 1935, p. 166, rt. center.

Seal-O-Matic Dispenser Co. flyer, p. 4, items #39, #392.

Primary Examiner—Joel Stearman

Assistant Examiner—George P. Word

[57] CLAIM

The ornamental design for a tape dispenser, substantially as shown and described.

DESCRIPTION

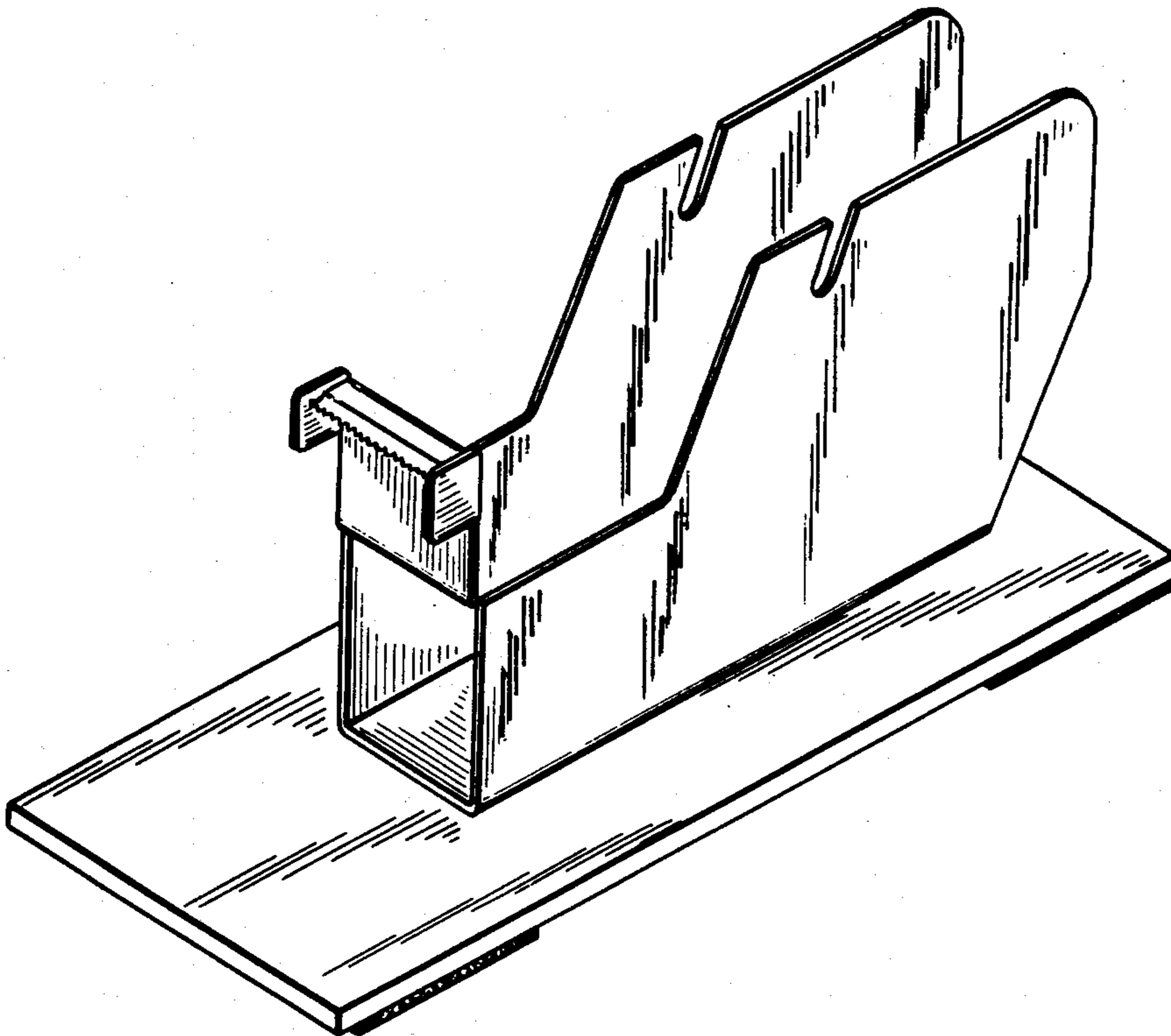
FIG. 1 is a perspective view of a tape dispenser showing my new design;

FIG. 2 is a rear elevational view thereof;

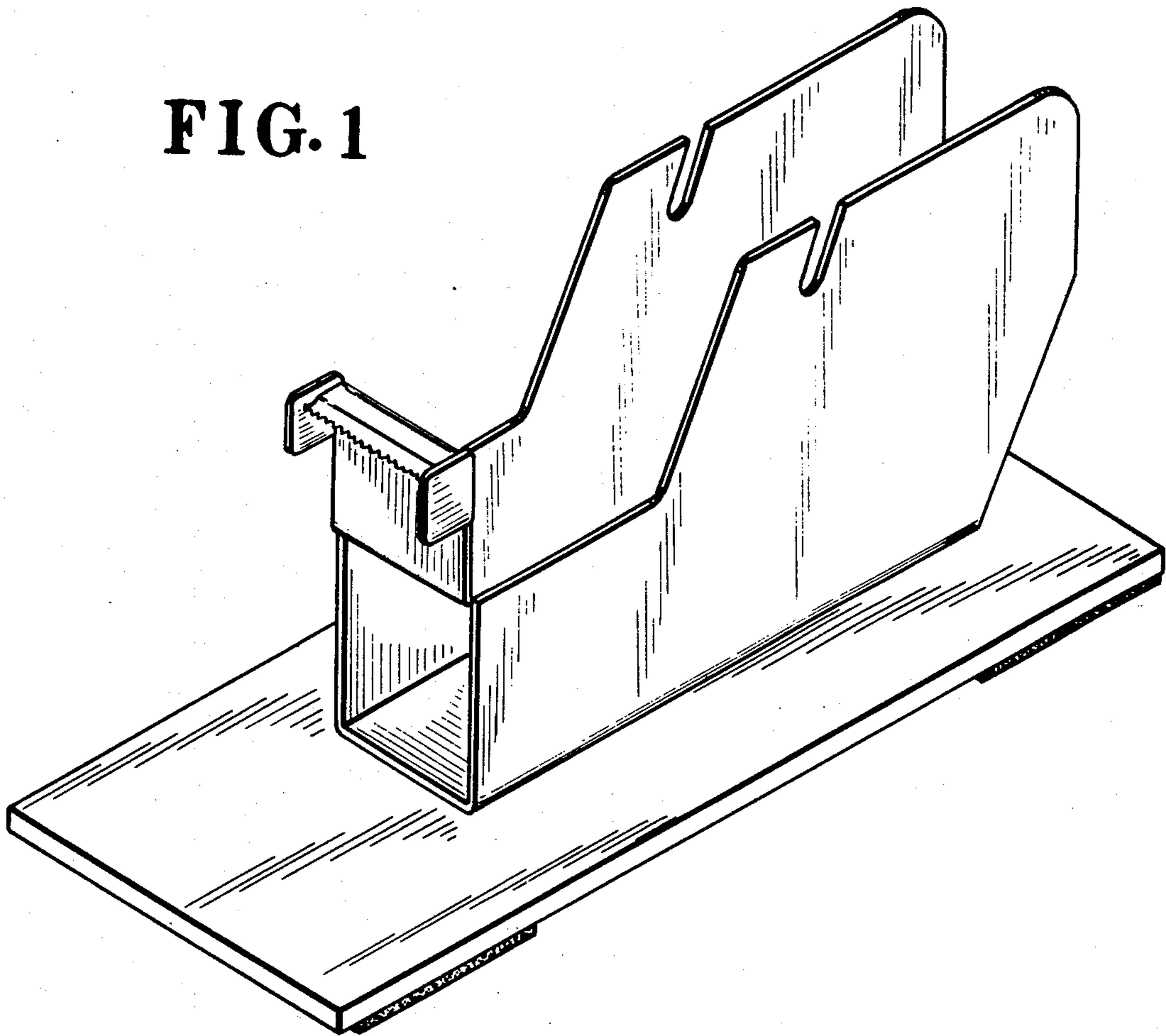
FIG. 3 is a front elevational view thereof;

FIG. 4 is a left side elevational view; and

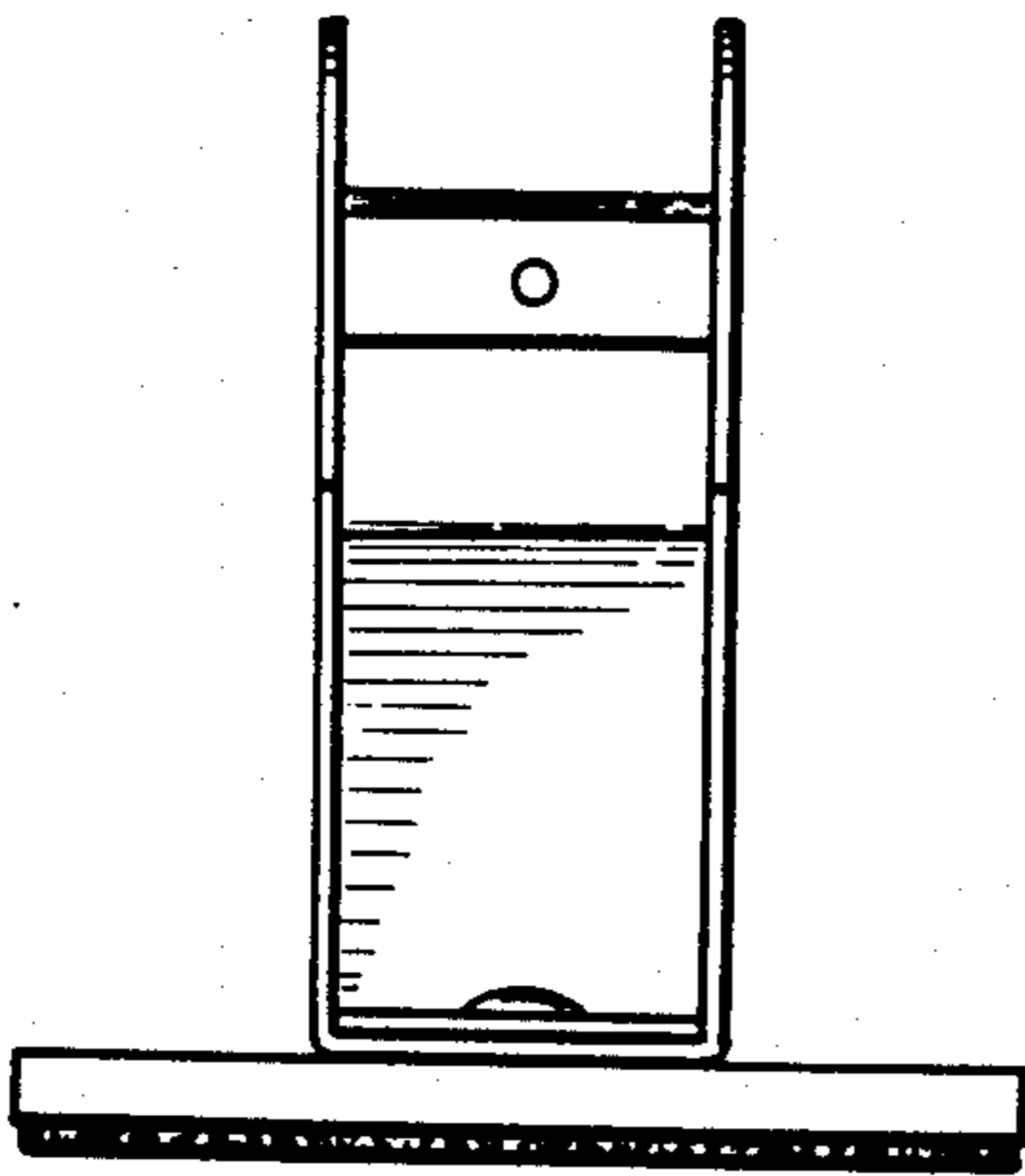
FIG. 5 is a top plan view, the bottom surface being plain and unornamented except for the rectangular supports shown in FIGS. 1-4.



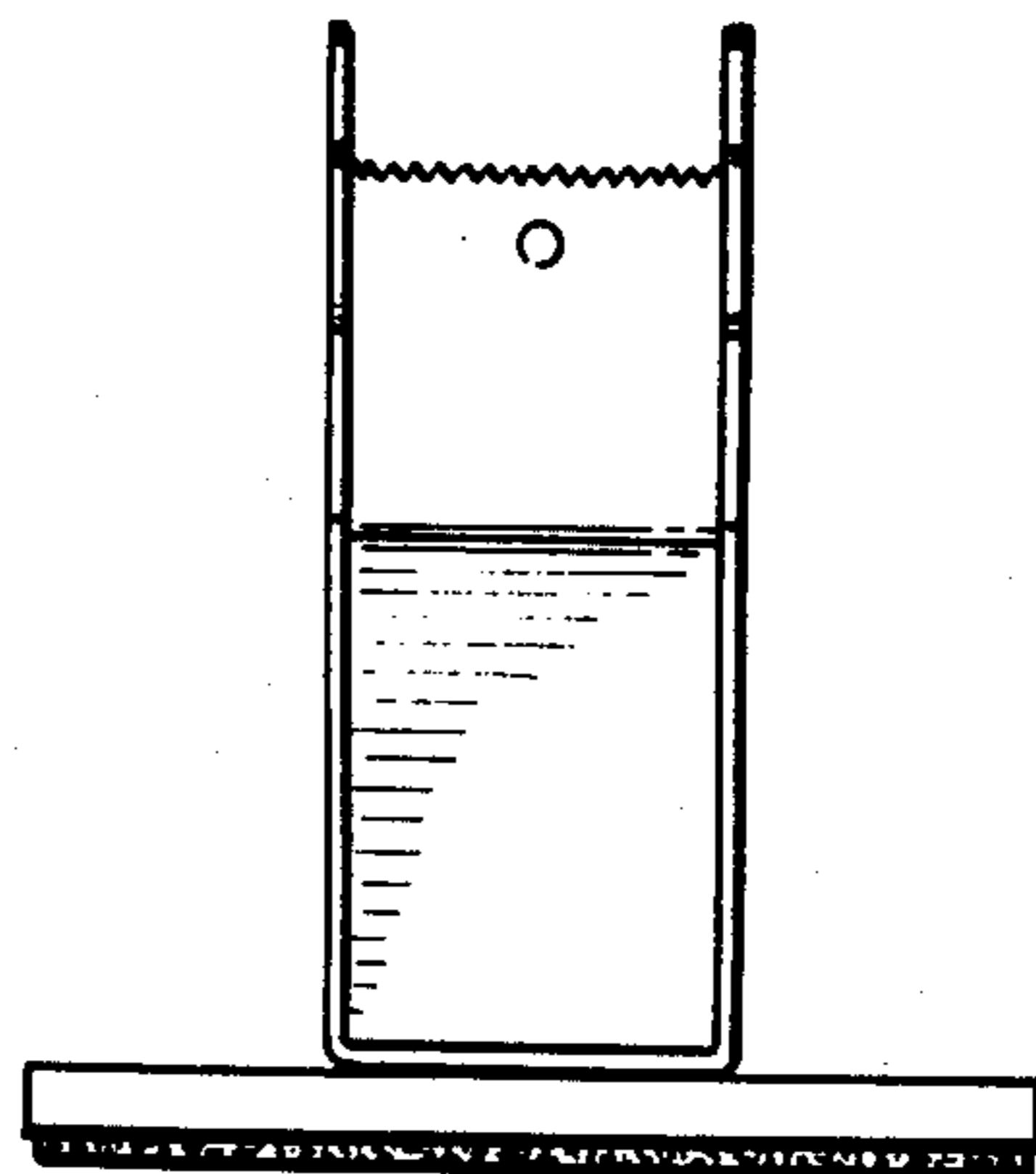
**FIG. 1**



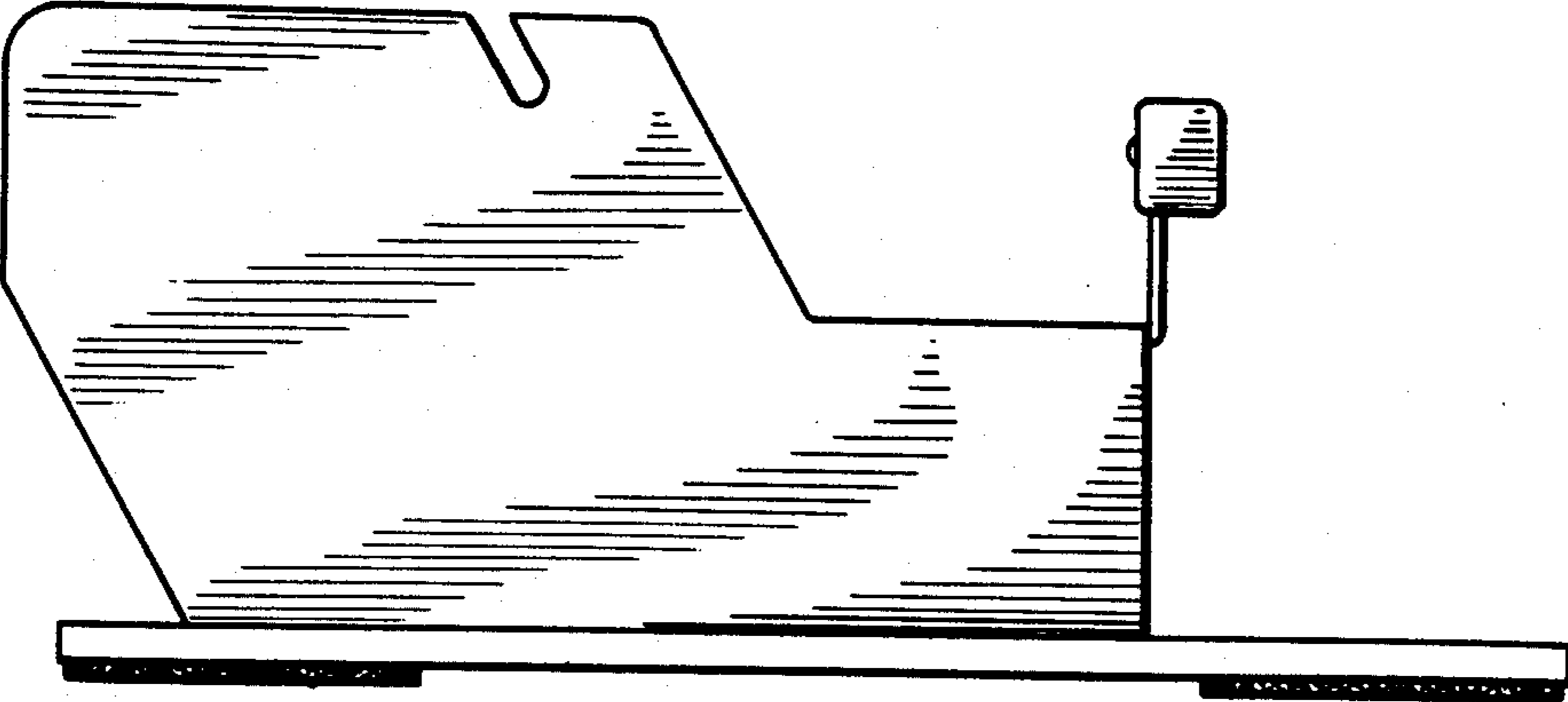
**FIG. 2**



**FIG. 3**



**FIG. 4**



**FIG. 5**

