

[54] EYEGLASS CADDY

[76] Inventor: Joseph B. Priestley, Jr., 4433 E. Crystal La., Scottsdale, Ariz. 85253

[**] Term: 14 Years

[21] Appl. No.: 790,826

[22] Filed: Apr. 25, 1977

[51] Int. Cl. D16-06; D6-06

[52] U.S. Cl. D16/82; D6/85

[58] Field of Search D16/82; D87/9; D19/86; D6/85; 211/13; 248/176, 300, 309 R, 346, DIG. 2; 206/5

[56] References Cited

U.S. PATENT DOCUMENTS

- D. 123,350 10/1940 Gribben D6/85
- D. 185,746 7/1959 Glover D16/82

- D. 205,964 10/1966 Peterson D16/82
- 3,994,460 11/1976 Geiger 211/13 X

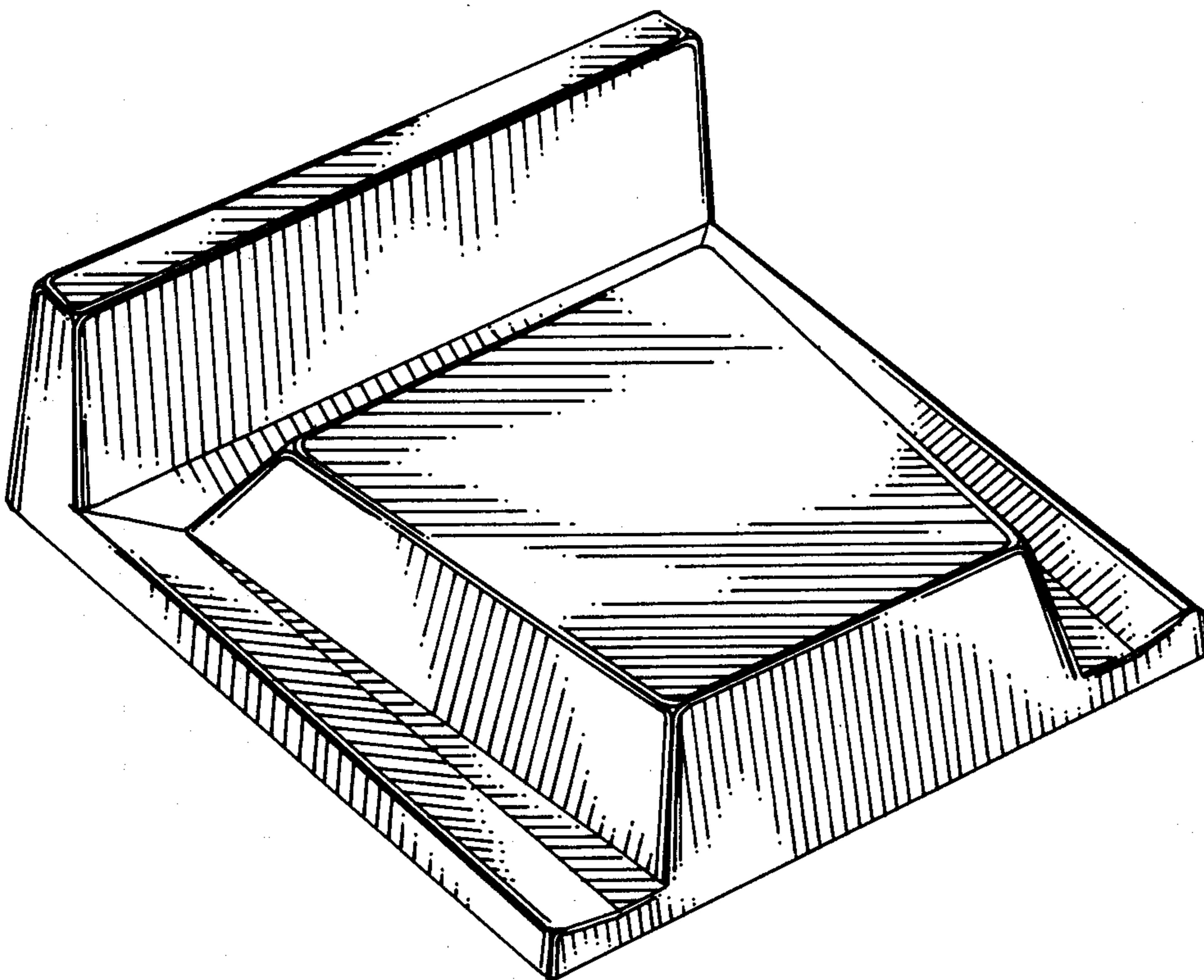
Primary Examiner—Susan J. Lucas
Attorney, Agent, or Firm—William H. Drummond

[57] CLAIM

The ornamental design for an eyeglass caddy, as shown and described.

DESCRIPTION

FIG. 1 is a top perspective view of my new design showing the top left and front of the eyeglass caddy; FIG. 2 is a bottom perspective view showing the bottom right and back of the eyeglass caddy of FIG. 1; FIG. 3 is a left side elevational view of the eyeglass caddy of FIG. 1 on an enlarged scale; FIG. 4 is a front elevational view of the eyeglass caddy of FIG. 1 on an enlarged scale; and FIG. 5 is a top plan view of the eyeglass caddy of FIG. 1 on an enlarged scale.



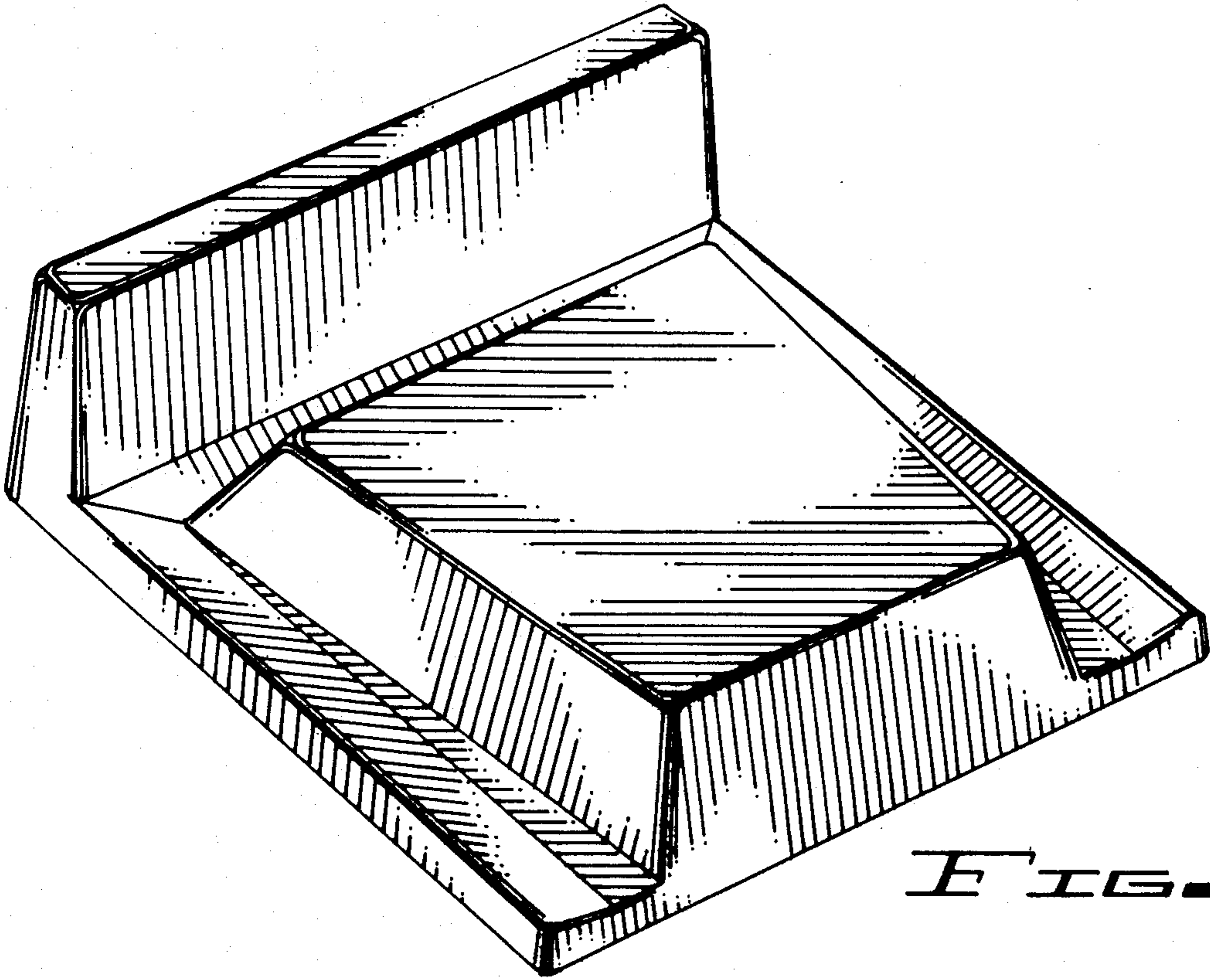


FIG. 1

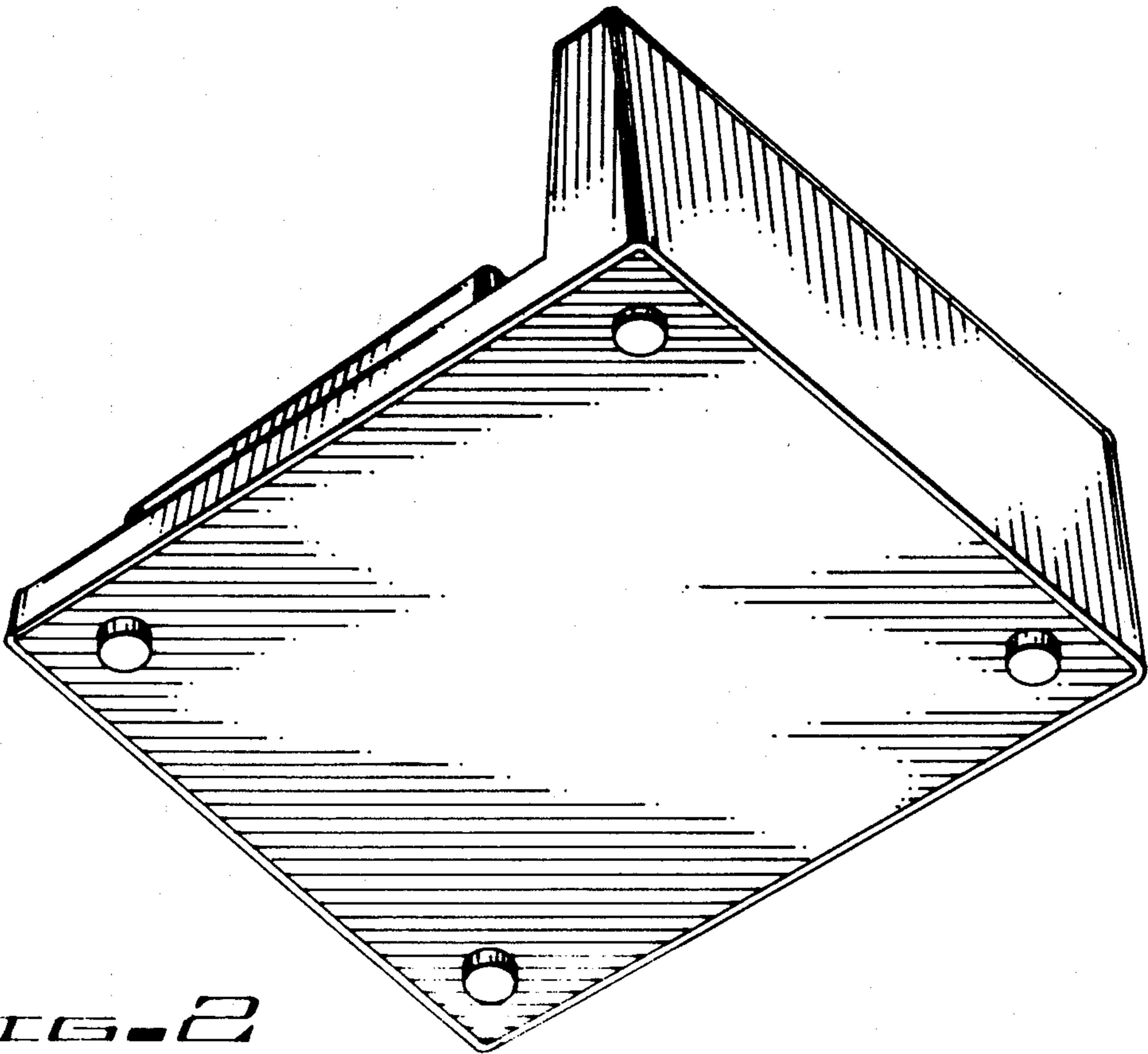


FIG. 2

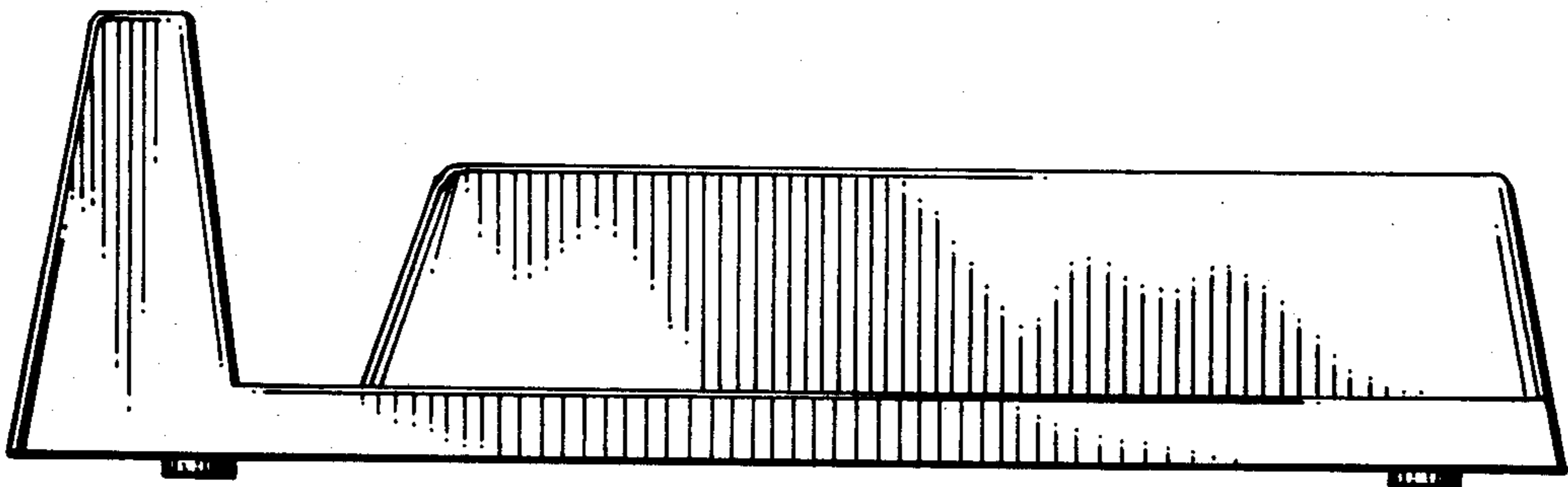


FIG. 3

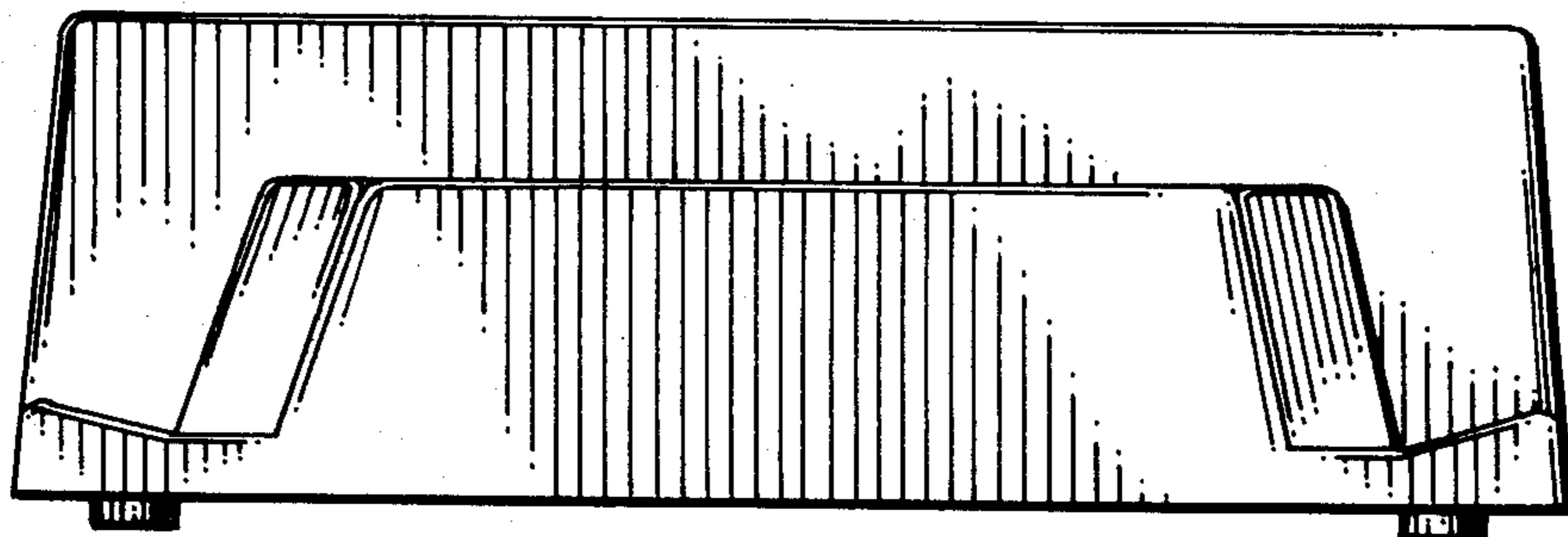


FIG. 4

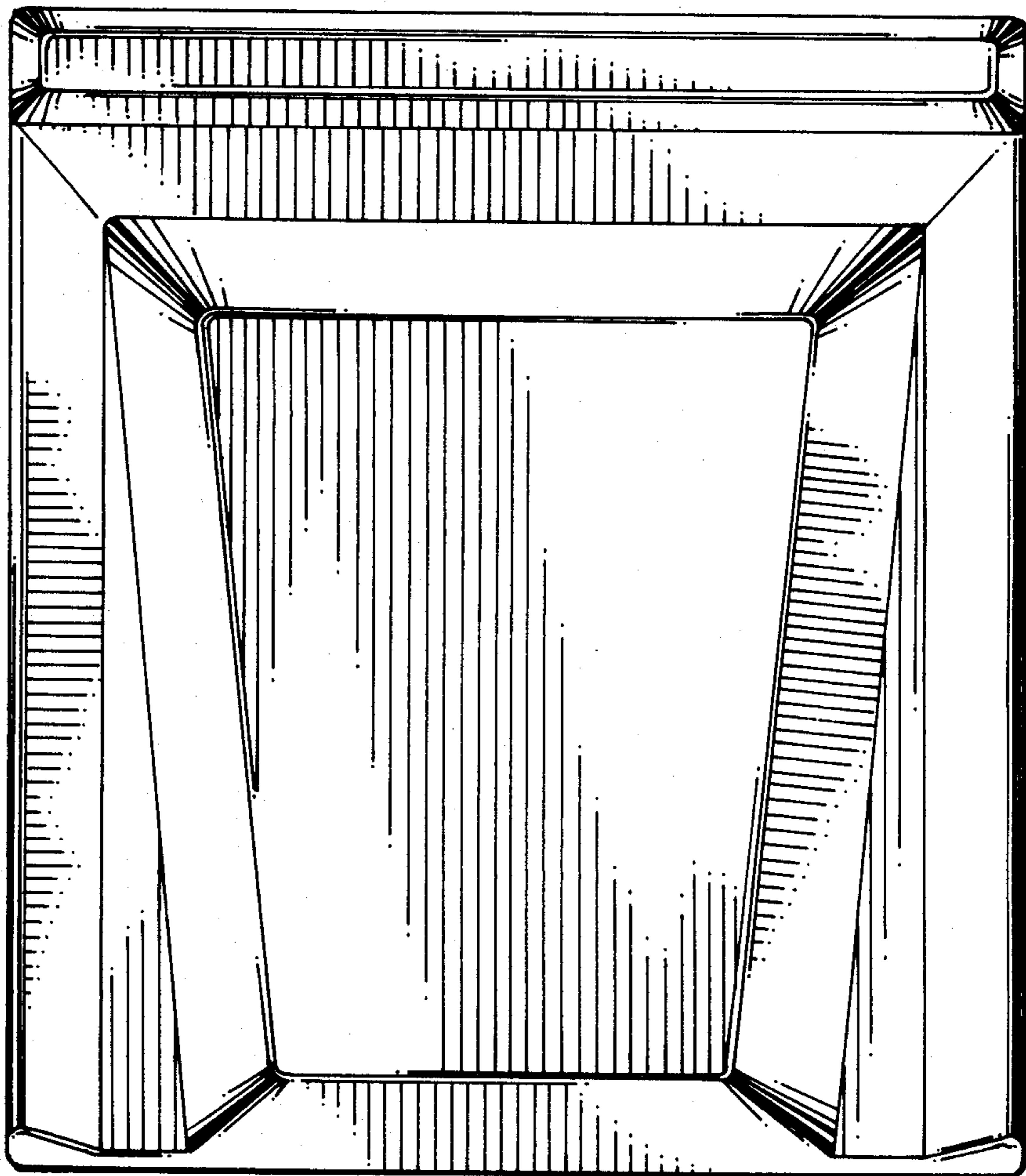


FIG. 5