

[54] **ELECTRONIC COPIER**  
 [75] Inventor: **Kunio Hara, Chiba, Japan**  
 [73] Assignee: **Tokyo Shibaura Electric Co., Ltd.,  
 Kawasaki, Japan**  
 [\*\*] Term: **14 Years**  
 [21] Appl. No.: **807,639**  
 [22] Filed: **Jun. 17, 1977**  
 [30] **Foreign Application Priority Data**  
 Dec. 27, 1976 [JP] Japan ..... 51-50388  
 [51] Int. Cl. .... **D16-03**  
 [52] U.S. Cl. .... **D16/31**  
 [58] Field of Search ..... **D16/27, 28, 29, 30,  
 D16/31, 32; 355/3 R, 8, 11, 12**

[56] **References Cited**  
**U.S. PATENT DOCUMENTS**  
 D. 222,298 10/1971 Ishii ..... D16/31  
 D. 239,659 4/1976 Katayama et al. .... D16/31

D. 243,522 3/1977 Nakade ..... D16/31  
 D. 247,296 2/1978 Nakade ..... D16/31

*Primary Examiner*—Wallace R. Burke  
*Assistant Examiner*—Catherine Kemper  
*Attorney, Agent, or Firm*—Norman F. Oblon

[57] **CLAIM**

The ornamental design for an electronic copier, as shown and described.

**DESCRIPTION**

FIG. 1 is a front elevational view of an electronic copier showing my new design;  
 FIG. 2 is a top plan view thereof;  
 FIG. 3 is a right side elevational view thereof;  
 FIG. 4 is a left side elevational view thereof;  
 FIG. 5 is a rear elevational view thereof;  
 FIG. 6 is a bottom plan view thereof;  
 FIG. 7 is a perspective view thereof; and  
 FIG. 8 is a perspective view of the electronic copier of FIG. 1 in operation with a cover on a noncopied manuscript-setting section kept raised.

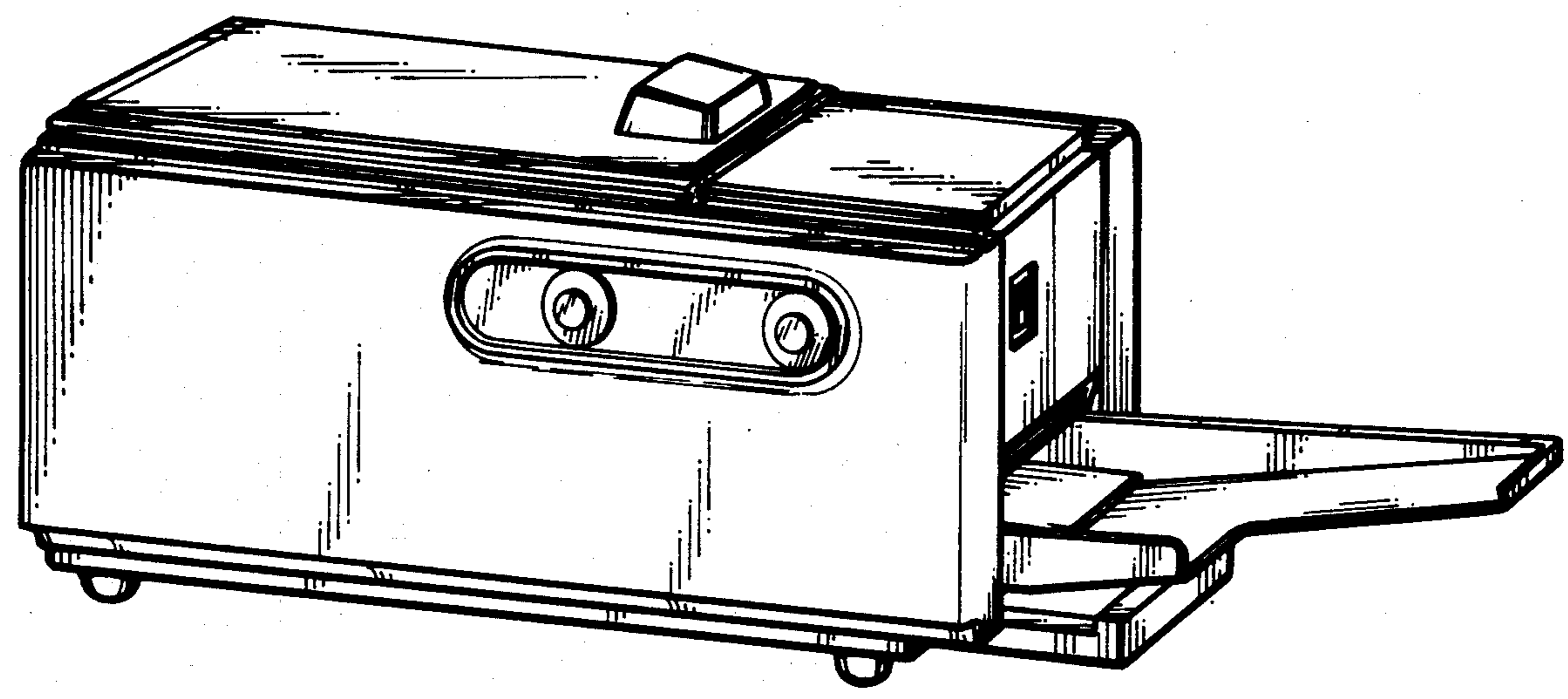


FIG. 1

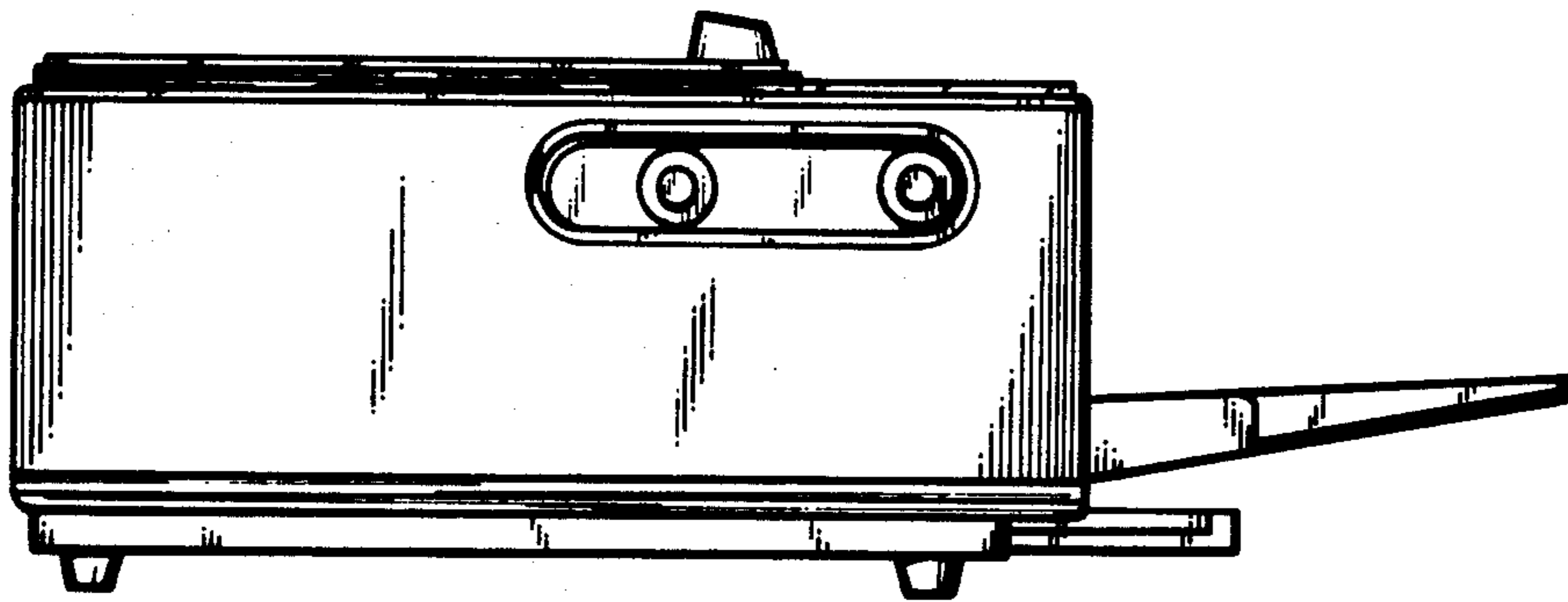


FIG. 2

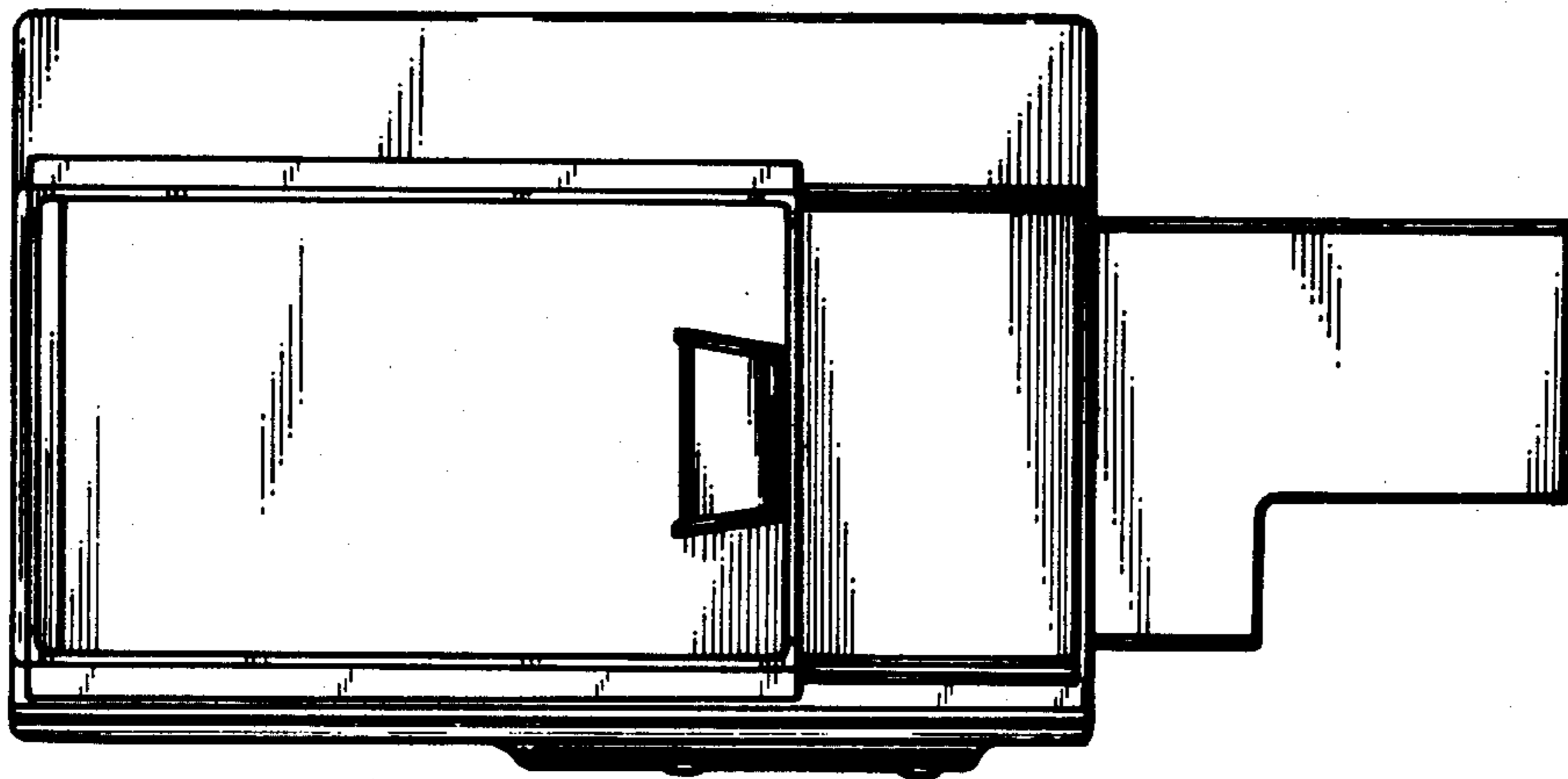


FIG. 3

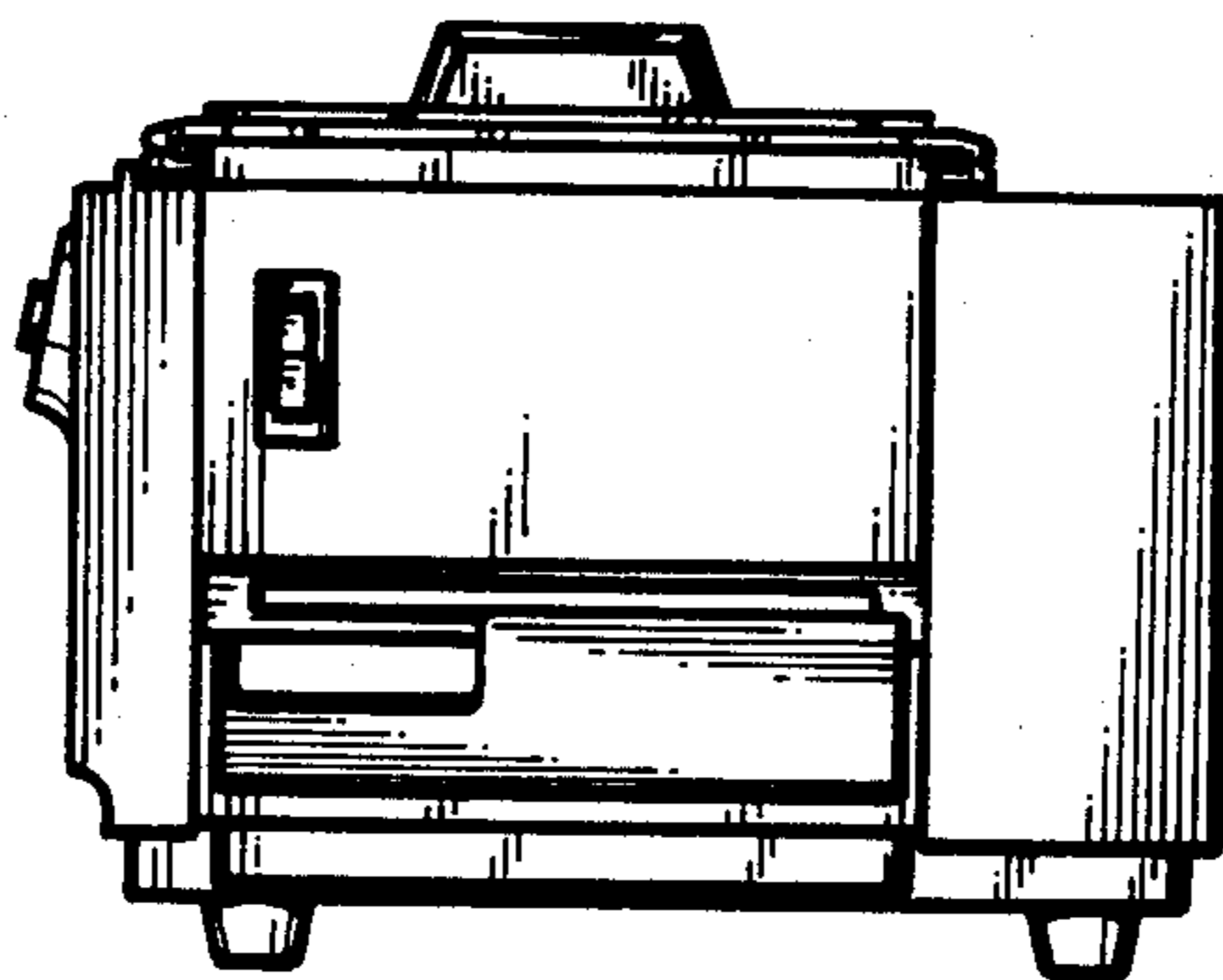


FIG. 4

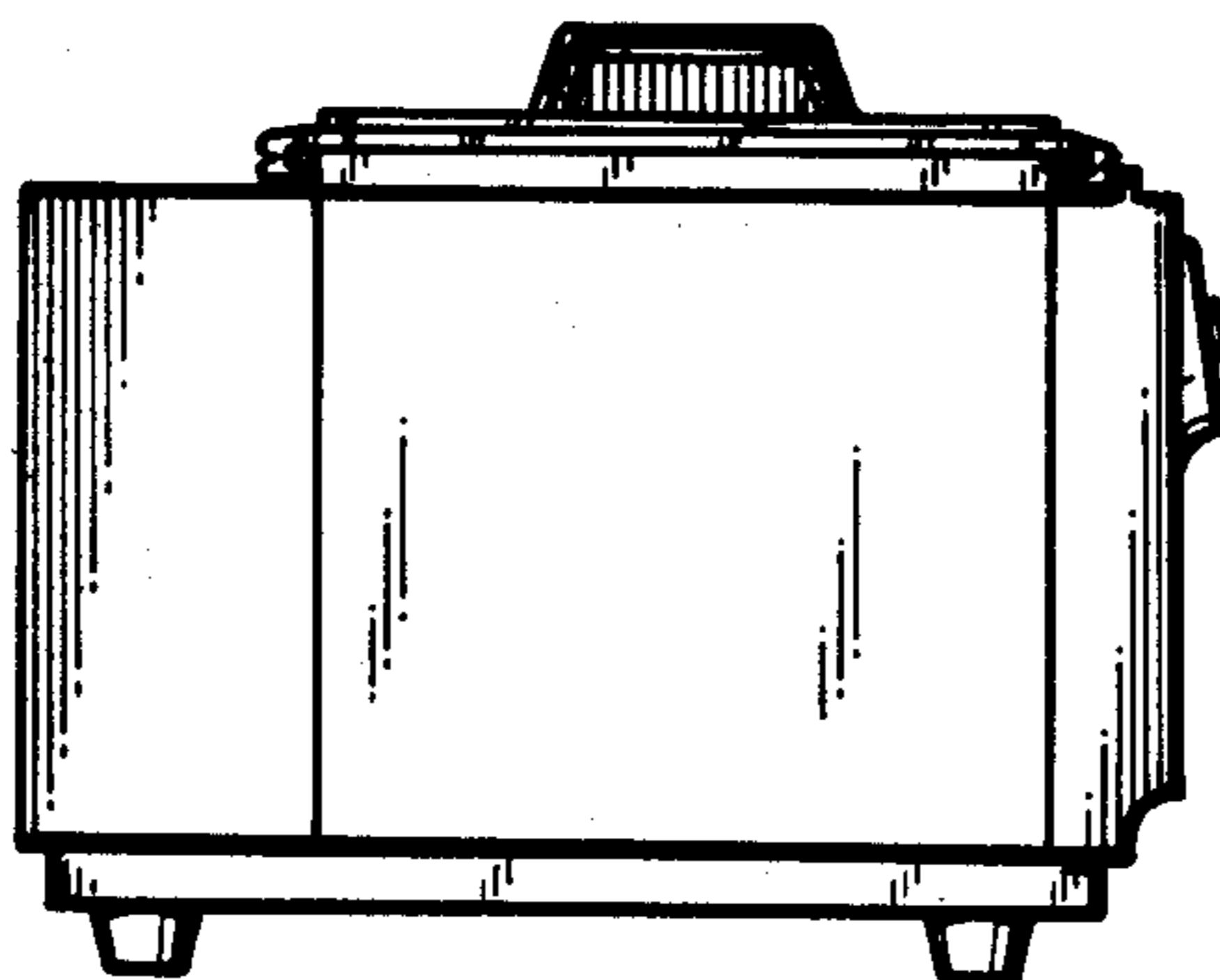


FIG. 5

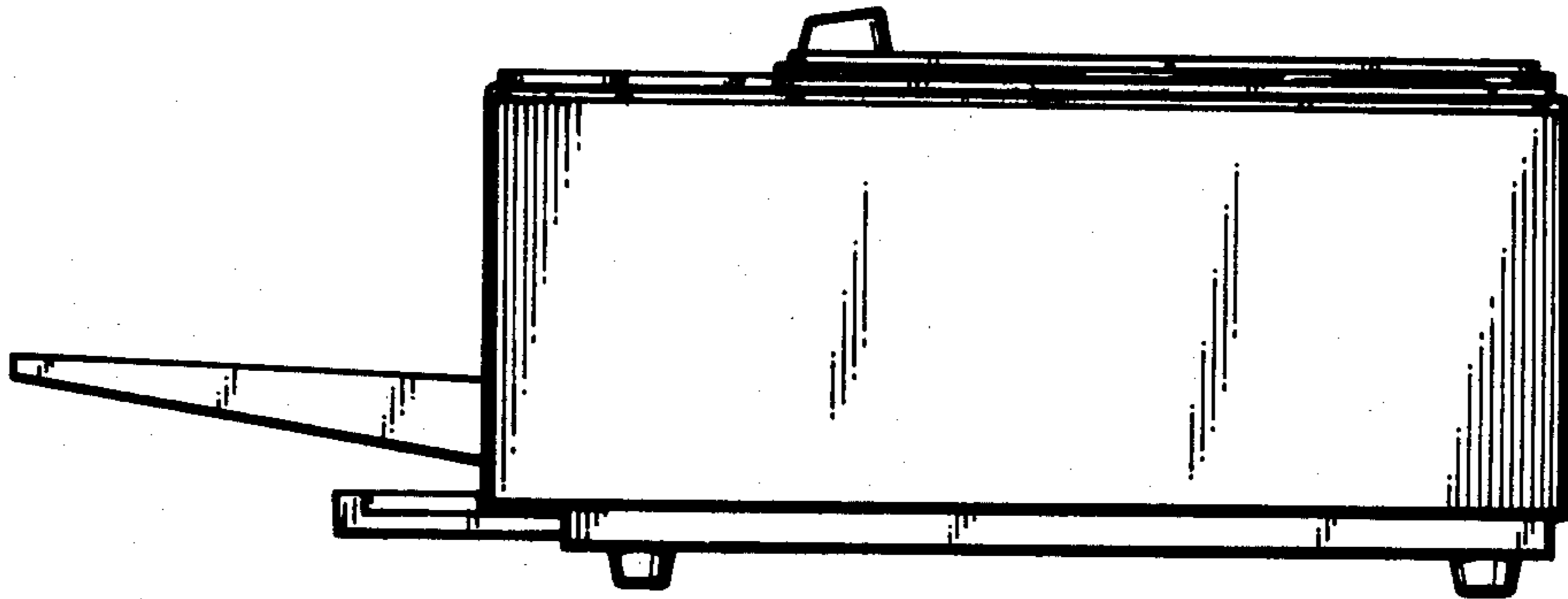


FIG. 6

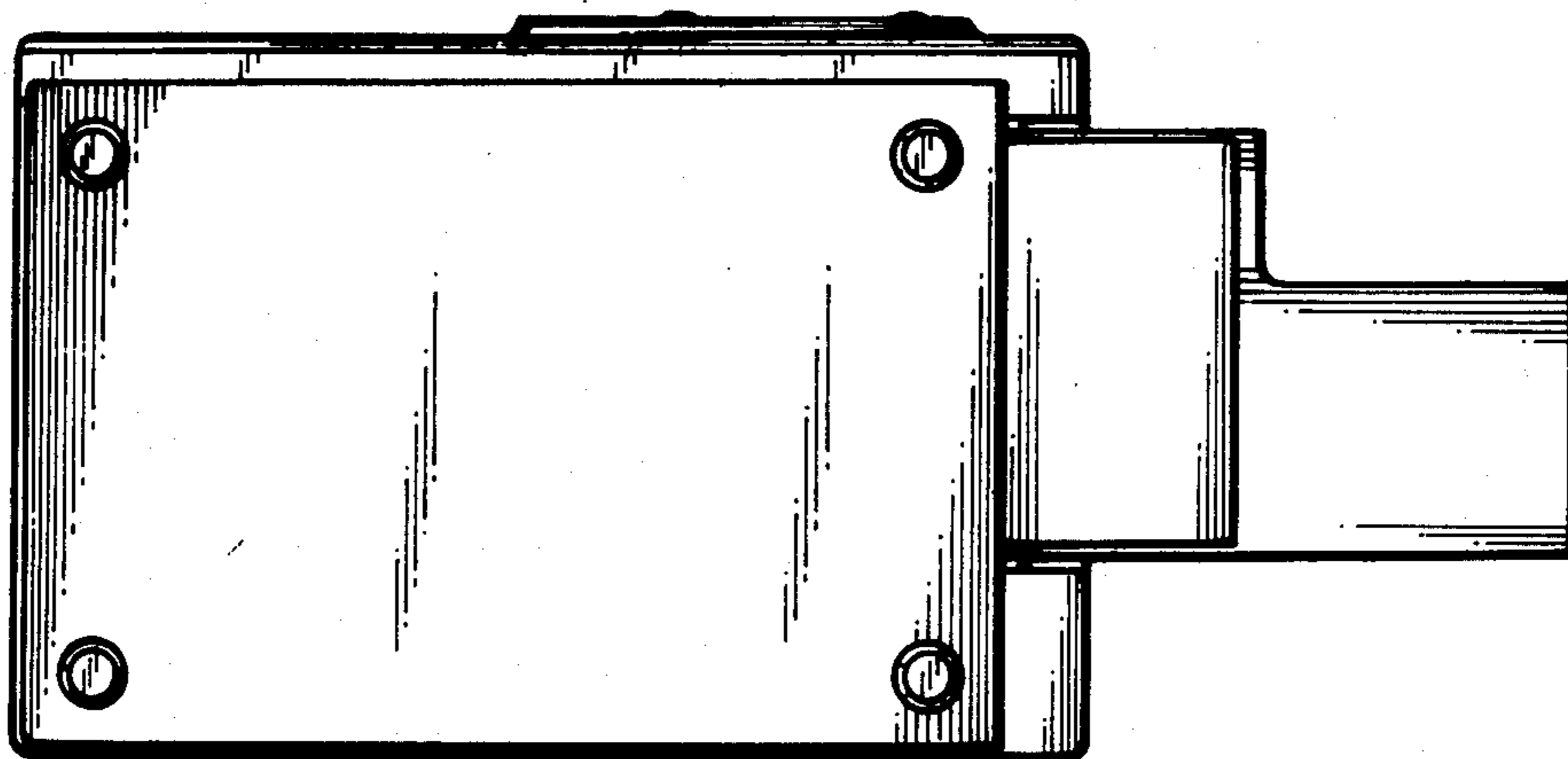


FIG. 7

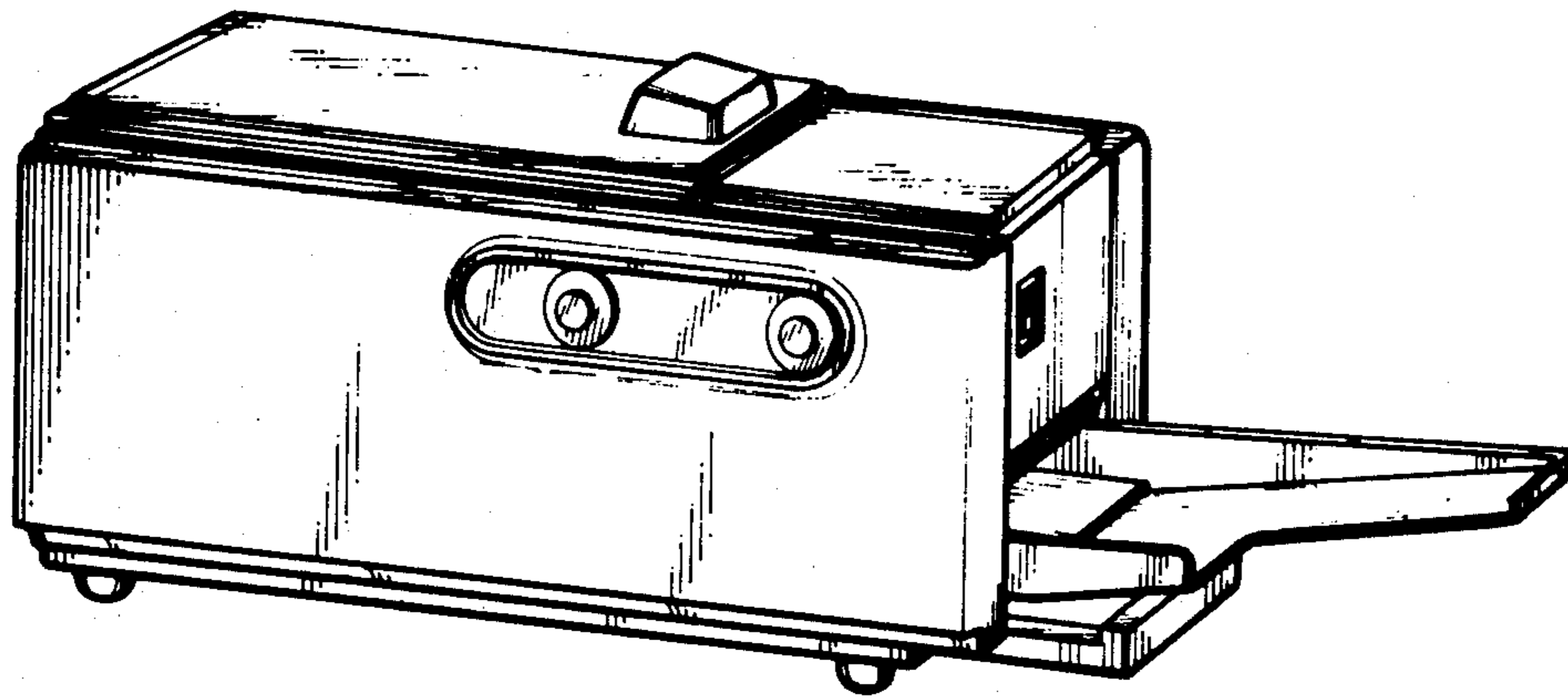


FIG. 8

