

[54] MACHINE TOOL TURRET

[75] Inventor: James F. McCreery, Latrobe, Pa.

[73] Assignee: Kennametal Inc., Latrobe, Pa.

[**] Term: 14 Years

[21] Appl. No.: 736,105

[22] Filed: Oct. 27, 1976

[51] Int. Cl. D15-09

[52] U.S. Cl. D15/138

[58] Field of Search D15/138, 139, 140; 29/39, 40, 47, 36

[56] References Cited

U.S. PATENT DOCUMENTS

3,600,777	8/1971	Ollearo et al.	29/40
3,703,027	11/1972	Geyler	29/39
3,725,987	4/1973	Kurimoto et al.	29/40
3,830,584	8/1974	Ohlig et al.	29/40
3,874,257	4/1975	Hikota et al.	29/39

4,006,518 2/1977 Rudolph et al. 29/39

OTHER PUBLICATIONS

American Machinist, 7/76, p. 175, Kennametal 12-Station Turret, top left side of page.

Primary Examiner—James M. Gandy

Attorney, Agent, or Firm—Lawrence R. Burns

[57] CLAIM

The ornamental design for a machine tool turret, substantially as shown and described.

DESCRIPTION

FIG. 1 is a perspective view of the top and one side of a machine tool turret showing my new design;

FIG. 2 is a perspective view thereof showing the top and side opposite to that in FIG. 1; and

FIG. 3 is a bottom perspective view thereof taken from the end opposite to that shown in FIG. 1.

The broken lines in the drawing are for illustrative purposes only.

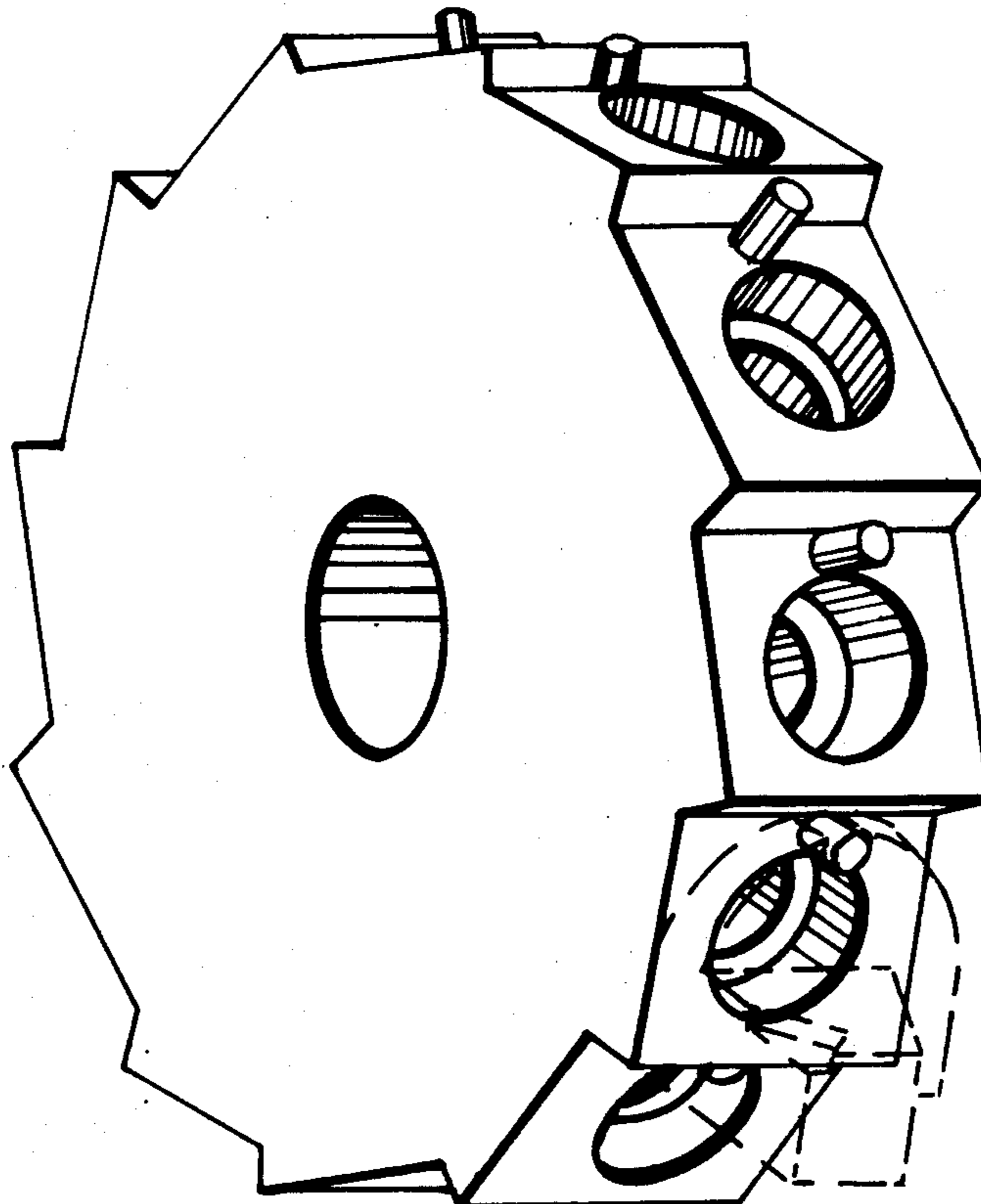


FIG. 1

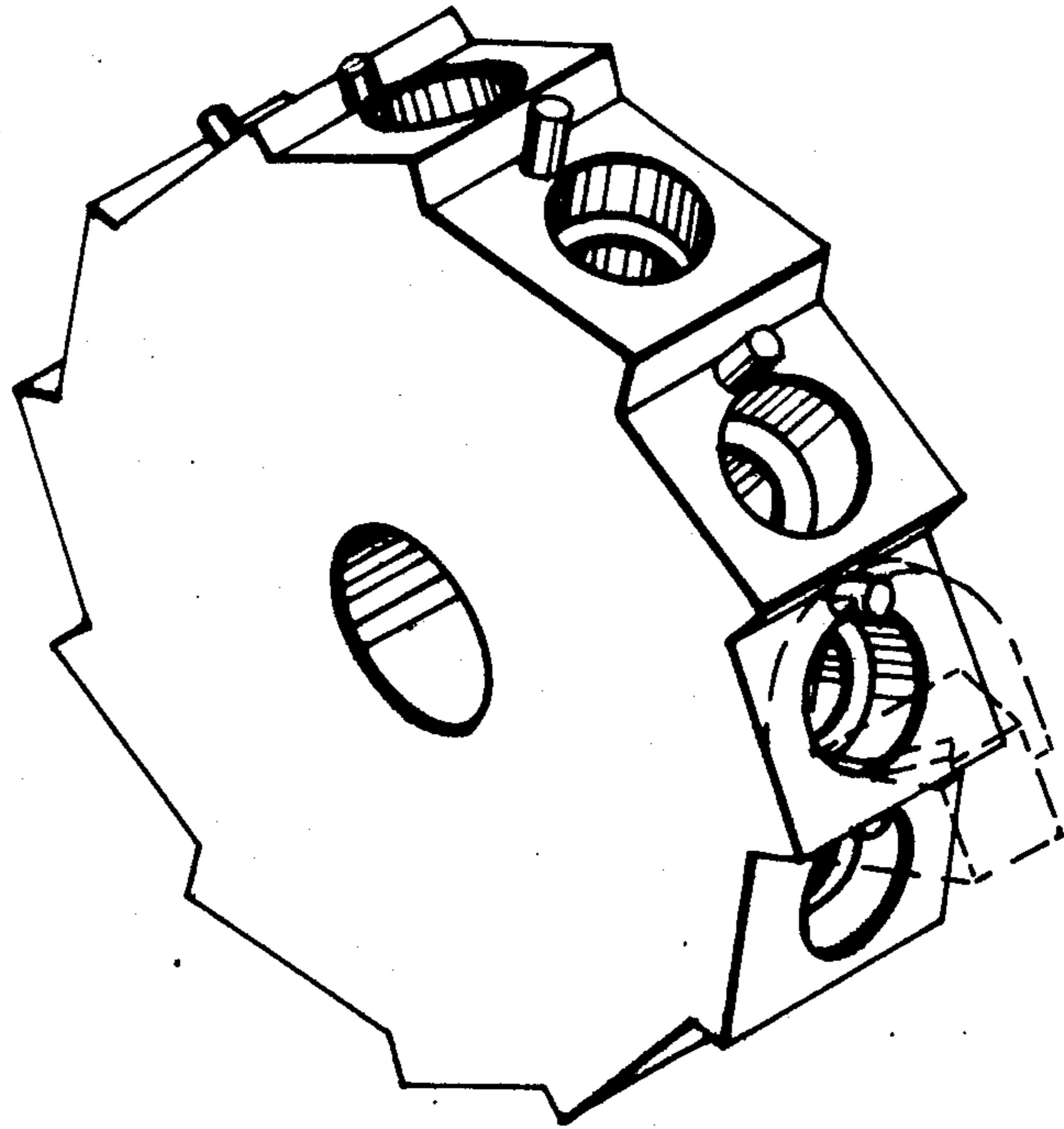


FIG. 2

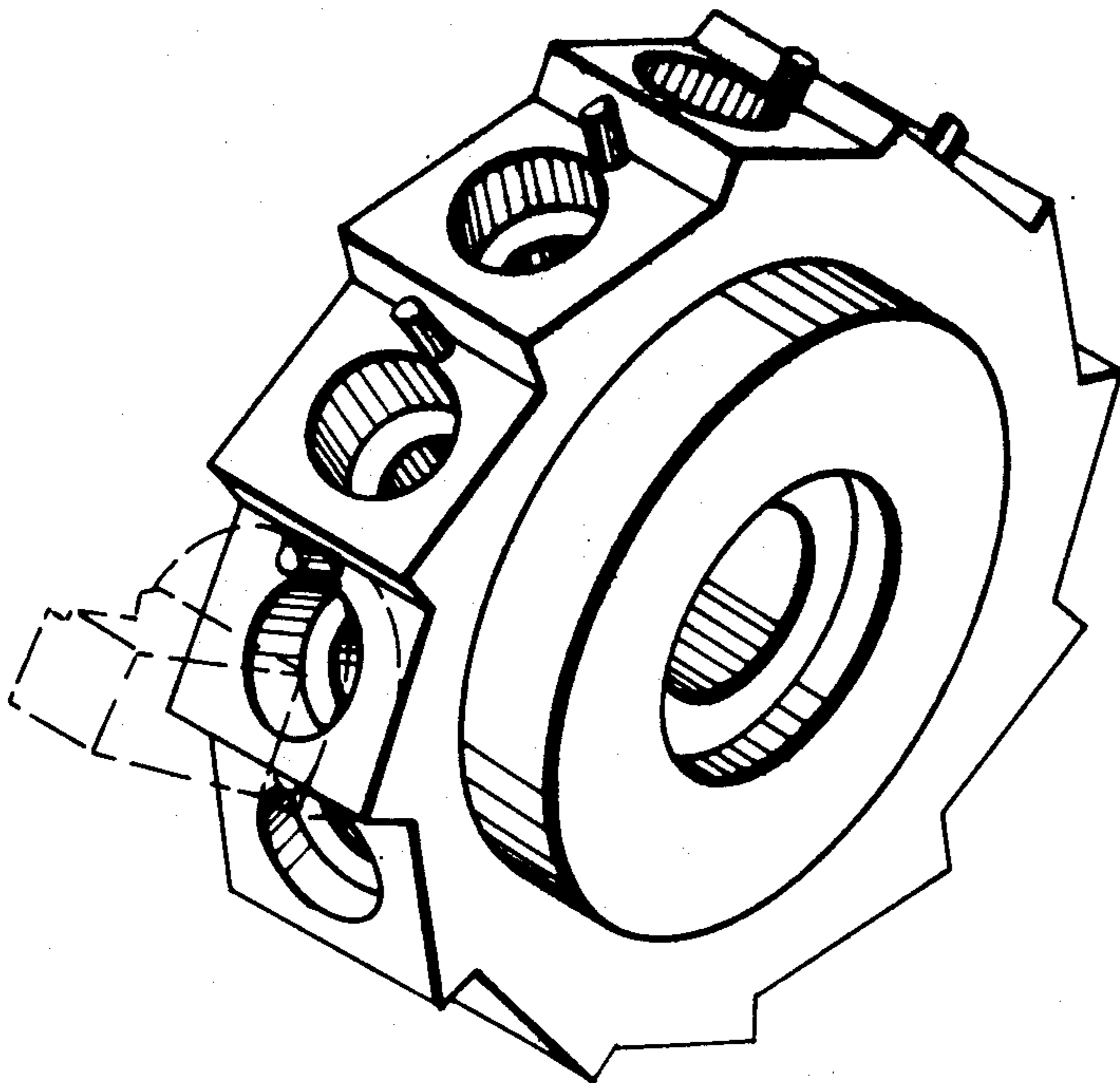


FIG. 3

