

[54] **CLOTHES BASKET HOLDER**

[76] **Inventor:** Eugene Calgaro, 16 Bennelong St.,  
Smithfield, New South Wales,  
Australia

[\*\*] **Term:** 14 Years

[21] **Appl. No.:** 839,282

[22] **Filed:** Oct. 4, 1977

[51] **Int. Cl.** ..... D06-04; D8-08

[52] **U.S. Cl.** ..... D6/130; D6/114;  
D6/137; D8/370

[58] **Field of Search** ..... D6/114, 125, 129, 130,  
D6/137; D8/363, 366, 373, 380, 381, 370;  
211/60 R, 75, 87, 106, 112; 248/309 R, 310,  
311.1, 312, 315, 99; 47/39

2,747,825 5/1956 Lachenmayer ..... 248/310  
 2,964,200 12/1960 King ..... 211/112  
 3,018,898 1/1962 Frazelle ..... 47/39  
 3,028,136 4/1962 Vento ..... 248/311.1  
 3,516,801 6/1970 Shah ..... 248/315

*Primary Examiner*—Wallace R. Burke  
*Assistant Examiner*—B. J. Bullock  
*Attorney, Agent, or Firm*—Martin R. Greenstein

[56] **References Cited**

**U.S. PATENT DOCUMENTS**

D. 231,296 4/1974 Morris et al. .... D6/137  
 323,141 7/1885 Hatz ..... 248/99

[57] **CLAIM**

The ornamental design for a clothes basket holder, as shown and described.

**DESCRIPTION**

FIG. 1 is a perspective view of a clothes basket holder showing my new design, the portion of a pole and the connector being shown in broken lines for illustrative purposes only;  
 FIG. 2 is a top plan view thereof;  
 FIG. 3 is a side elevational view taken from the right of FIG. 1;  
 FIG. 4 is a front elevational view thereof;

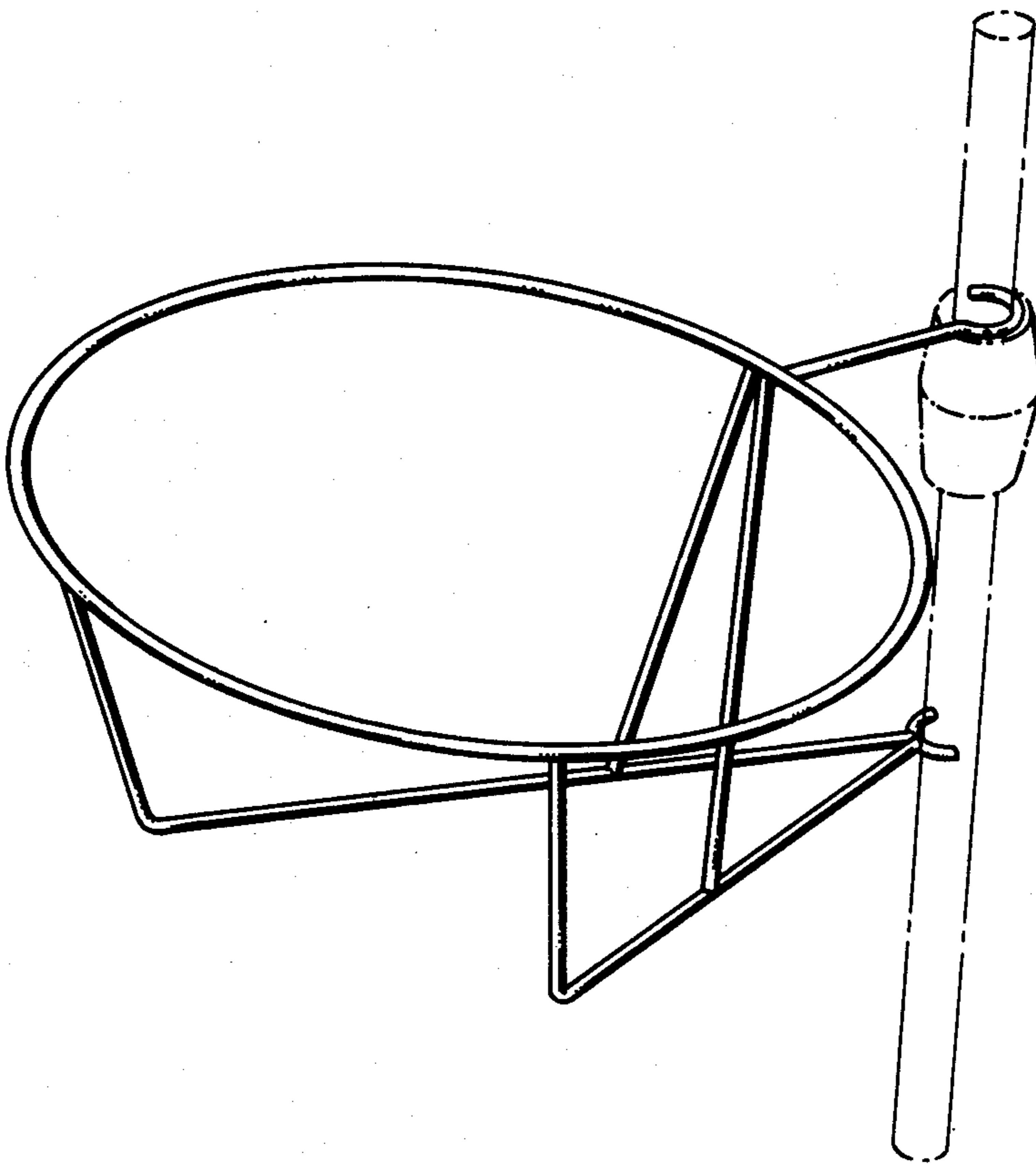


FIG. 1

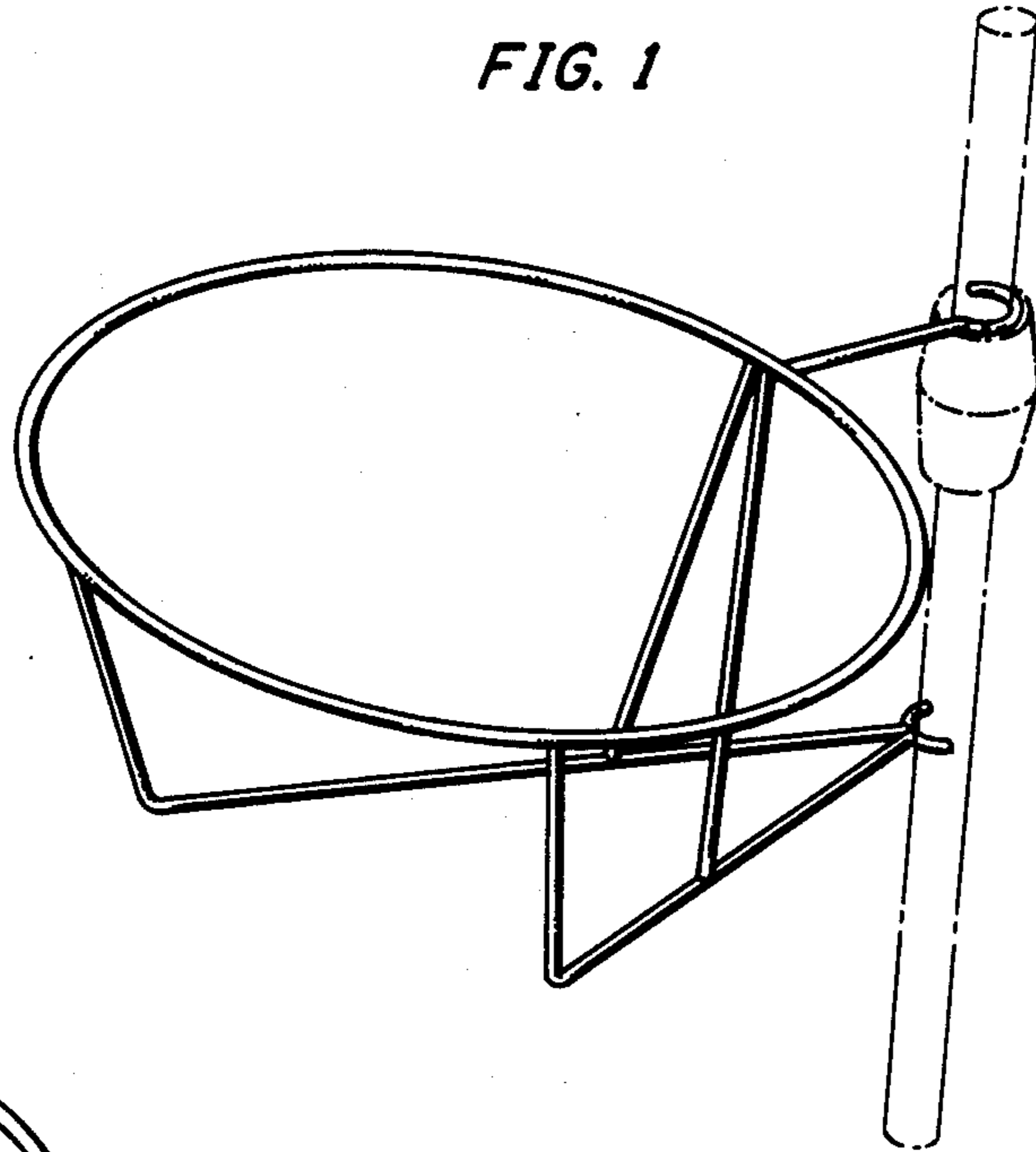


FIG. 2

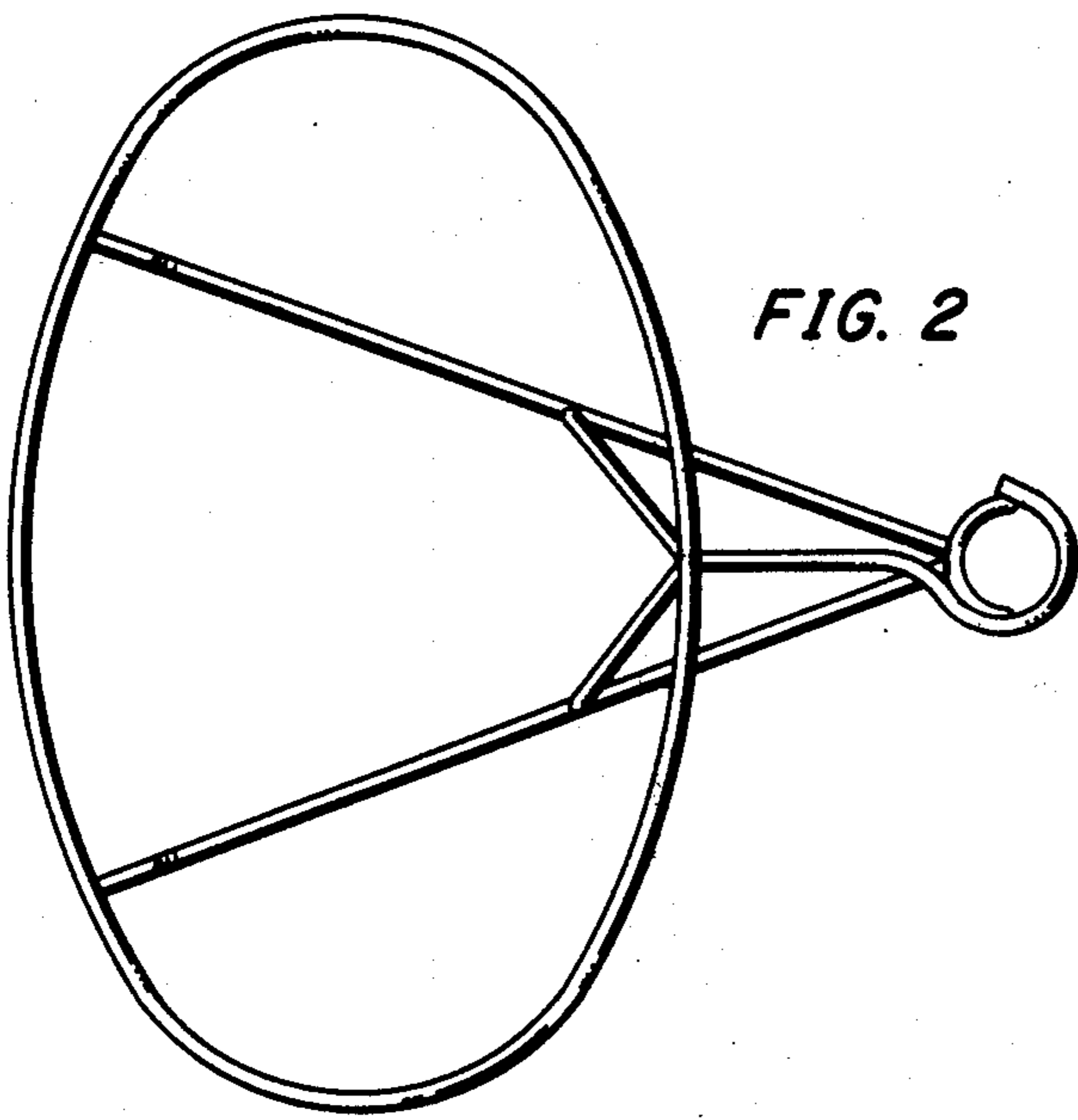


FIG. 3

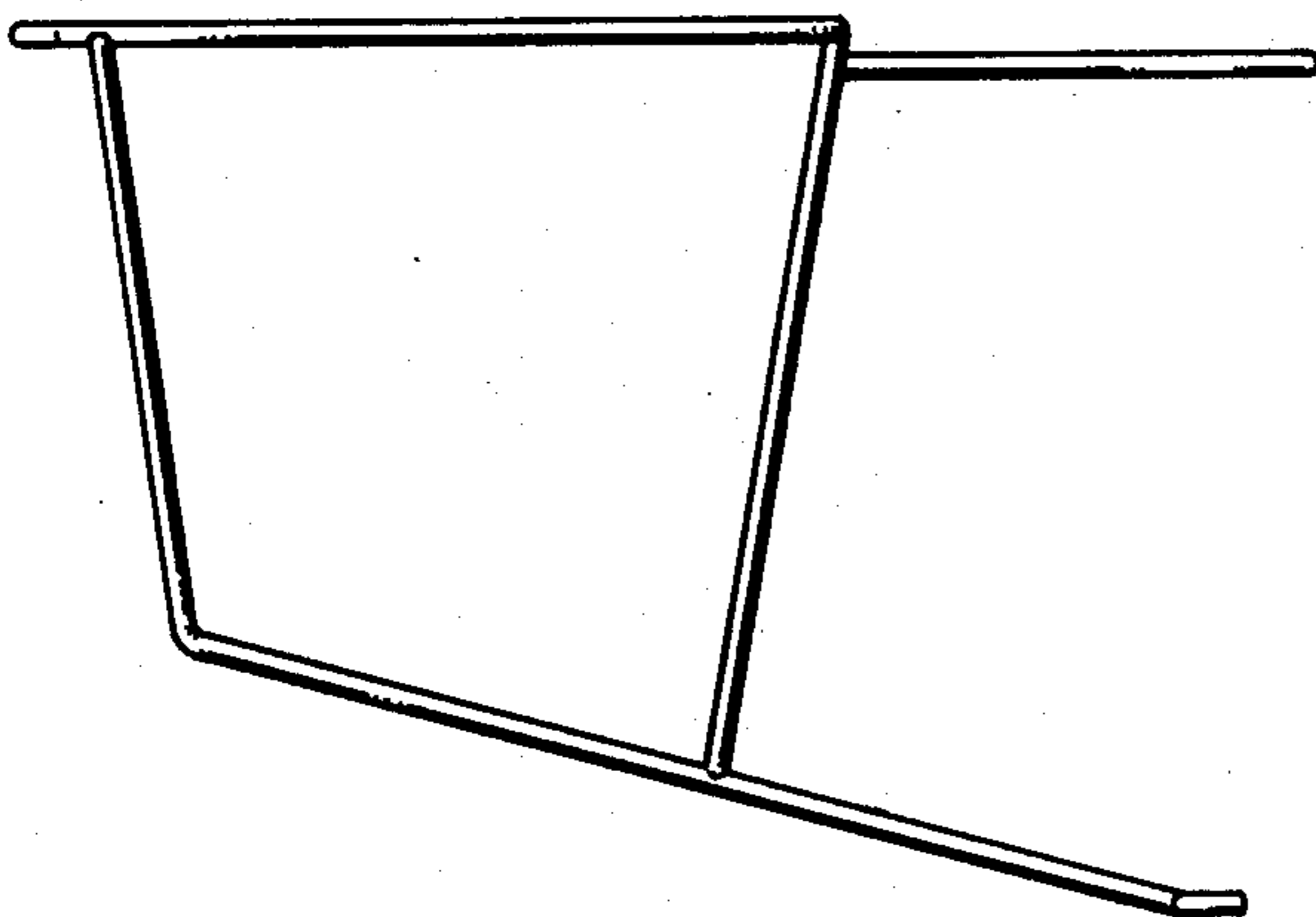
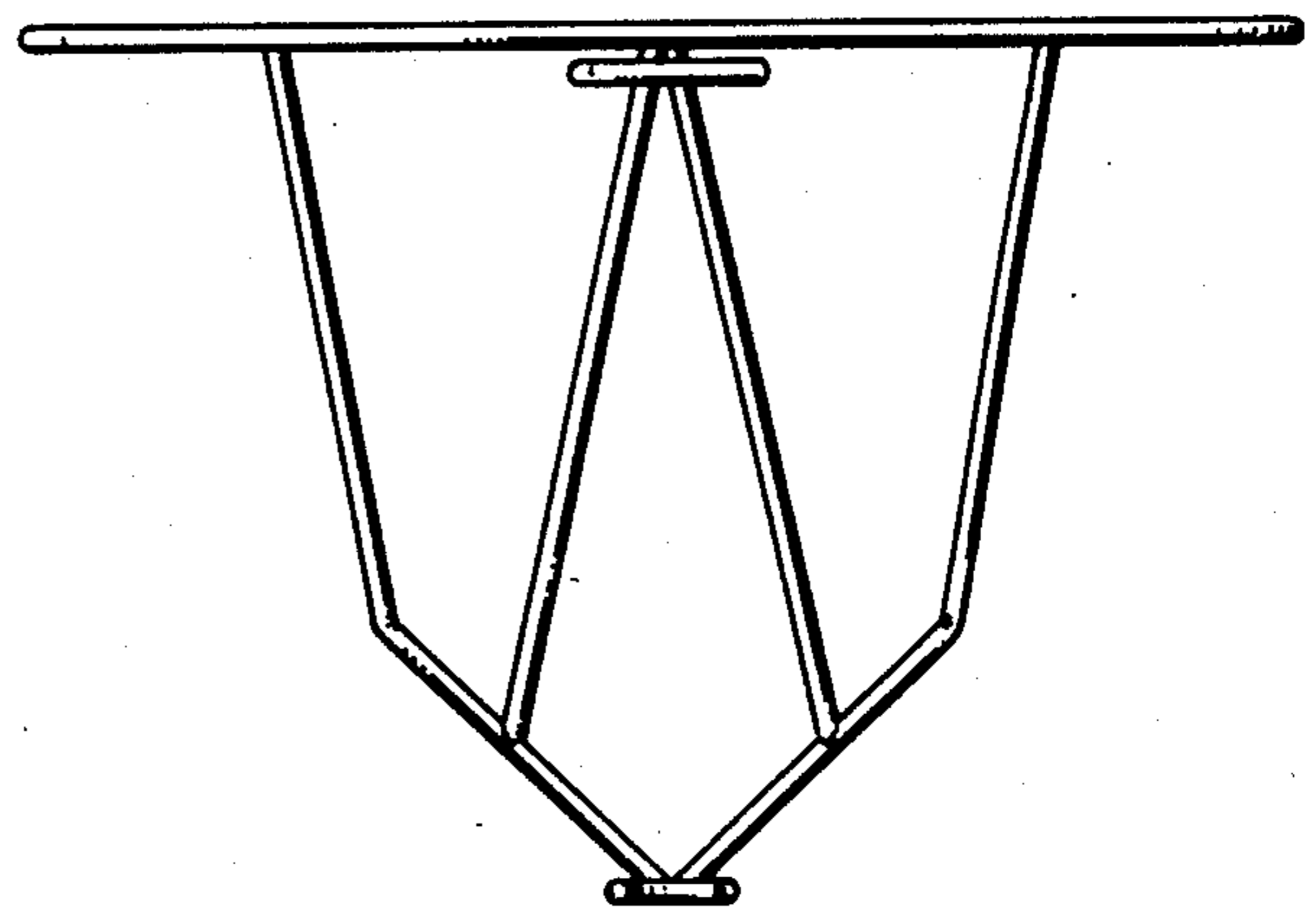


FIG. 4



UNITED STATES PATENT AND TRADEMARK OFFICE  
**CERTIFICATE OF CORRECTION**

PATENT NO. : Design 251,579  
DATED : April 17, 1979  
INVENTOR(S) : Eugene Calgaro

It is certified that error appears in the above-identified patent and that said Letters Patent are hereby corrected as shown below:

On the cover page insert the following below the inventor's name and address:

--(73) Assignee: B.E.N. TOOL & ENGINEERING PTY. LTD.

**Signed and Sealed this**

*Twenty-fifth Day of September 1979*

[SEAL]

*Attest:*

*Attesting Officer*

**LUTRELLE F. PARKER**  
*Acting Commissioner of Patents and Trademarks*