

[54] KNIFE SHEATH

[75] Inventor: Marshall B. Johnson, Chillicothe, Ohio

[73] Assignee: Wear-Ever Aluminum, Inc.

[**] Term: 14 Years

[21] Appl. No.: 770,408

[22] Filed: Feb. 22, 1977

[51] Int. Cl. D3-02

[52] U.S. Cl. D22/14

[58] Field of Search D22/1, 2, 13, 14; 224/1 R, 2 D; D2/400

[56] References Cited

U.S. PATENT DOCUMENTS

1,603,861 10/1926 Mundis 224/2 D

OTHER PUBLICATIONS

Eddie Bauer Christmas Catalog, 1974, p. 43, Scabbard for Buck Folding Hunter & Sheath for Henkels Belt Knife.

Primary Examiner—A. Hugo Word

Attorney, Agent, or Firm—William J. O'Rourke, Jr.

[57] CLAIM

The ornamental design for a knife sheath, substantially as shown and described.

DESCRIPTION

FIG. 1 is a perspective view of a first embodiment of the knife sheath of this design. The broken lines depicting a belt onto which the knife sheath is mounted and a knife inserted into the sheath are not part of the design of the present invention. The dashed lines indicate stitching on this and other front elevation views shown.

FIG. 2 is a front elevation view of the knife sheath of FIG. 1.

FIG. 3 is a side elevation view of the knife sheath of FIG. 1.

FIG. 4 is a perspective view of a second embodiment of the knife sheath of this design.

FIG. 5 is a front elevation view of the knife sheath of FIG. 4.

FIG. 6 is a side elevation view of the knife sheath of FIG. 4.

FIG. 7 is a perspective view of a third embodiment of the knife sheath of this design.

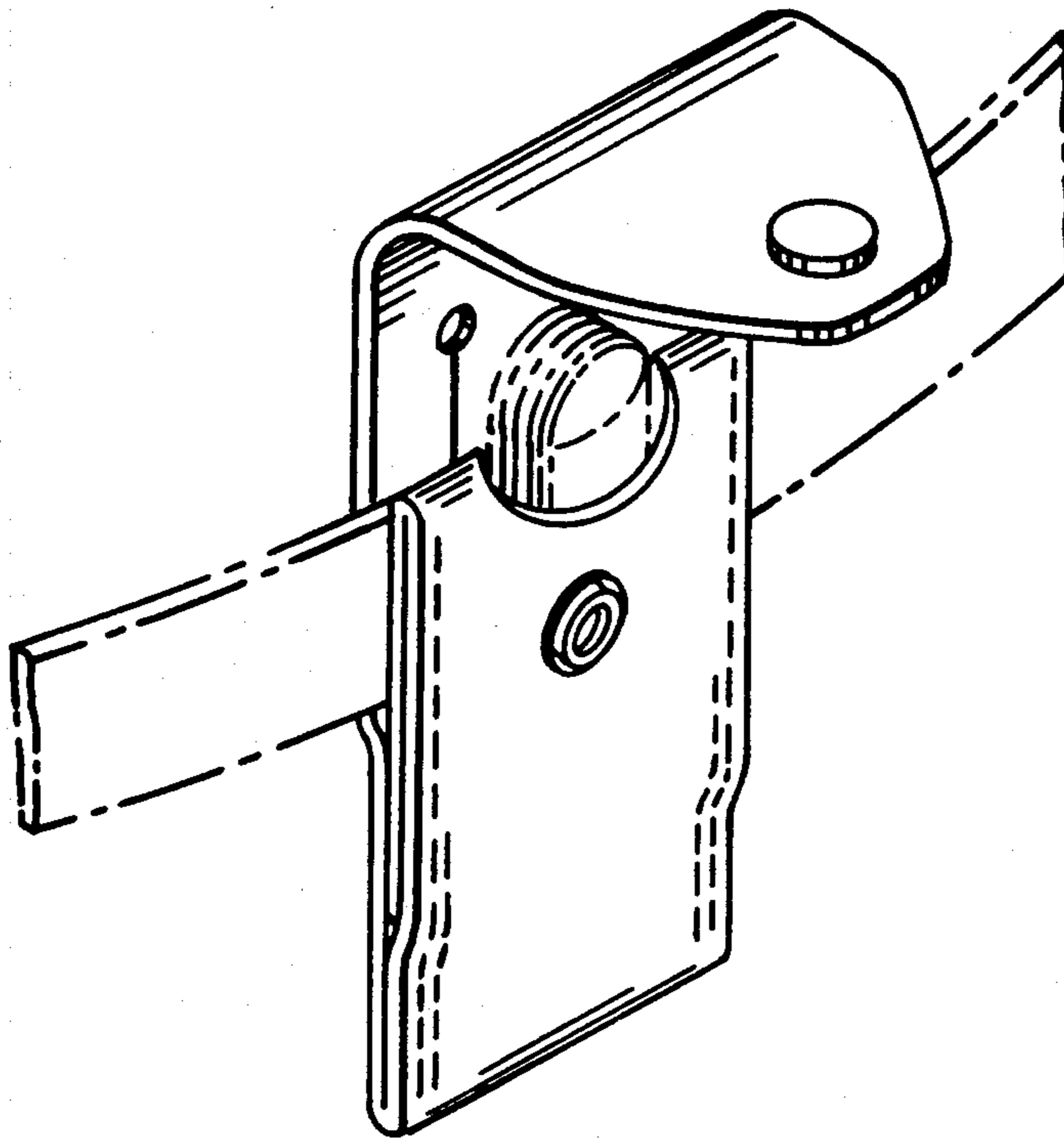


FIG. 1

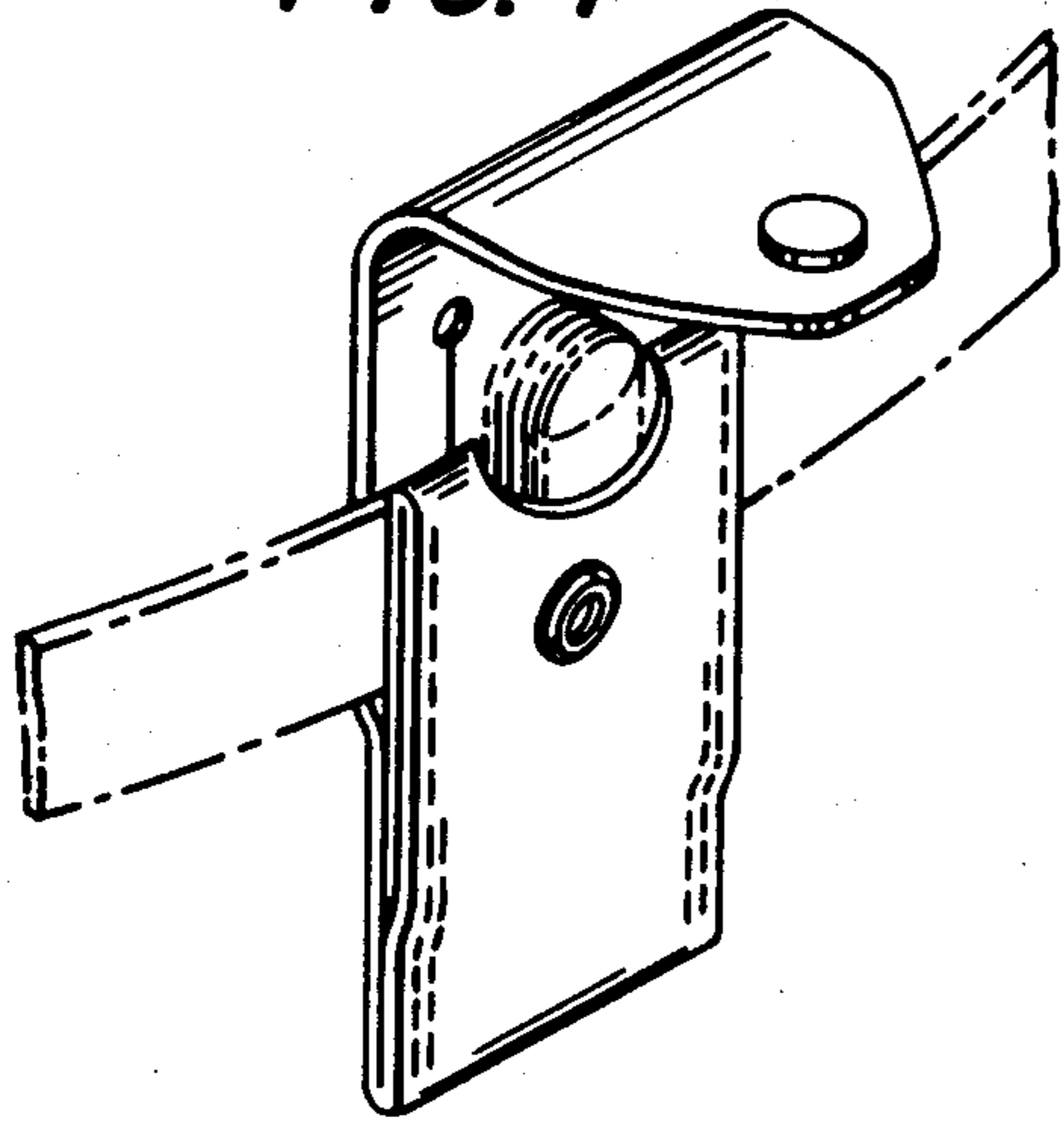


FIG. 4

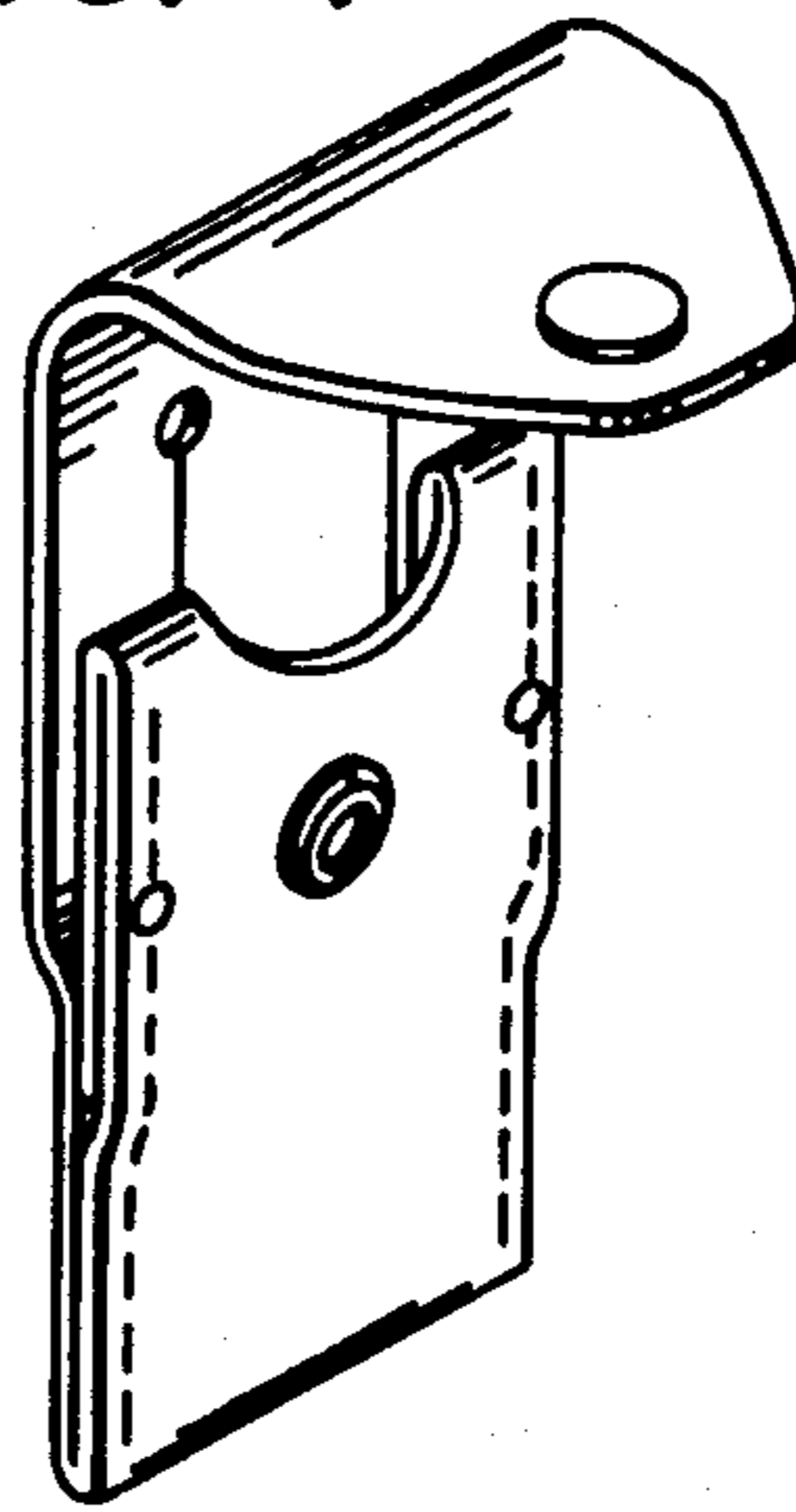


FIG. 7

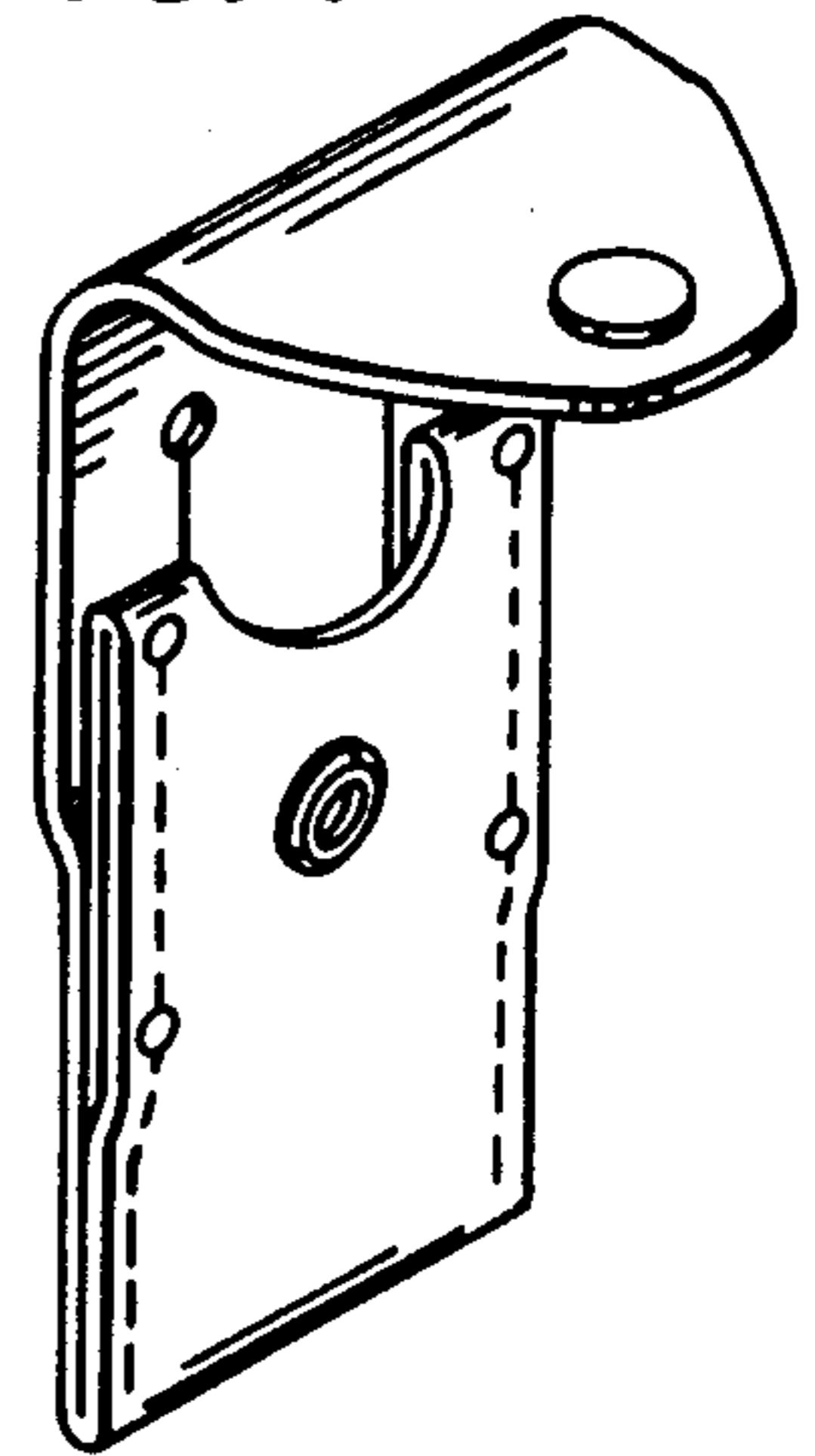


FIG. 2

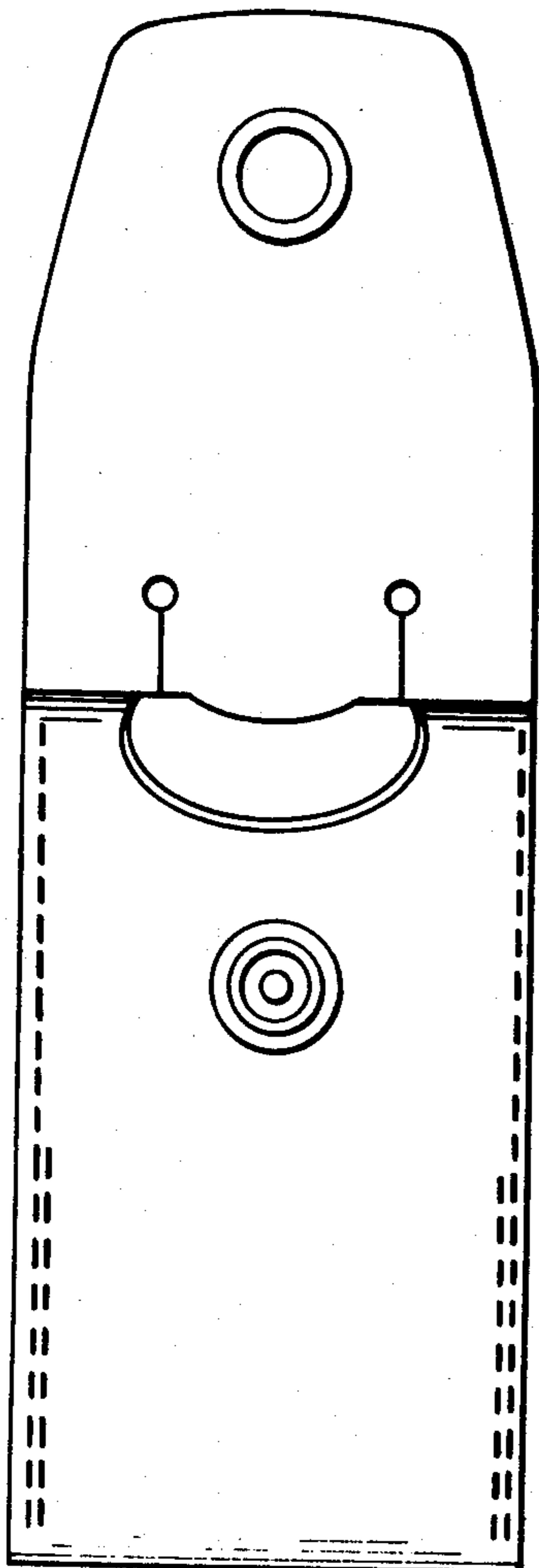


FIG. 3

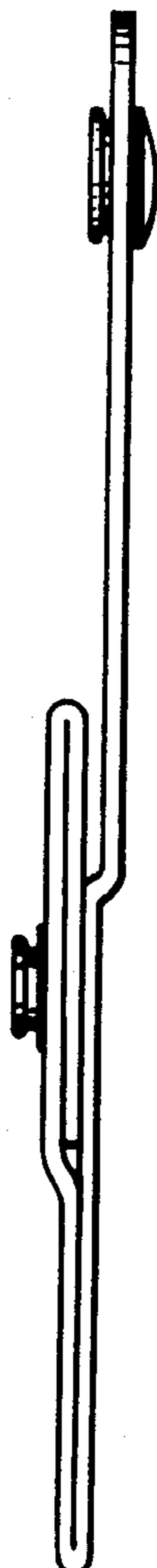


FIG. 5

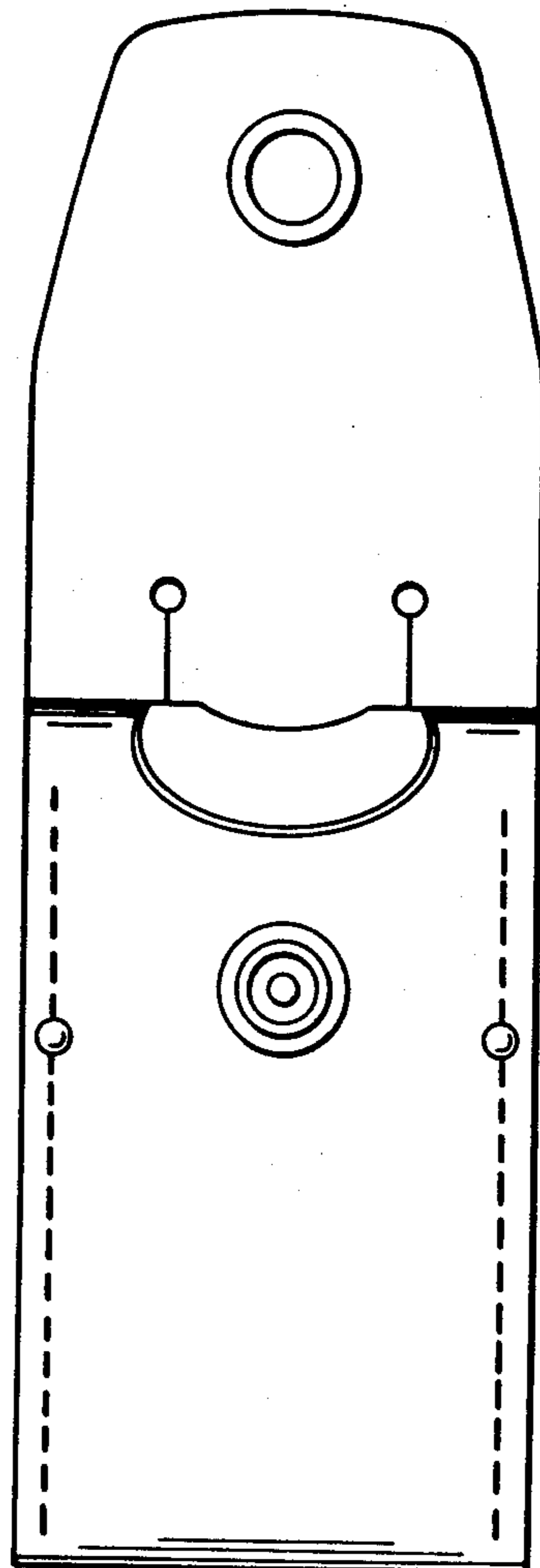


FIG. 6

