

[54] **ROTARY ACTUATOR FOR POSITIONING MAGNETIC HEAD ADJACENT THE SURFACE OF A MAGNETIC DISC**

3,969,768 7/1976 Ebbing 360/106 X

FOREIGN PATENT DOCUMENTS

2348084 5/1974 Fed. Rep. of Germany 360/105

[75] Inventors: **Danny L. Kilmer, Tujunga; Robert F. Stebe, Thousand Oaks, both of Calif.**

Primary Examiner—Susan J. Lucas
Attorney, Agent, or Firm—Gilbert G. Kovelman

[73] Assignee: **SLI Industries, Woodland Hills, Calif.**

[57] **CLAIM**

[**] Term: **14 Years**

The ornamental design for a rotary actuator for positioning magnetic head adjacent the surface of a magnetic disc, as shown.

[21] Appl. No.: **735,814**

DESCRIPTION

[22] Filed: **Oct. 26, 1976**

[51] Int. Cl. **D14-02**

FIG. 1 is a perspective view of a rotary actuator showing our new design;

[52] U.S. Cl. **D14/40**

FIG. 2 is an elevational view showing the side opposite that shown in FIG. 1;

[58] Field of Search **D14/40, 41, 42, 43, D14/44, 45, 46, 47, 49, 50, 51; 360/105, 106, 103**

FIG. 3 is an elevational view showing the end of the rotary actuator as viewed from the right in FIG. 1;

[56] **References Cited**

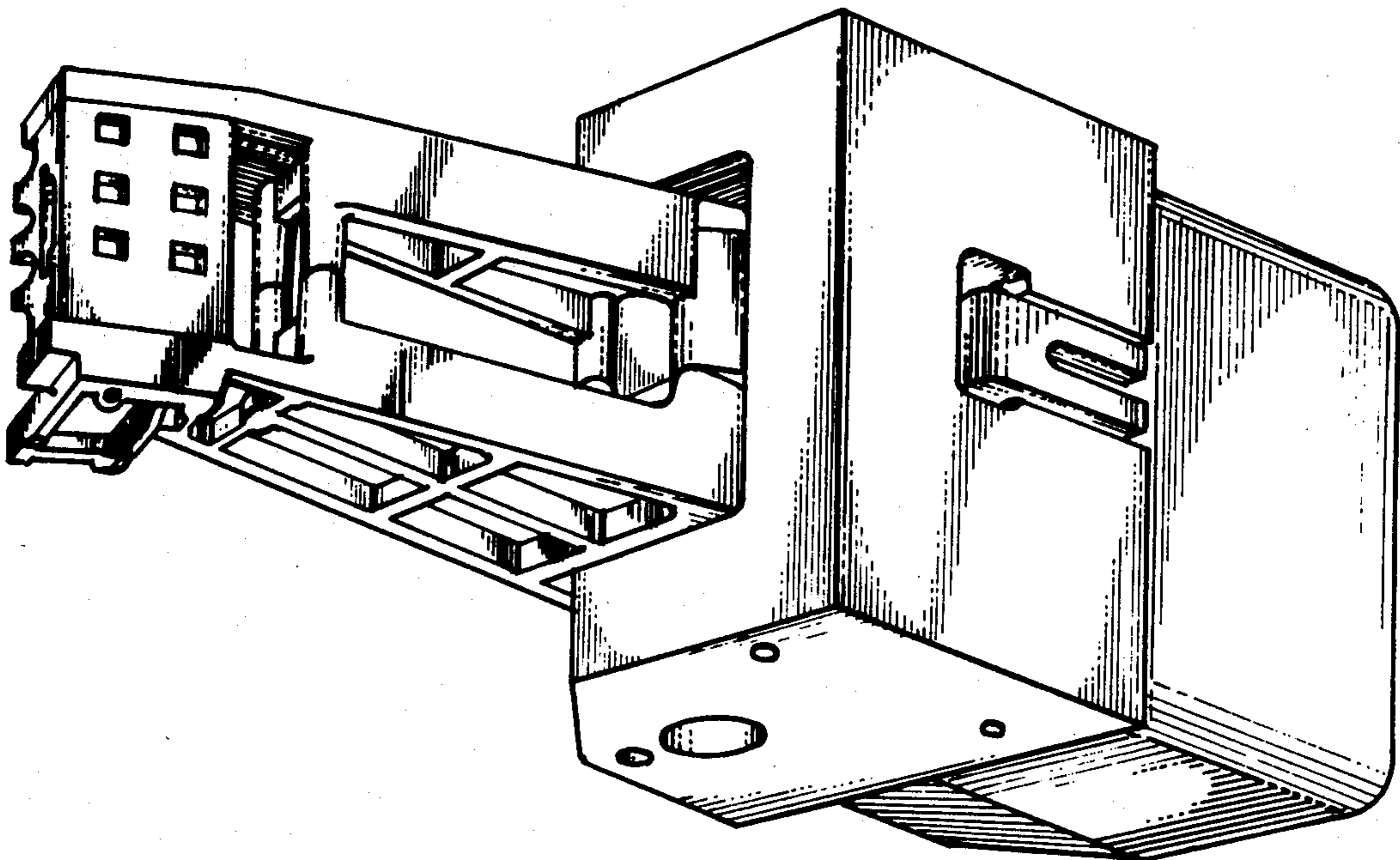
U.S. PATENT DOCUMENTS

3,673,583 6/1972 Wirth 360/106 X
3,770,905 11/1973 Sperry 360/106
3,950,783 4/1976 Herring et al. 360/106 X

FIG. 4 is a top plan view of the rotary actuator shown in FIG. 1; and

FIG. 5 is an elevational view showing the end of rotary actuator as viewed from the left in FIG. 1.

FIG. 6 is a perspective view of the side opposite that shown in FIG. 1.



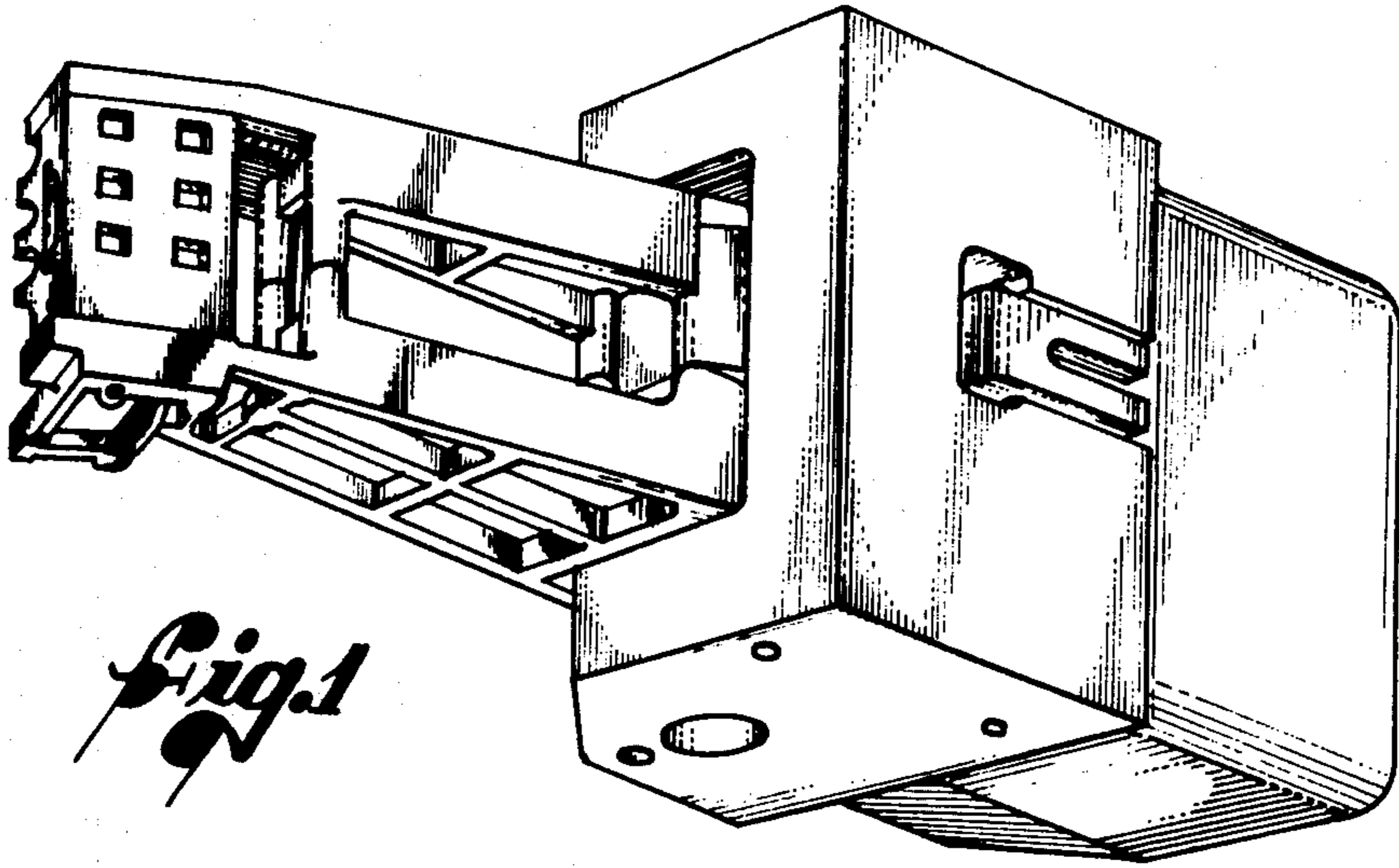


Fig. 1

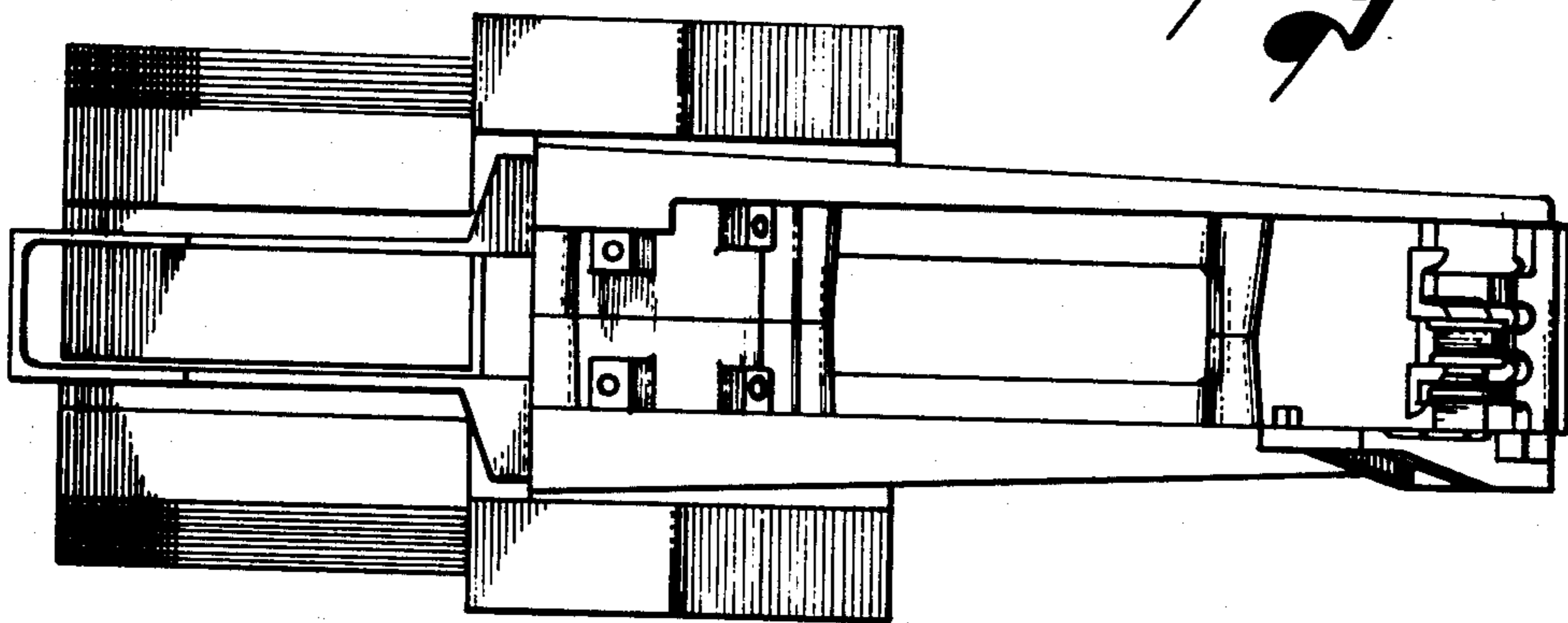


Fig. 2

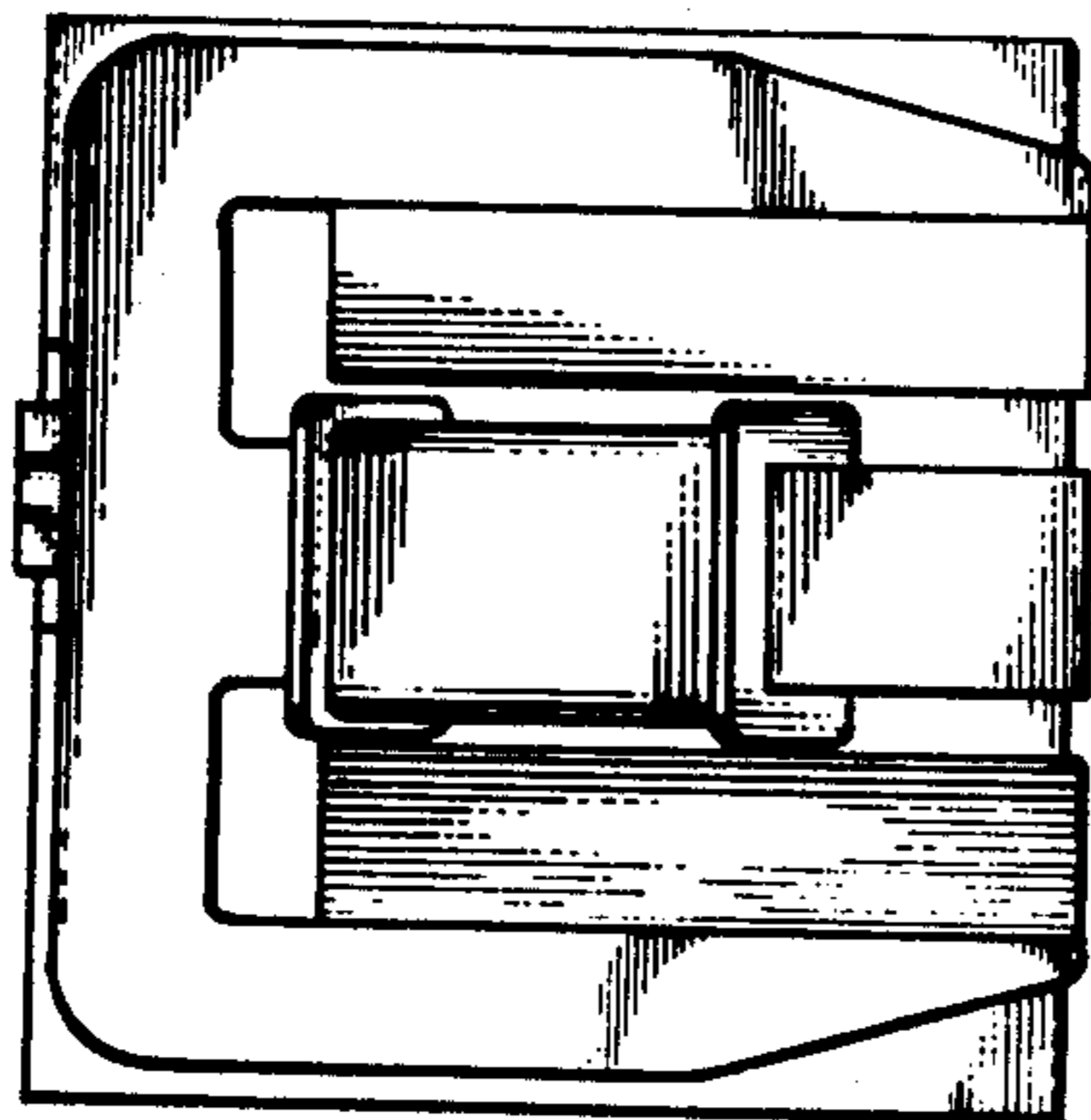


Fig. 3

Fig. 4

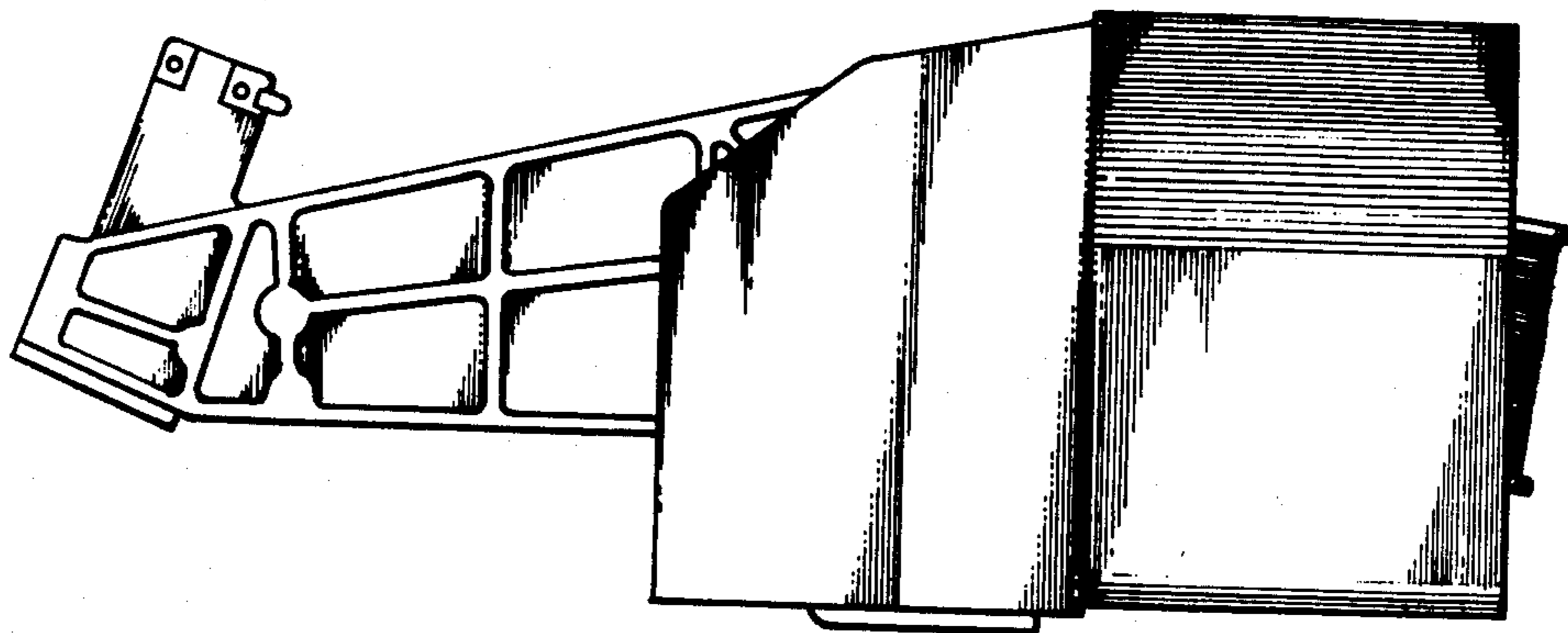
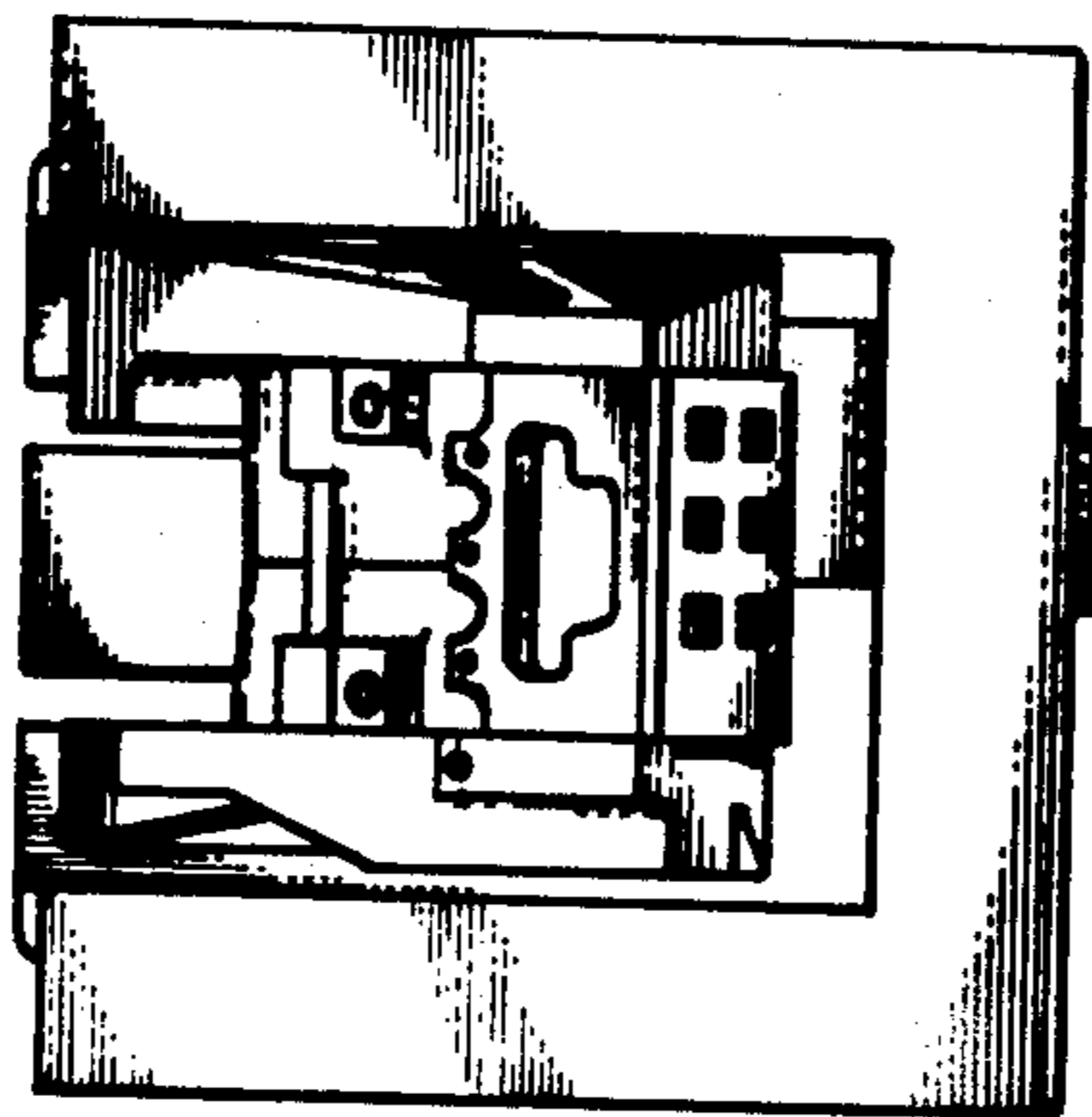


Fig. 5



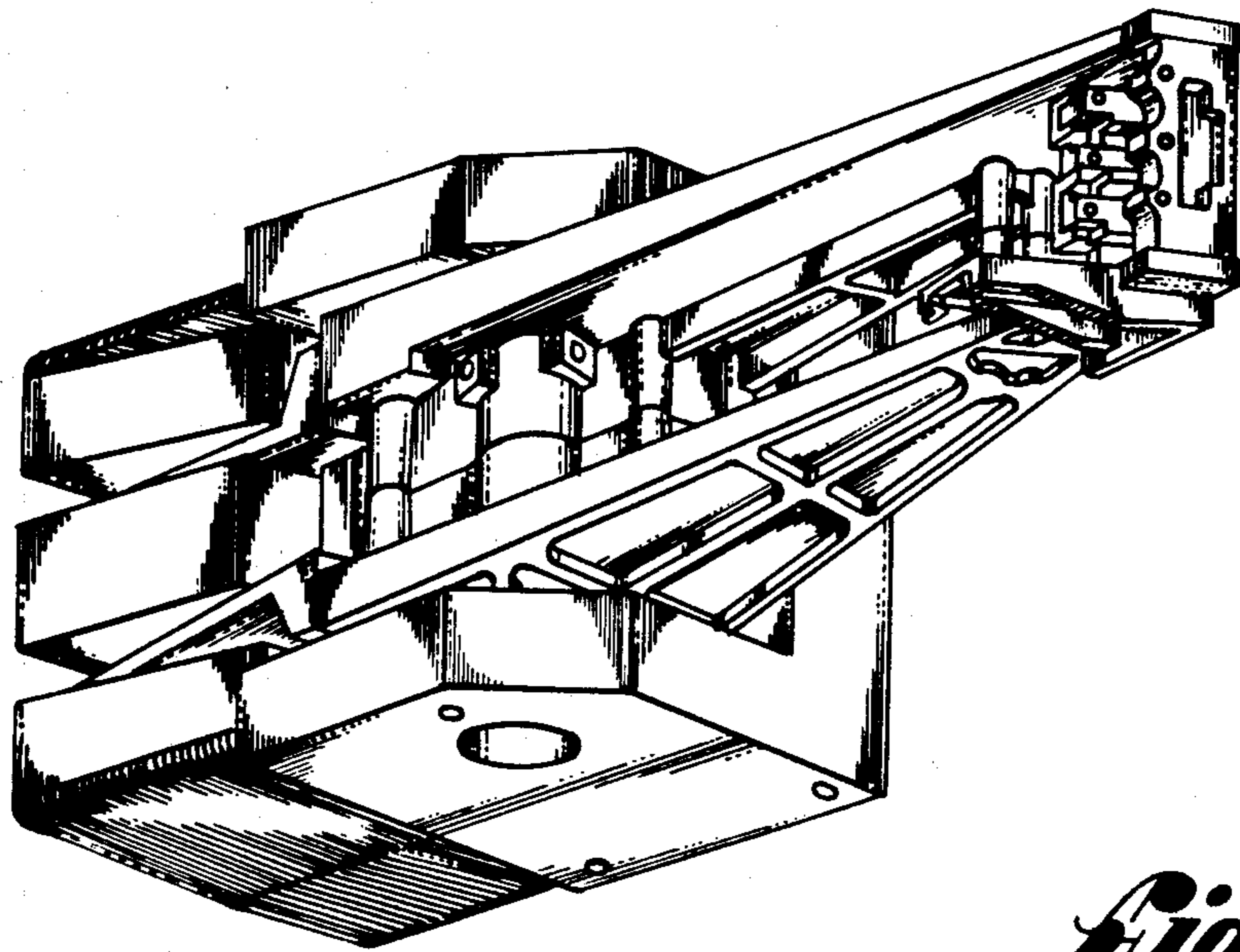


Fig. 6