

[54] COMBINED RADIO AND TAPE PLAYER OR SIMILAR ARTICLE

[76] Inventor: Paul J. Klucznik, 7587 King Rd., Manlius, N.Y. 13104

[**] Term: 14 Years

[21] Appl. No.: 792,673

[22] Filed: May 2, 1977

[51] Int. Cl. D14-01

[52] U.S. Cl. D14/5; D14/70

[58] Field of Search D14/5, 6, 70, 75; 360/137, 60, 96, 105; 274/4

[56] References Cited

U.S. PATENT DOCUMENTS

D. 234,408 2/1975 Kawano D14/70

D. 236,902	9/1975	Okada et al.	D14/5
D. 244,212	5/1977	Hisano	D14/5
D. 244,799	6/1977	Kolwaite	D14/75
3,899,795	8/1975	Watanabe	360/137

Primary Examiner—Bernard Ansher
Attorney, Agent, or Firm—Leonard J. Platt

[57] CLAIM

The ornamental design for a combined radio and tape player or similar article, as shown.

DESCRIPTION

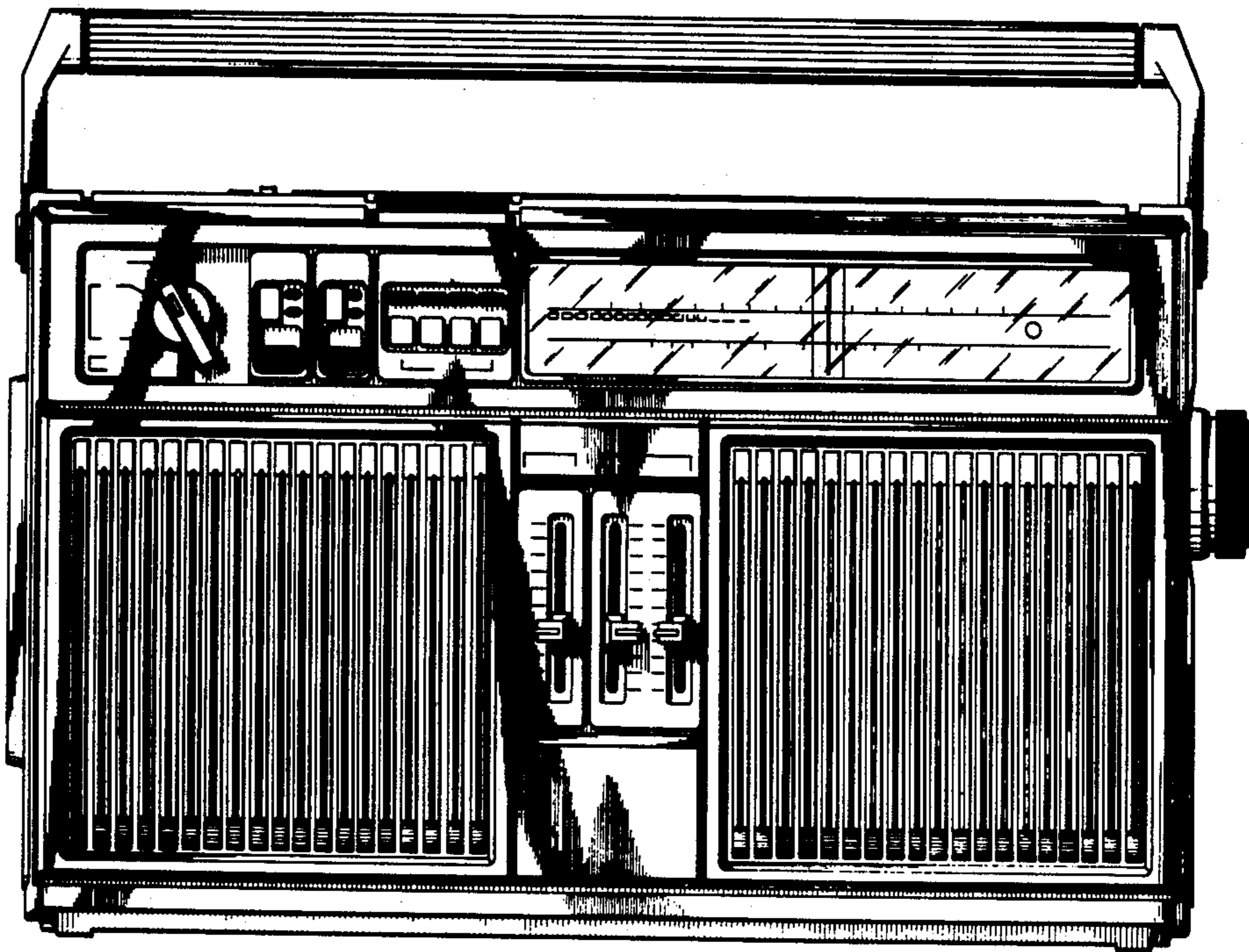
FIG. 1 is a front elevational view of a combined radio and tape player or similar article showing my new design;

FIG. 2 is a rear elevational view thereof;

FIG. 3 is a right side elevational view thereof;

FIG. 4 is a left side elevational view thereof; and

FIG. 5 is a top plan view thereof.



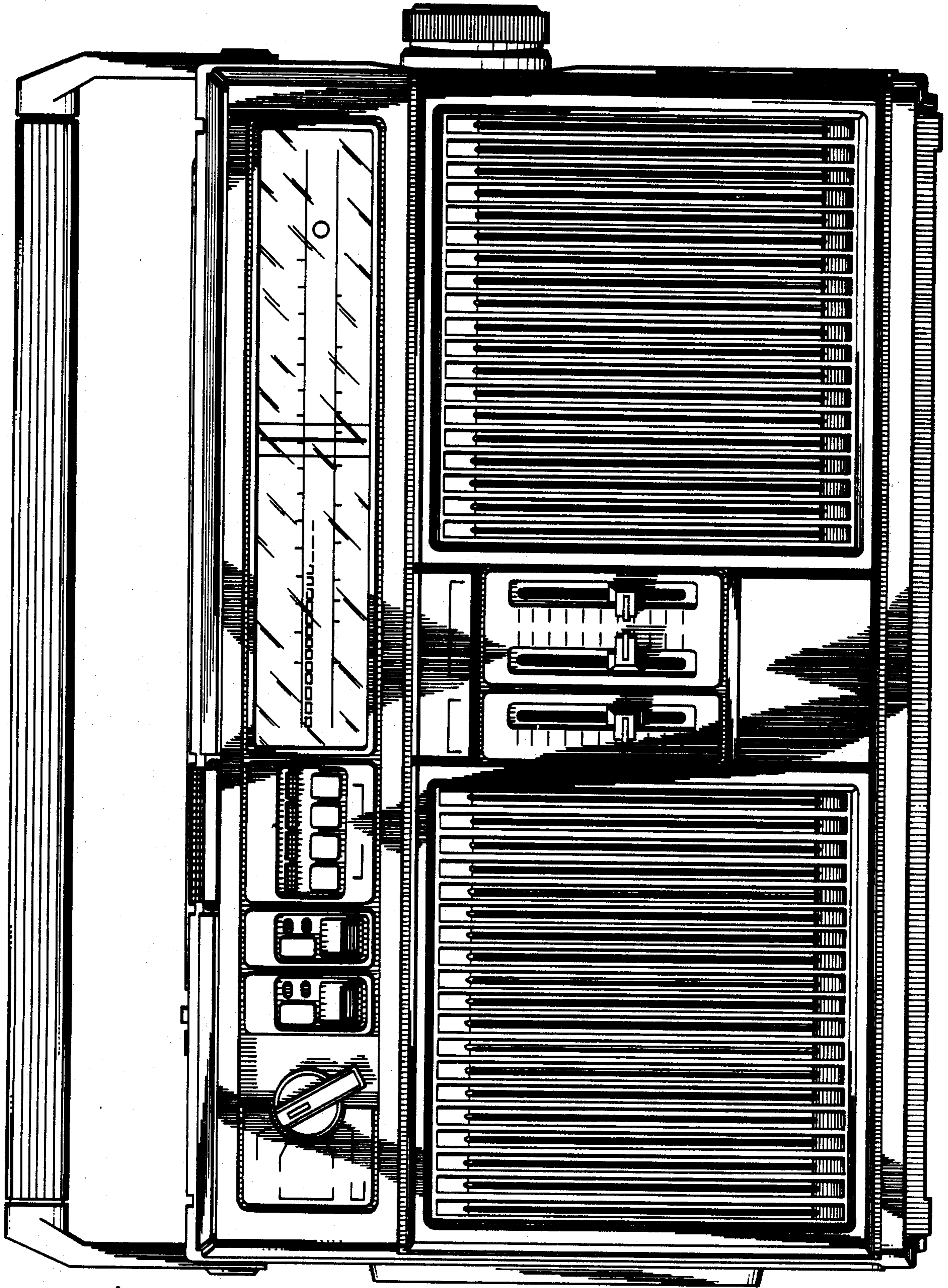


Fig. 1.

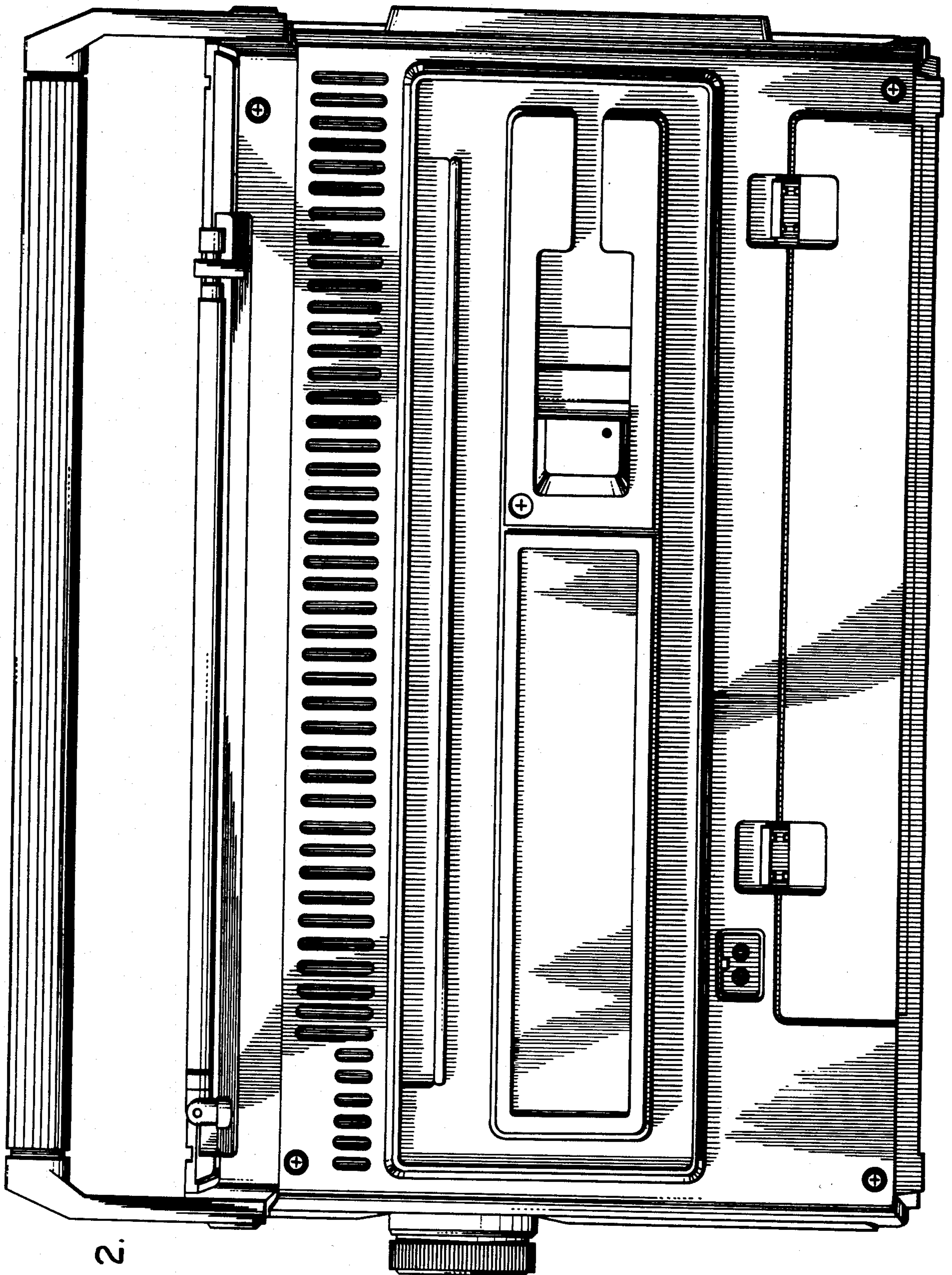


Fig. 2.

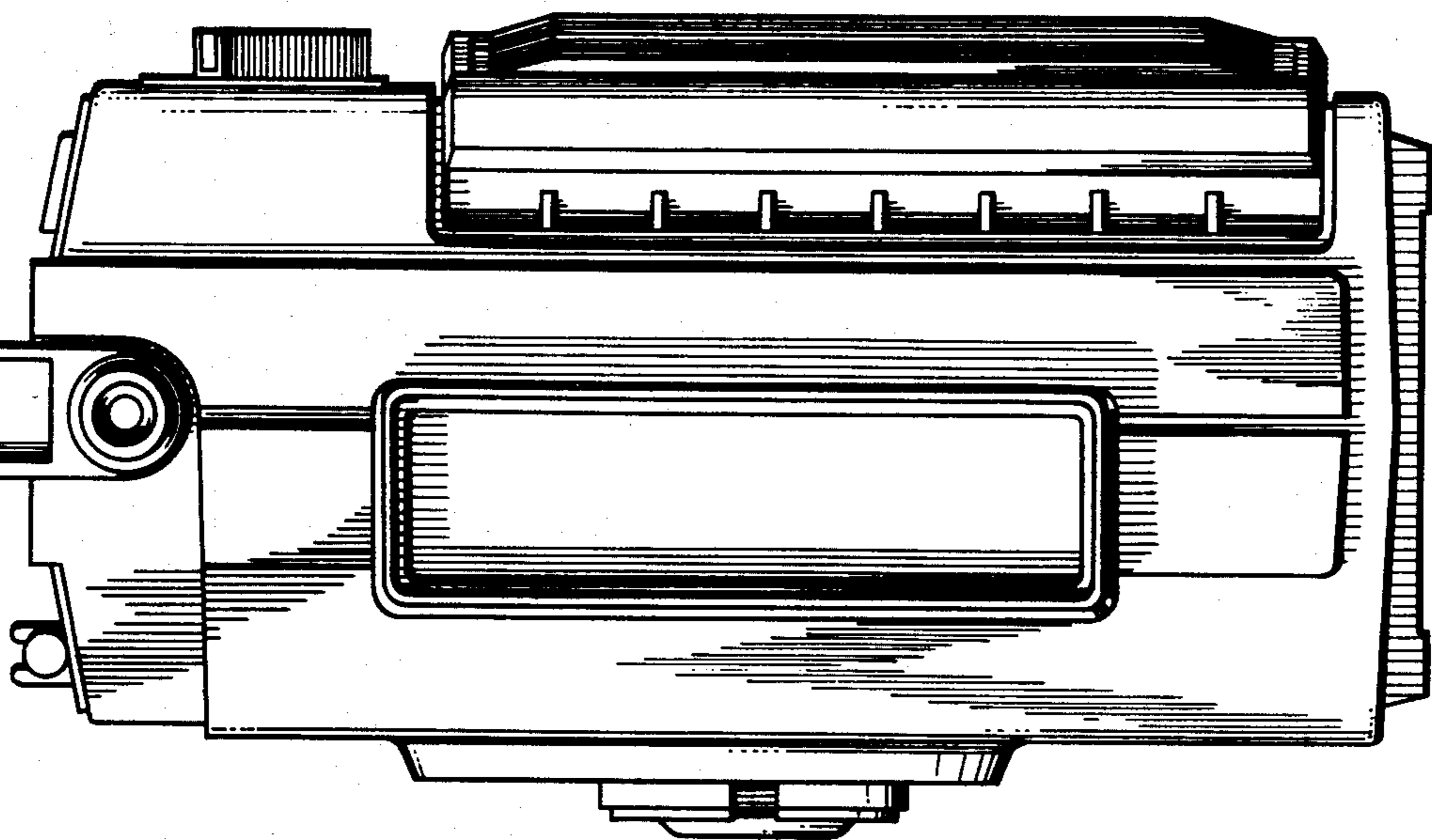


Fig. 4.

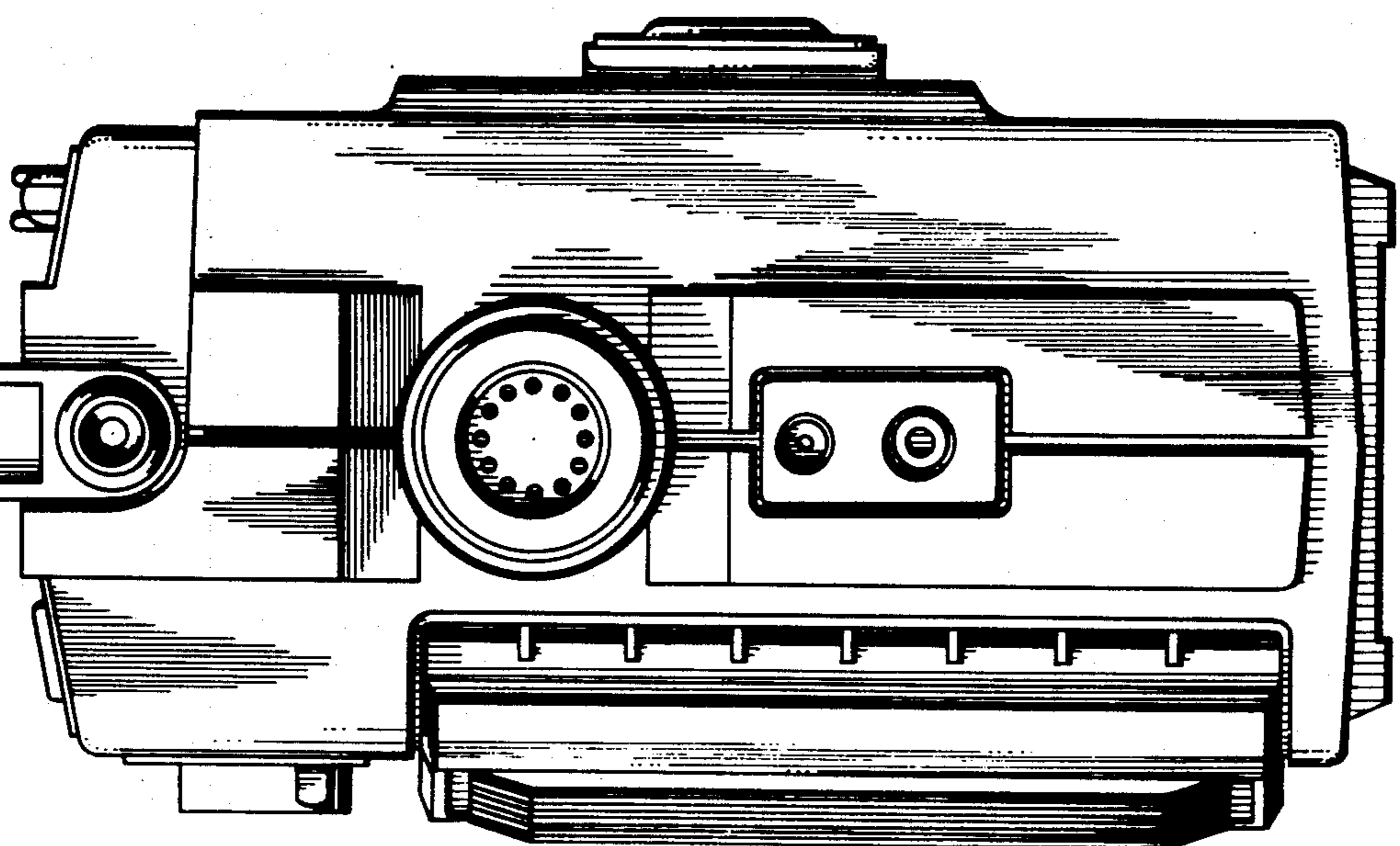


Fig. 3.

Fig. 5.

