

[54] BICYCLE PEDAL TREAD

[75] Inventor: Robert F. Humlong, Maysville, Ky.

[73] Assignee: Wald Manufacturing Co., Inc., Maysville, Ky.

[**] Term: 14 Years

[21] Appl. No.: 868,151

[22] Filed: Jan. 9, 1978

[51] Int. Cl. D12-11

[52] U.S. Cl. D12/125

[58] Field of Search D12/125; 74/594.4

[56] References Cited

U.S. PATENT DOCUMENTS

- 3,709,058 1/1973 Pawsat 74/594.4
- 3,802,292 4/1974 Haberkorn et al. 74/594.4

FOREIGN PATENT DOCUMENTS

1236493 6/1960 France 74/594.4

Primary Examiner—James M. Gandy
Attorney, Agent, or Firm—J. Warren Kinney, Jr.

[57] CLAIM

The ornamental design for bicycle pedal tread, as shown.

DESCRIPTION

FIG. 1 is a top perspective view of a bicycle pedal tread showing my new design.

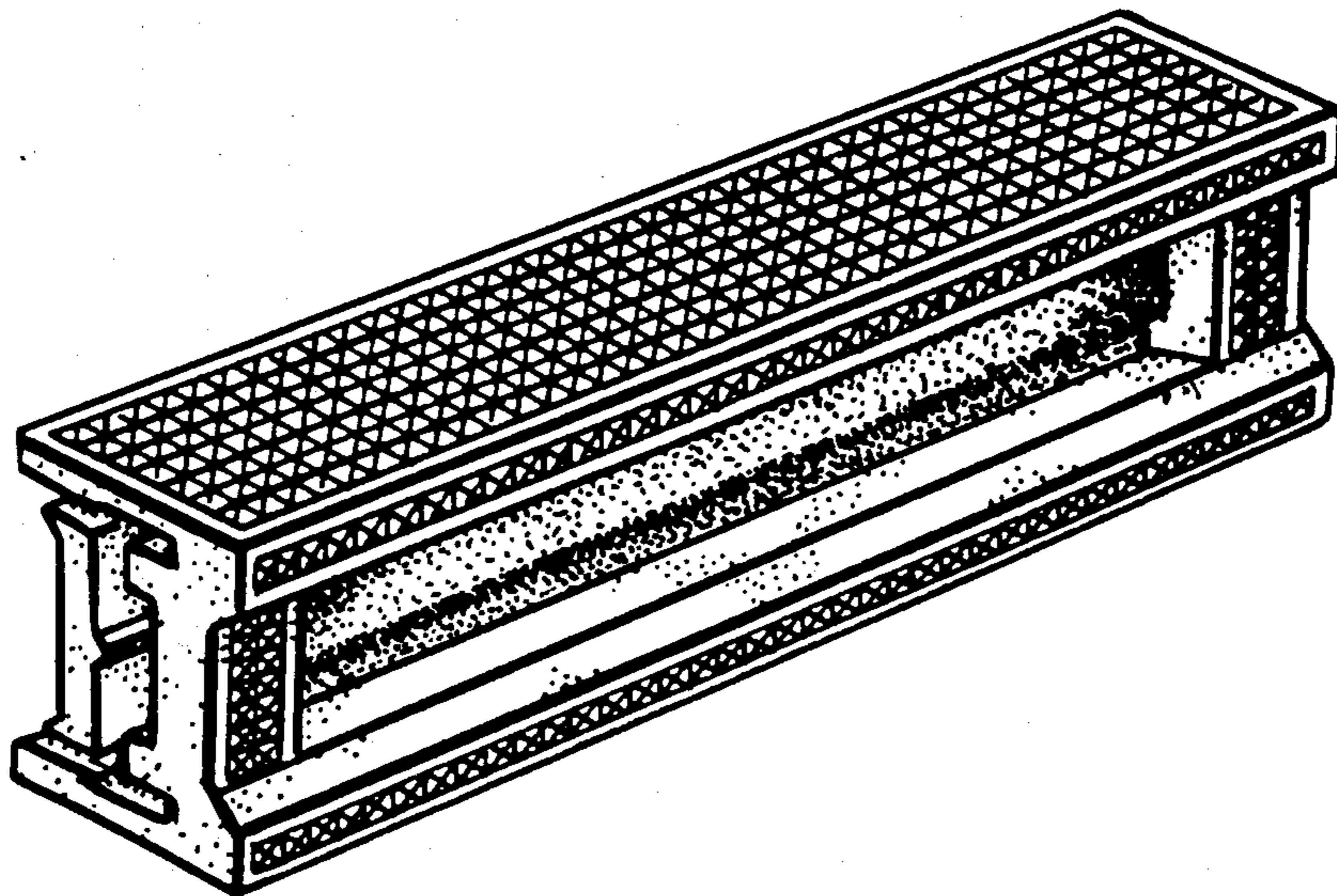
FIG. 2 is a bottom rear perspective view thereof.

FIG. 3 is a front elevational view thereof.

FIG. 4 is a rear elevational view thereof.

FIG. 5 is an end elevational view thereof.

FIG. 6 is an end elevational view thereof opposite to that shown in FIG. 5.



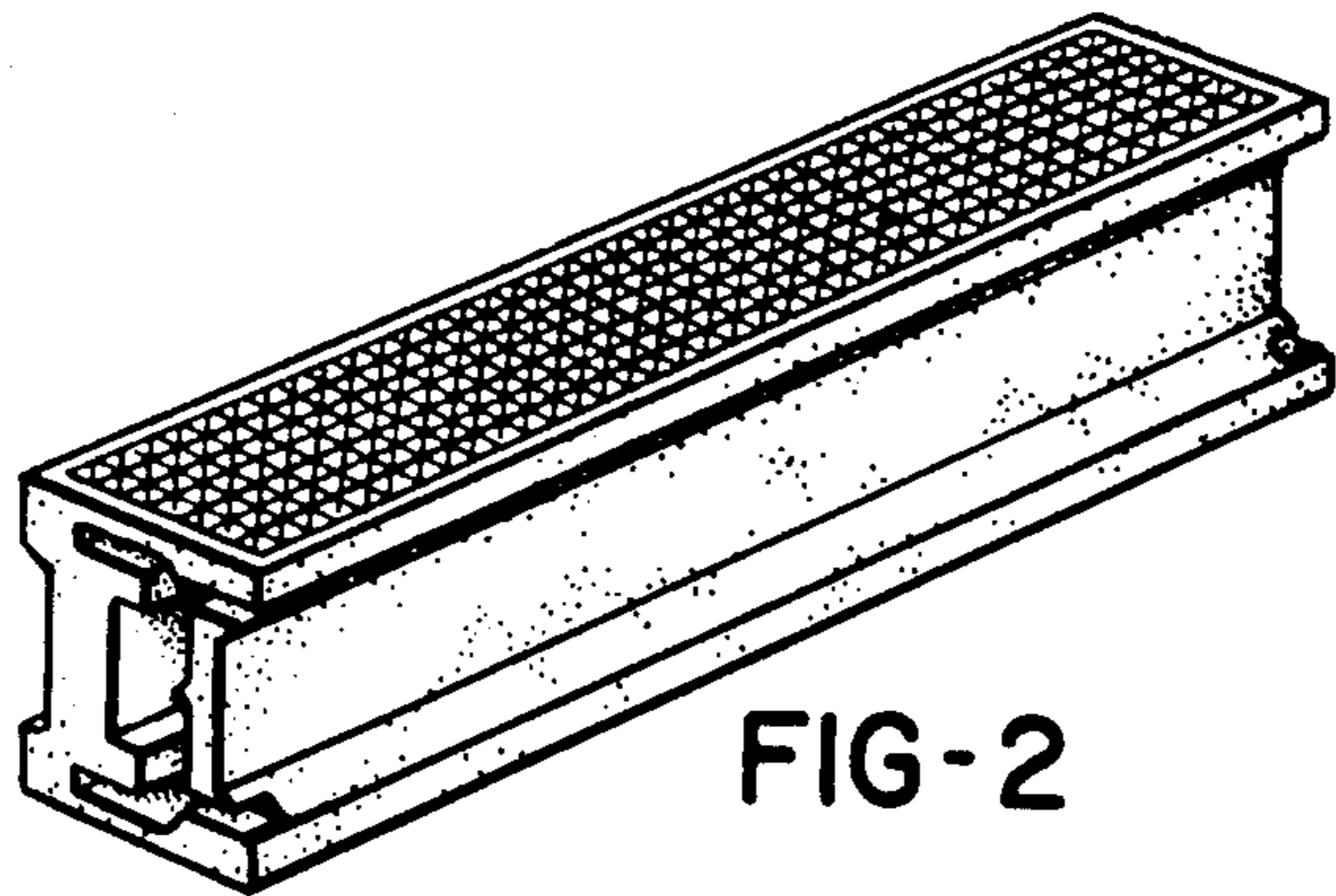
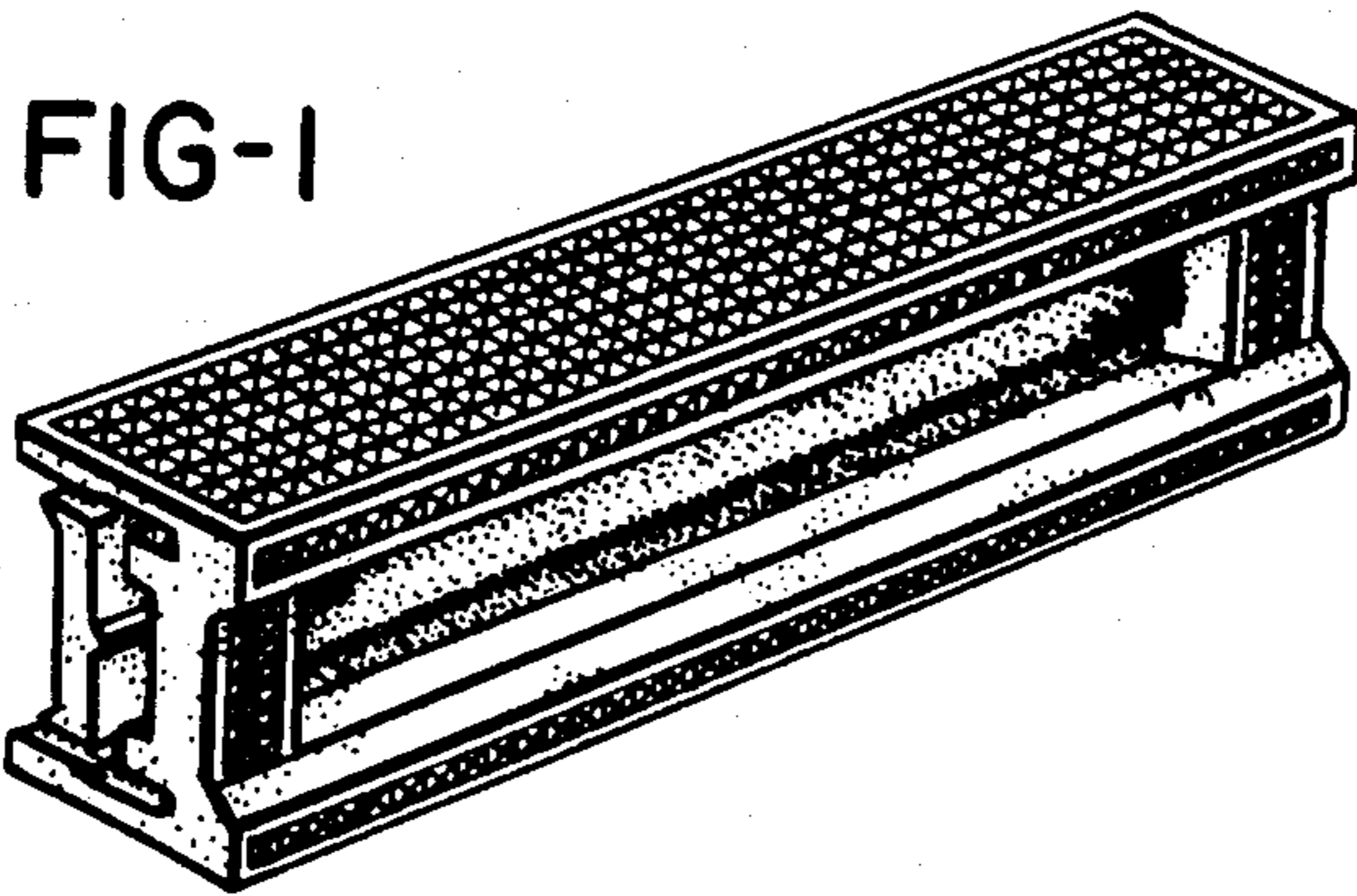


FIG-2

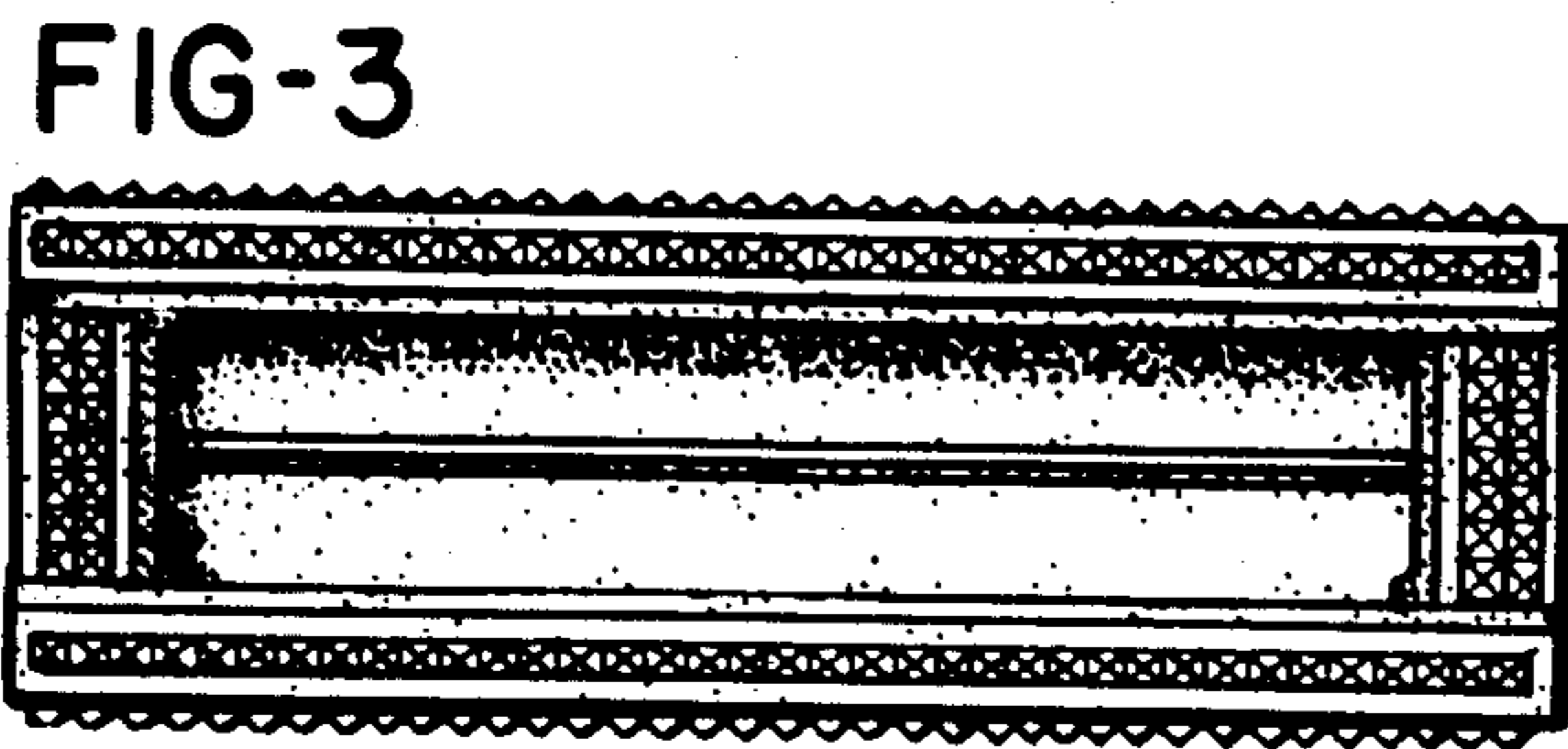


FIG-4

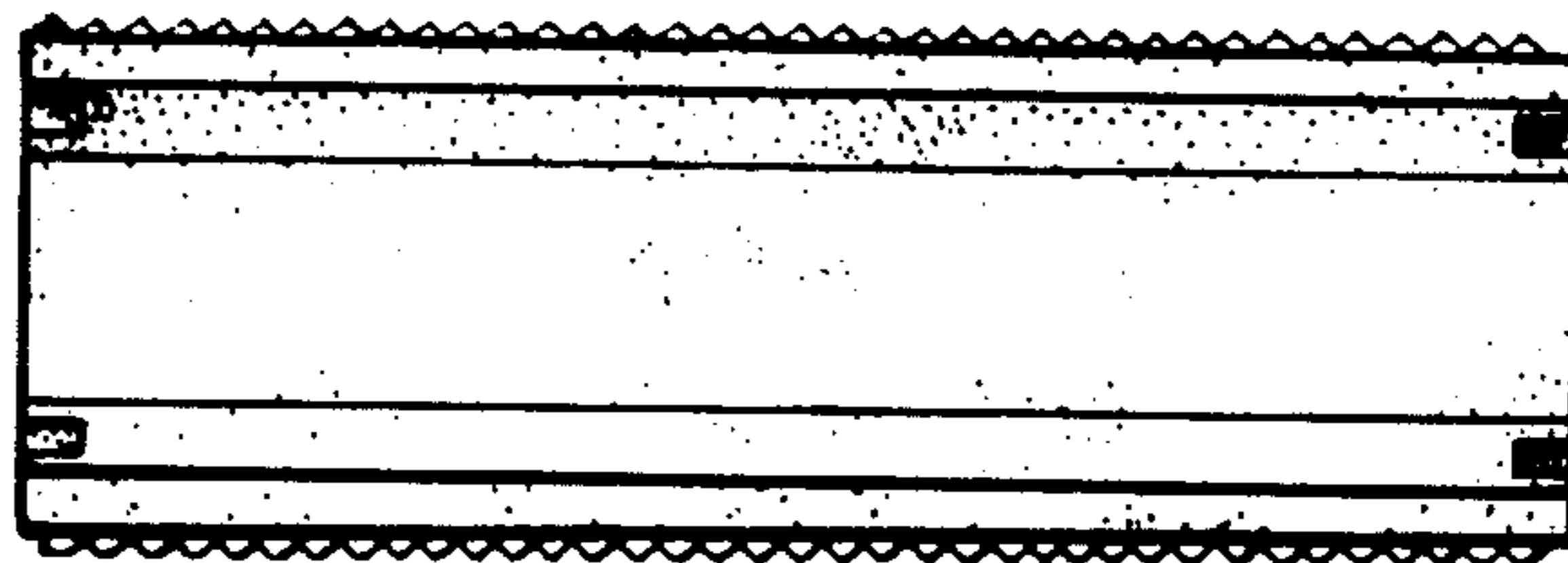


FIG-5



FIG-6