

[54] **AIRCRAFT**

[75] **Inventor:** Gordon Rosenthal, Jericho, N.Y.

[73] **Assignee:** Fairchild Industries, Inc.

[**] **Term:** 14 Years

[21] **Appl. No.:** 742,410

[22] **Filed:** Nov. 16, 1976

[51] **Int. Cl.** D12-07

[52] **U.S. Cl.** D12/78

[58] **Field of Search** D12/78, 71

[56] **References Cited**

U.S. PATENT DOCUMENTS

D. 193,161 7/1962 Le Veille et al. D12/78
D. 213,528 3/1969 Rellis D12/78

Primary Examiner—Alan P. Douglas
Attorney, Agent, or Firm—Michael W. York

[57] **CLAIM**

The ornamental design for an aircraft, substantially as shown and described.

DESCRIPTION

FIG. 1 is a top plan view of said aircraft;
FIG. 2 is an elevational view of one side of said aircraft, the elevational view of the other side being substantially a mirror image thereof;
FIG. 3 is an elevational view of the front of said aircraft;
FIG. 4 is a bottom plan view of said aircraft;
FIG. 5 is an elevational view of the rear of said aircraft.

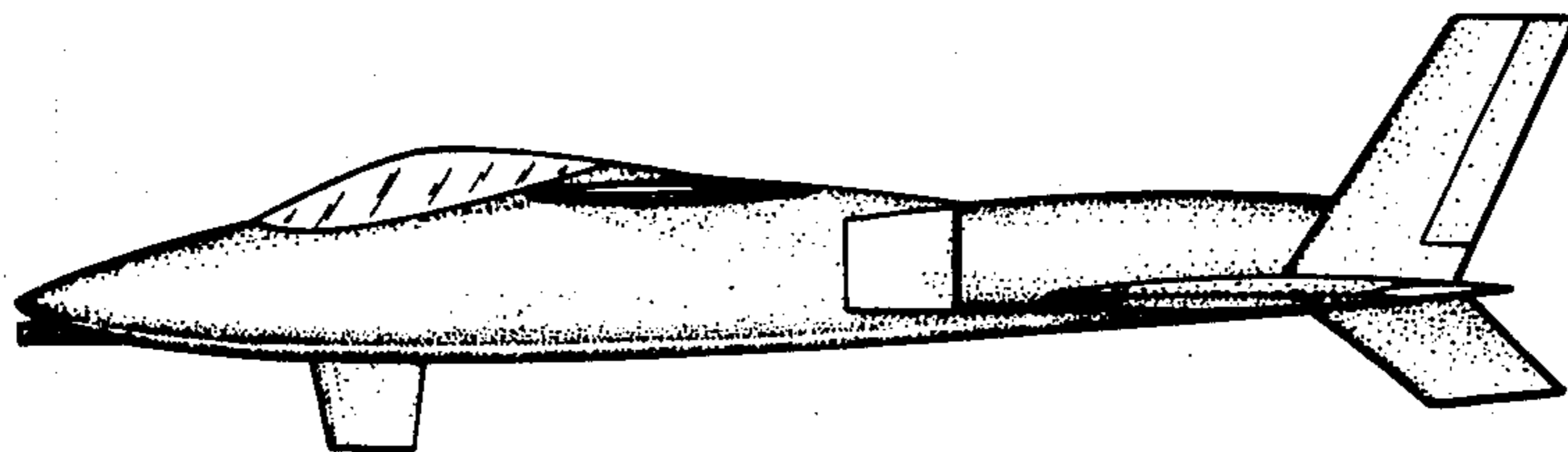
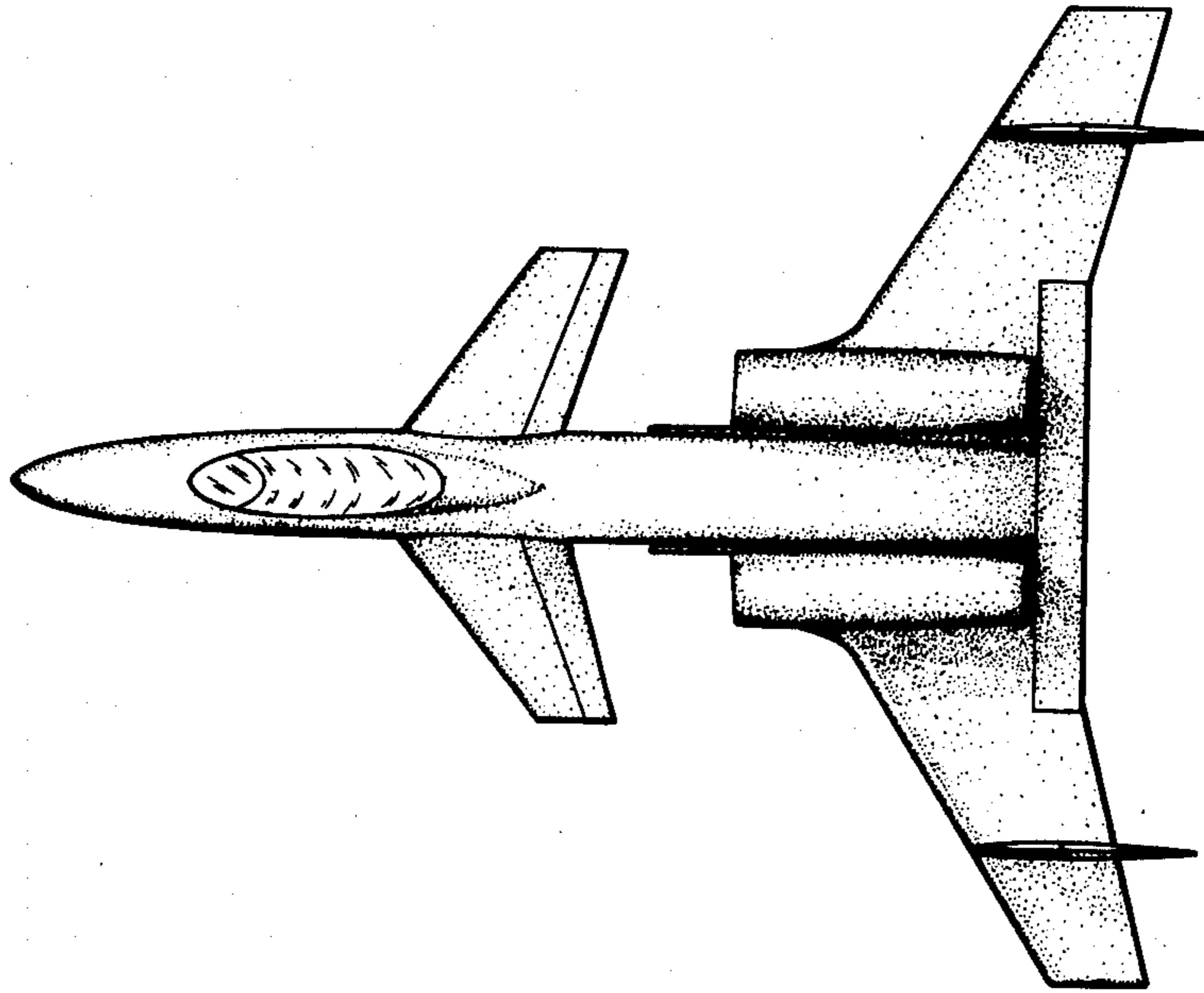


Fig. 1

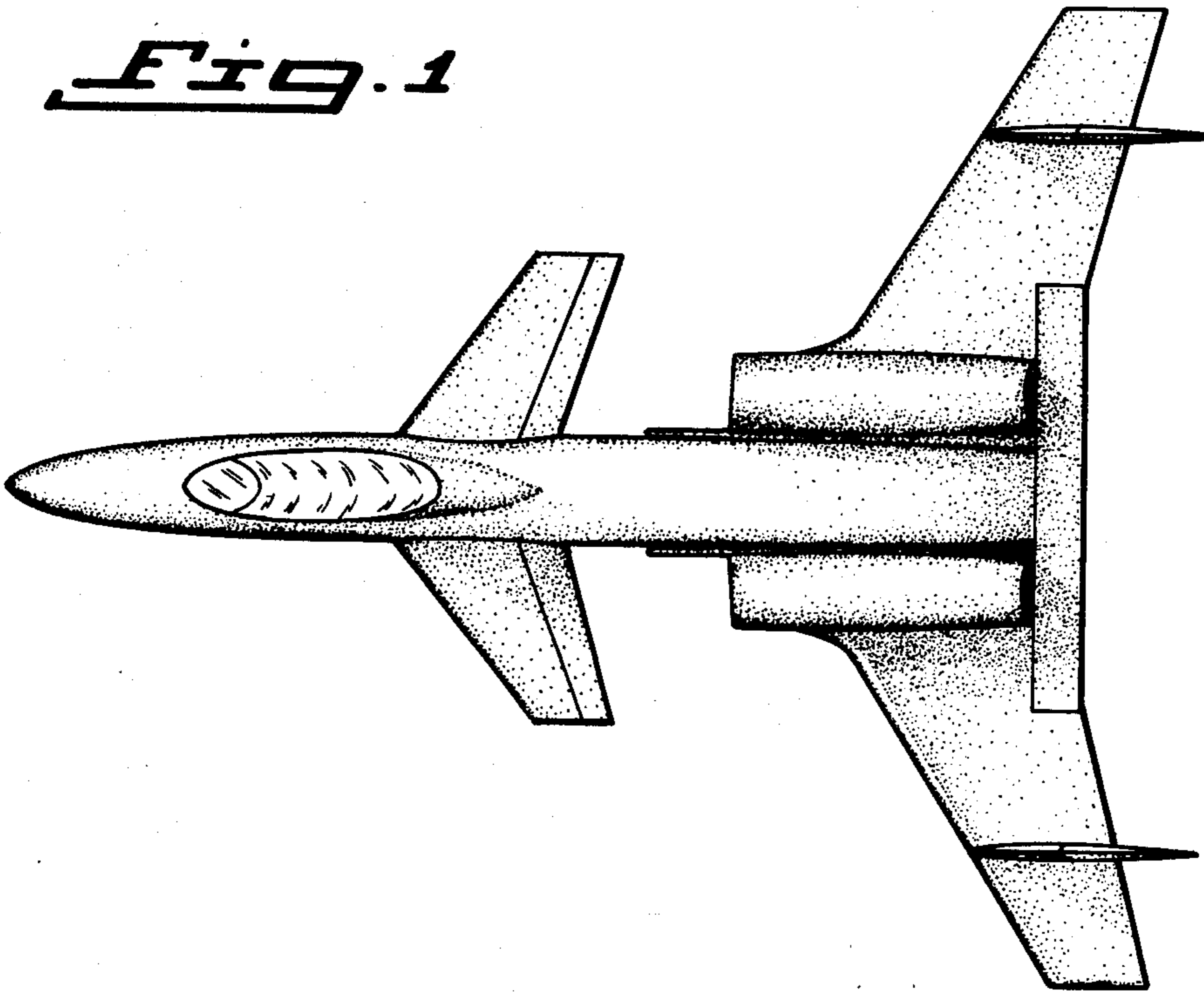


Fig. 2

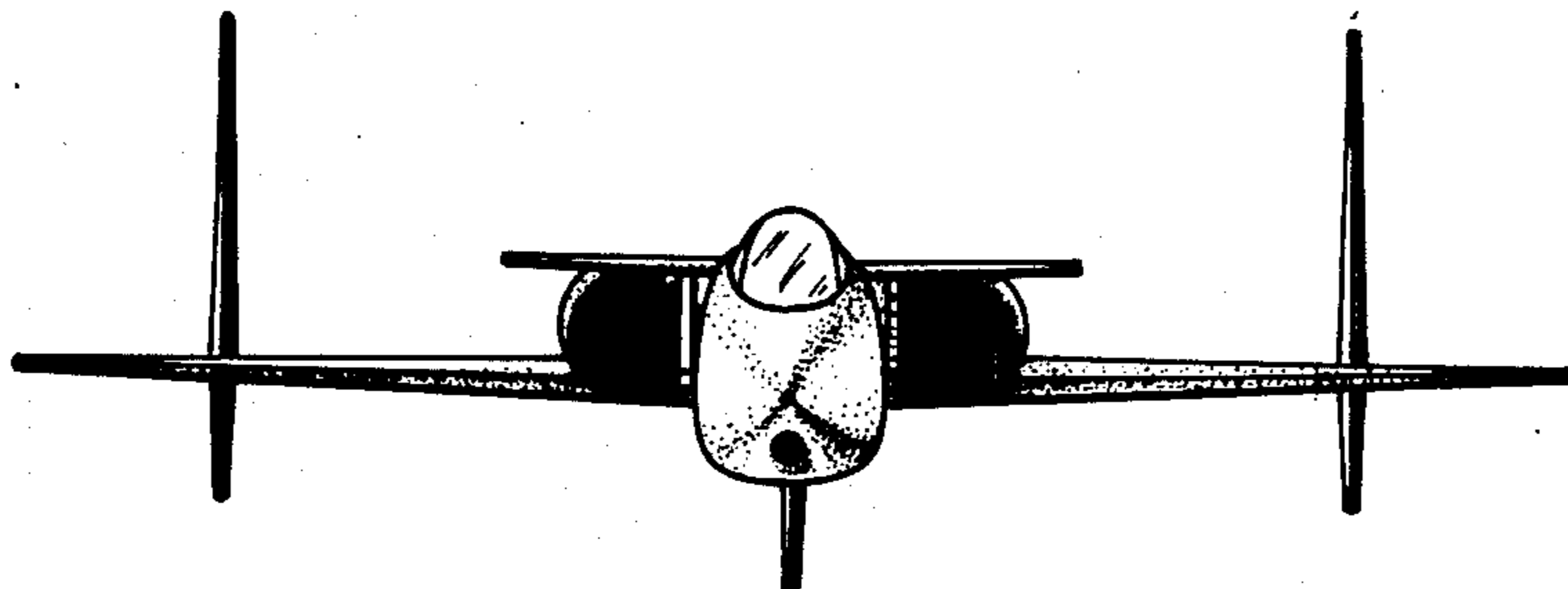
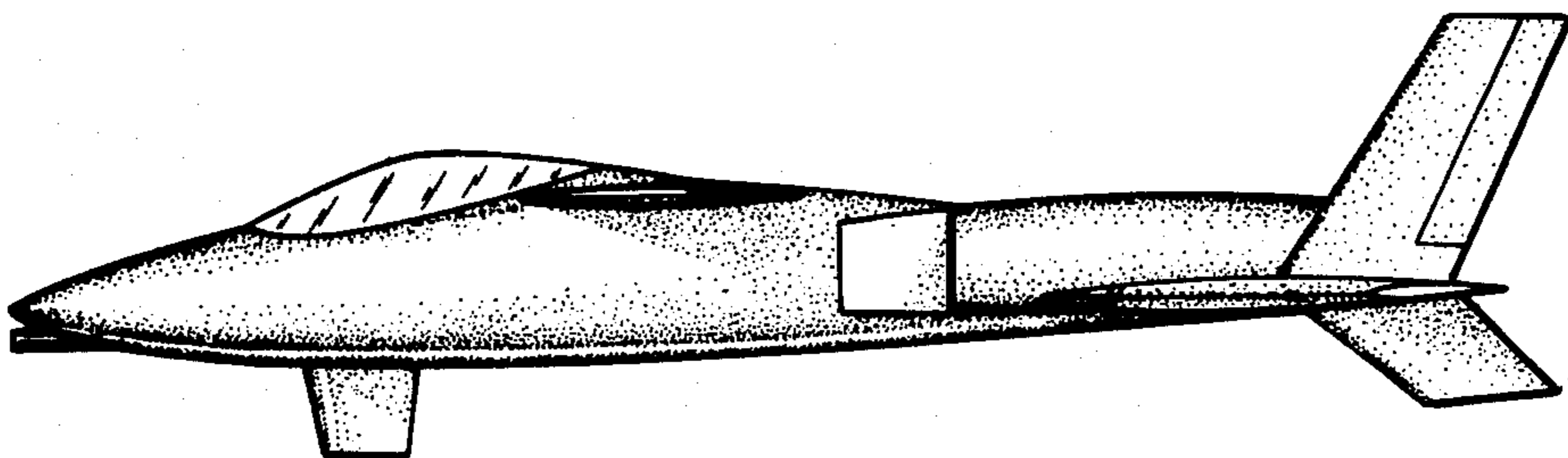


Fig. 3

Fig. 4

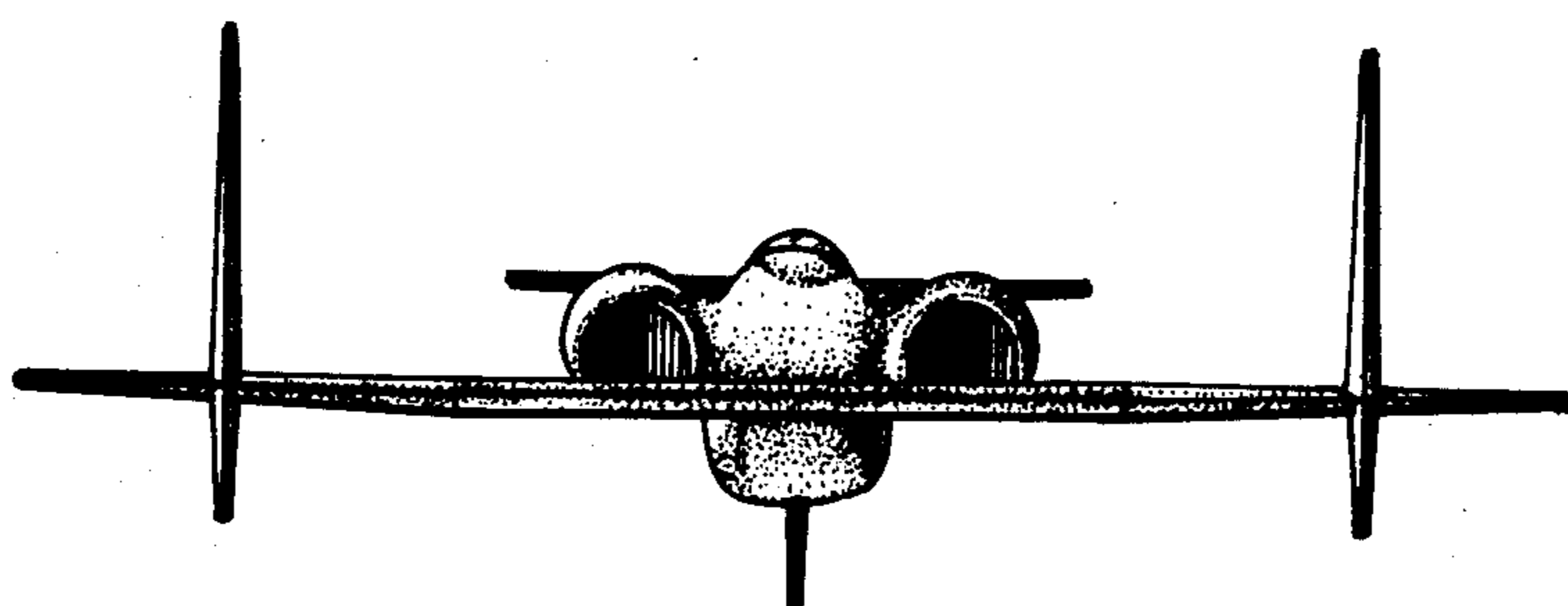
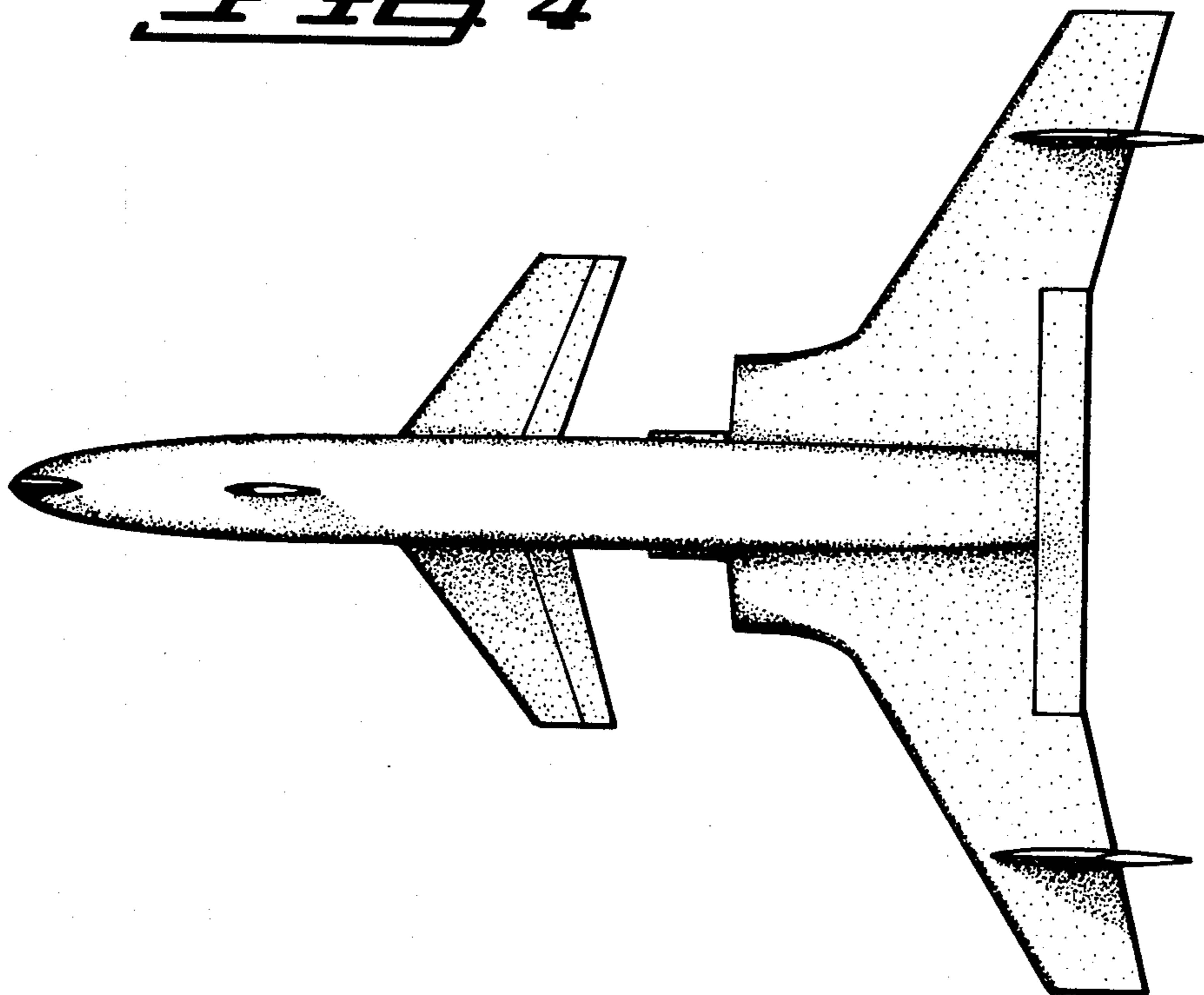


Fig. 5