

[54] STORAGE CART

[76] Inventor: Robert F. Bladis, 2 High Point Dr.,
Mountainside, N.J. 07092

[**] Term: 14 Years

[21] Appl. No.: 827,139

[22] Filed: Aug. 24, 1977

[51] Int. Cl. D12-02

[52] U.S. Cl. D12/25

[58] Field of Search D12/25, 29; 280/47.34,
280/47.35, 79.1 R, 79.1 A, 79.2, 79.3, 651

[56] References Cited

U.S. PATENT DOCUMENTS

D. 219,649 1/1971 Salcman et al. D12/25
D. 237,597 11/1975 Clarke et al. D12/25

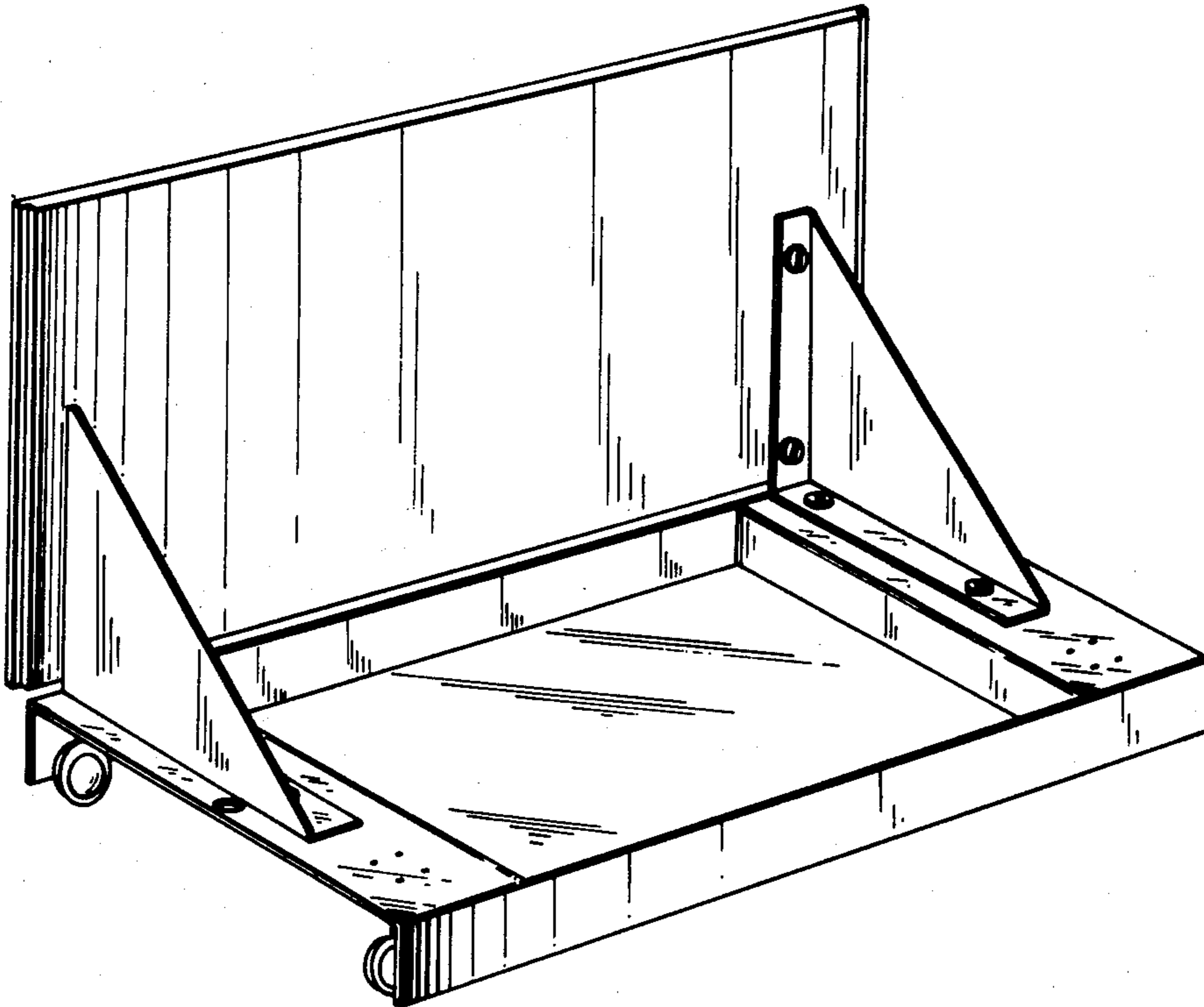
Primary Examiner—James M. Gandy
Attorney, Agent, or Firm—Lawrence I. Lerner

[57] CLAIM

The ornamental design for a storage cart, as shown.

DESCRIPTION

FIG. 1 is a perspective view of a storage cart embodying my new design;
FIG. 2 is a right side elevational view thereof, the left side being a mirror image of the right side shown herein;
FIG. 3 is a top plan view thereof;
FIG. 4 is a front elevational view thereof;
FIG. 5 is a bottom plan view thereof; and
FIG. 6 is a back elevational view thereof.



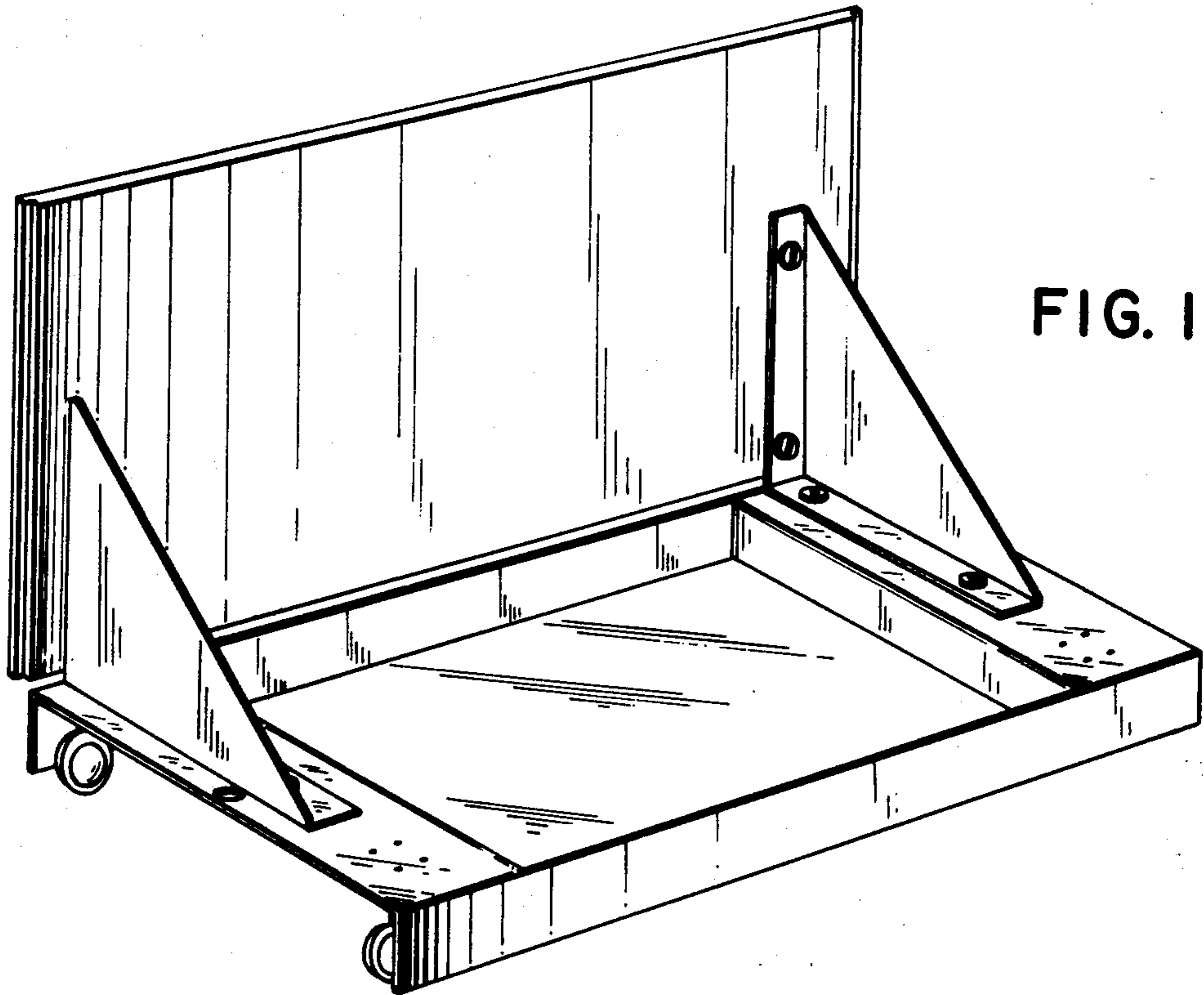


FIG. 1

FIG. 2

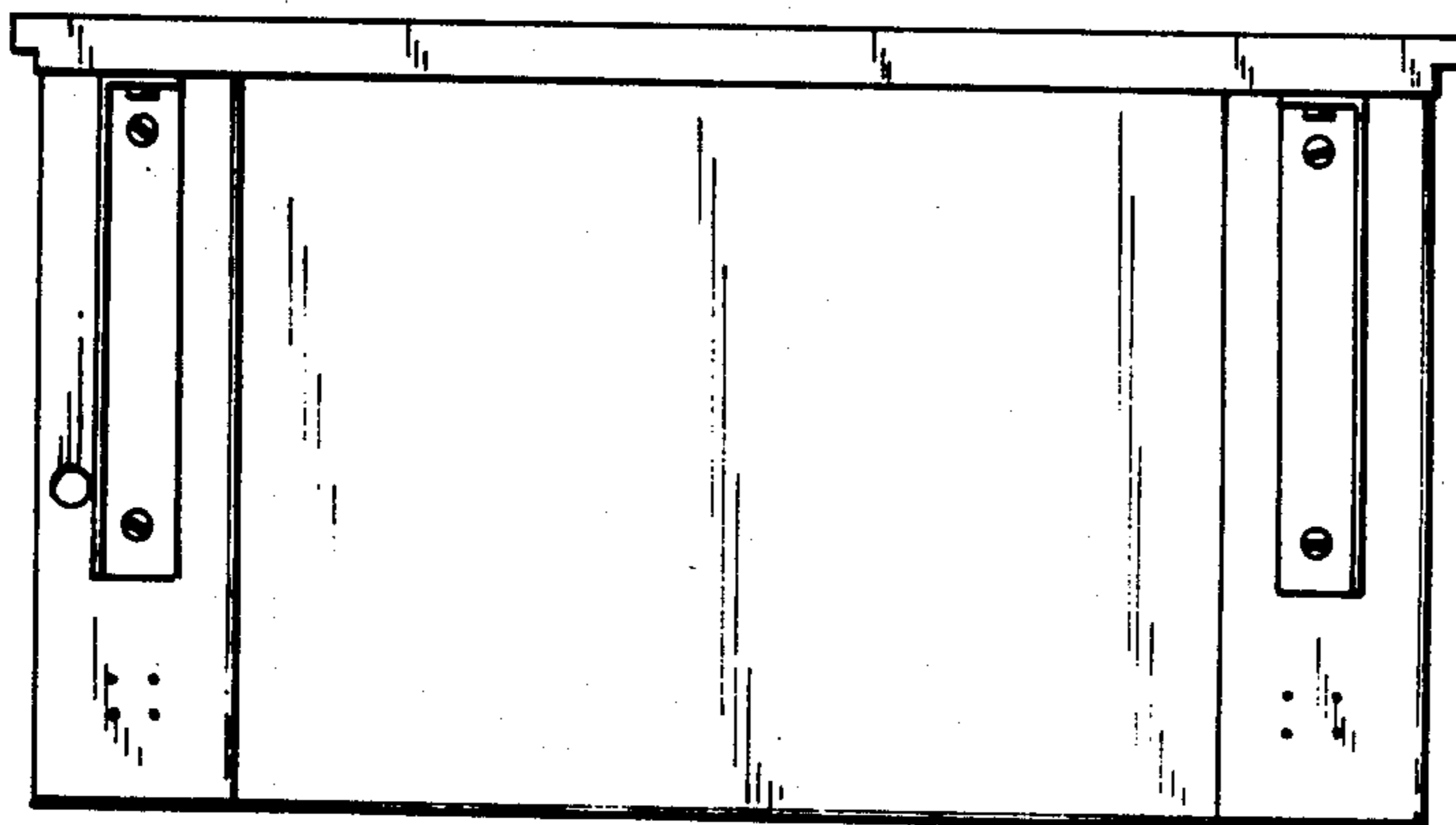
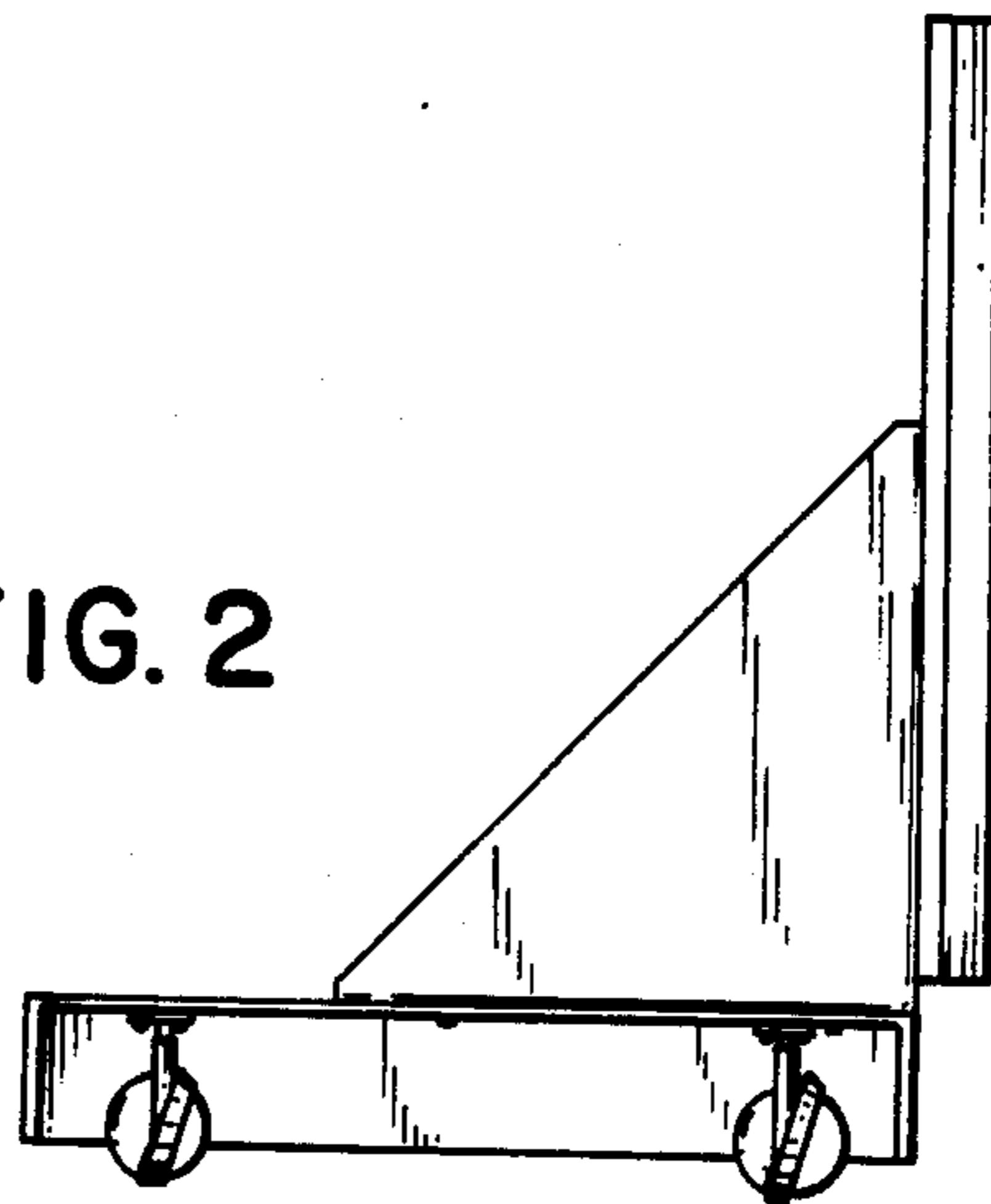


FIG. 3

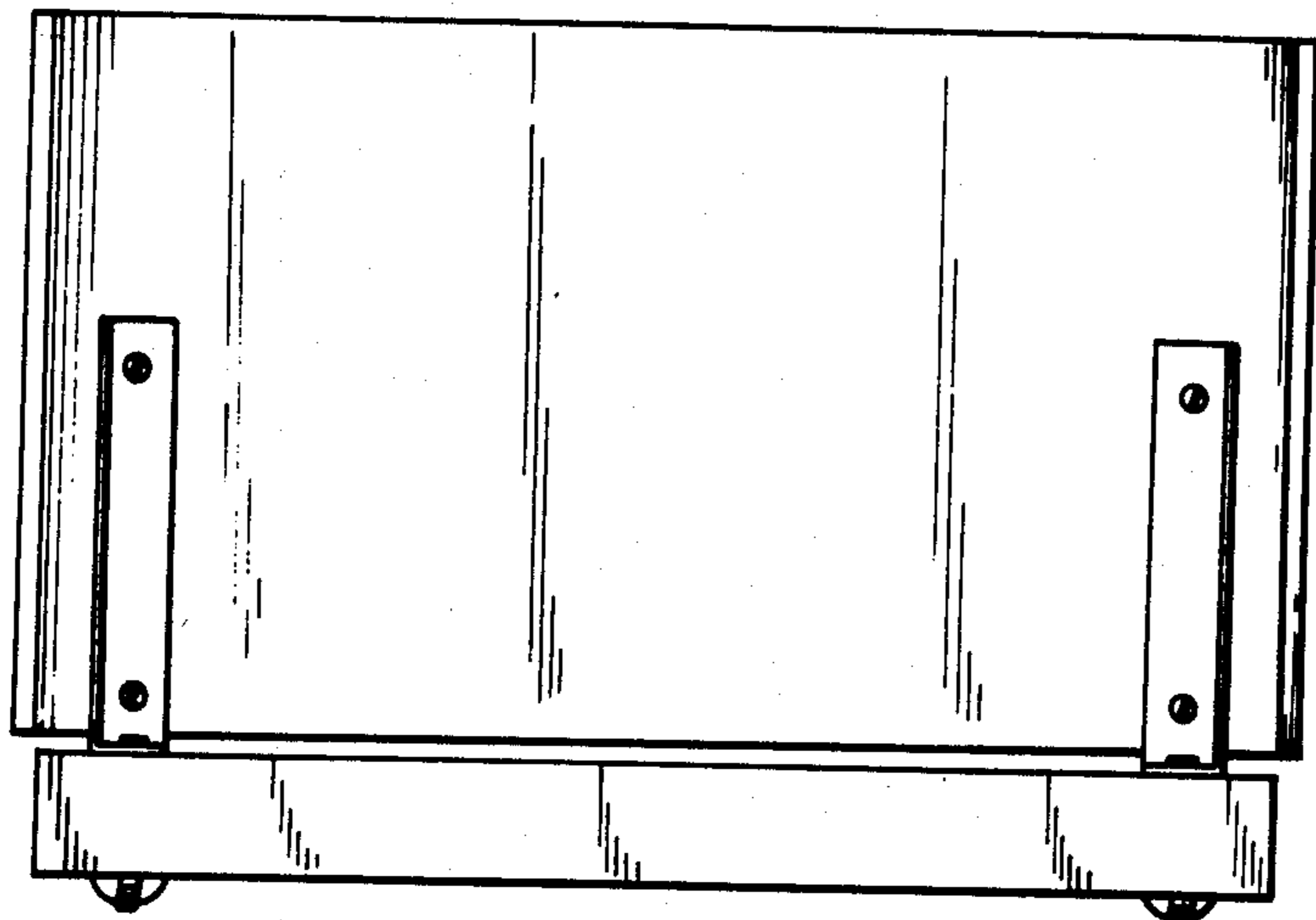


FIG. 4

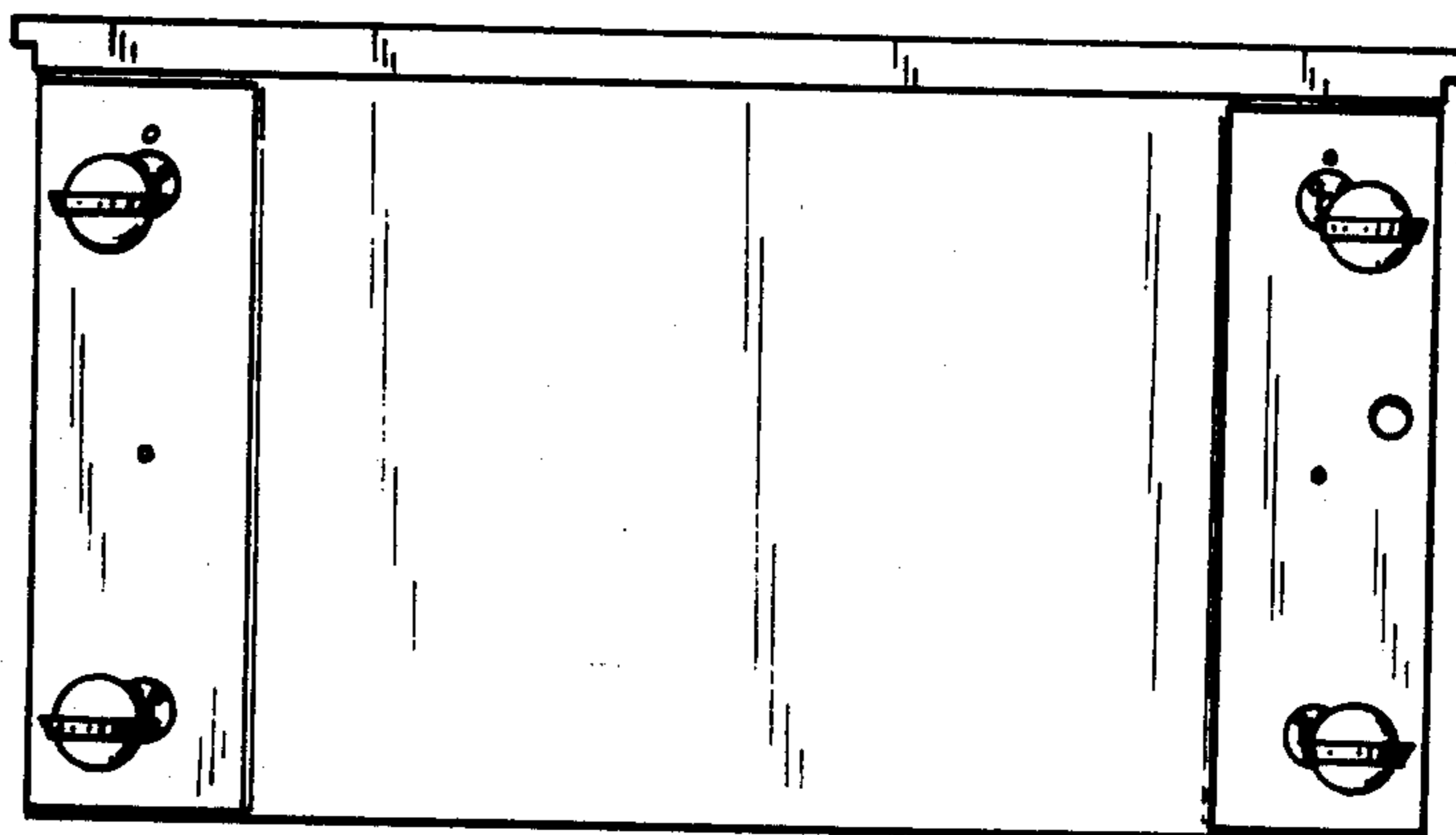


FIG. 5

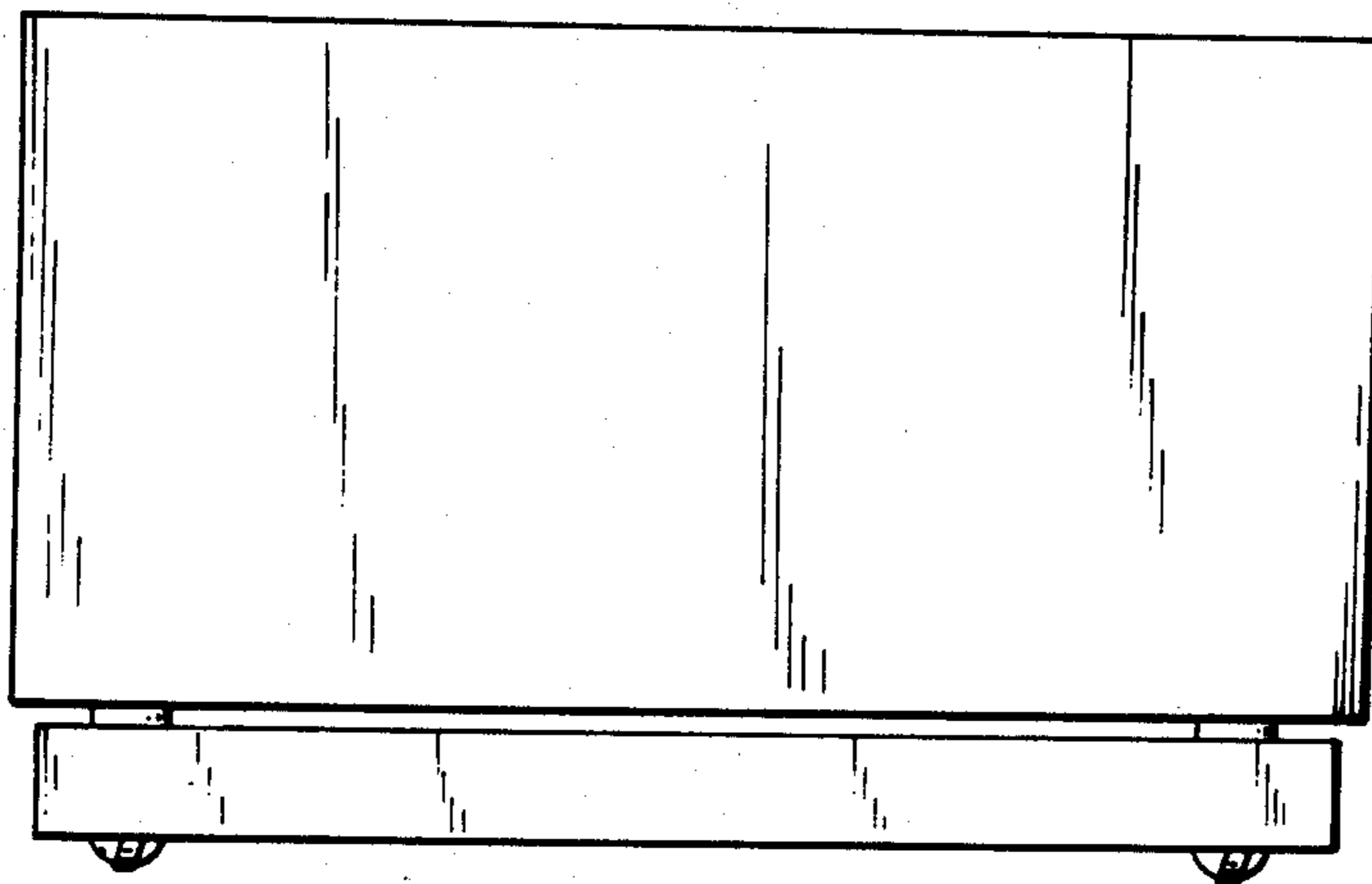


FIG. 6