

[54] WINDOW LOCK MOUNTING BRACKET

2,710,159 6/1955 Gordon ..... 248/300

[76] Inventors: Charles J. Ozvath, 5391 Hillgrove, Dayton, Ohio 45415; Burlon P. Campbell, 60 Cherry Hill Dr., Dayton, Ohio 45440

FOREIGN PATENT DOCUMENTS

1352955 1/1964 France ..... 248/214

[\*\*] Term: 14 Years

Primary Examiner—James M. Gandy  
Attorney, Agent, or Firm—William R. Jacox

[21] Appl. No.: 853,644

[57] CLAIM

[22] Filed: Nov. 21, 1977

The ornamental design for a window lock mounting bracket, substantially as shown and described.

[51] Int. Cl. .... D8-07

DESCRIPTION

[52] U.S. Cl. .... D8/343; D8/349

FIG. 1 is a perspective view of a window lock mounting bracket showing our new design;

[58] Field of Search ..... D8/339, 343, 341, 349, D8/371, 400; 292/137, 150, 207, 57; 70/89, 90; 49/391, 394; 296/84 R, 84 C; 248/214, 300

FIG. 2 is a side elevational view thereof;

FIG. 3 is a top plan view thereof, the bottom being substantially a mirror image of the top shown herein;

FIG. 4 is an end elevational view thereof;

FIG. 5 is an end elevational view thereof opposite to that shown in FIG. 4; and

FIG. 6 is a side elevational view thereof opposite to that shown in FIG. 2.

[56] References Cited

U.S. PATENT DOCUMENTS

D. 35,517 12/1901 McMillan ..... D8/349  
2,080,432 5/1937 Morrison ..... 296/84 R

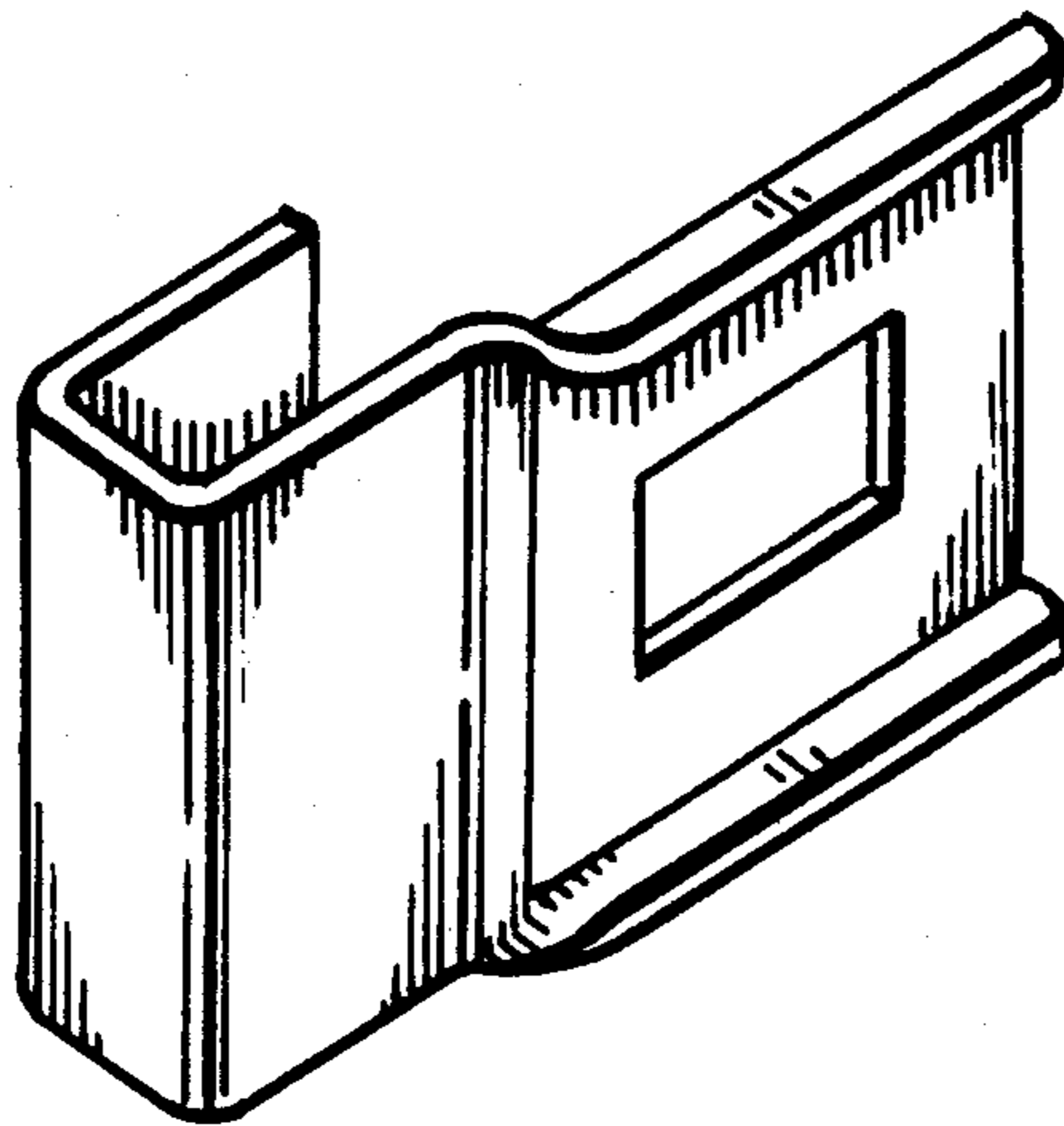


FIG-1

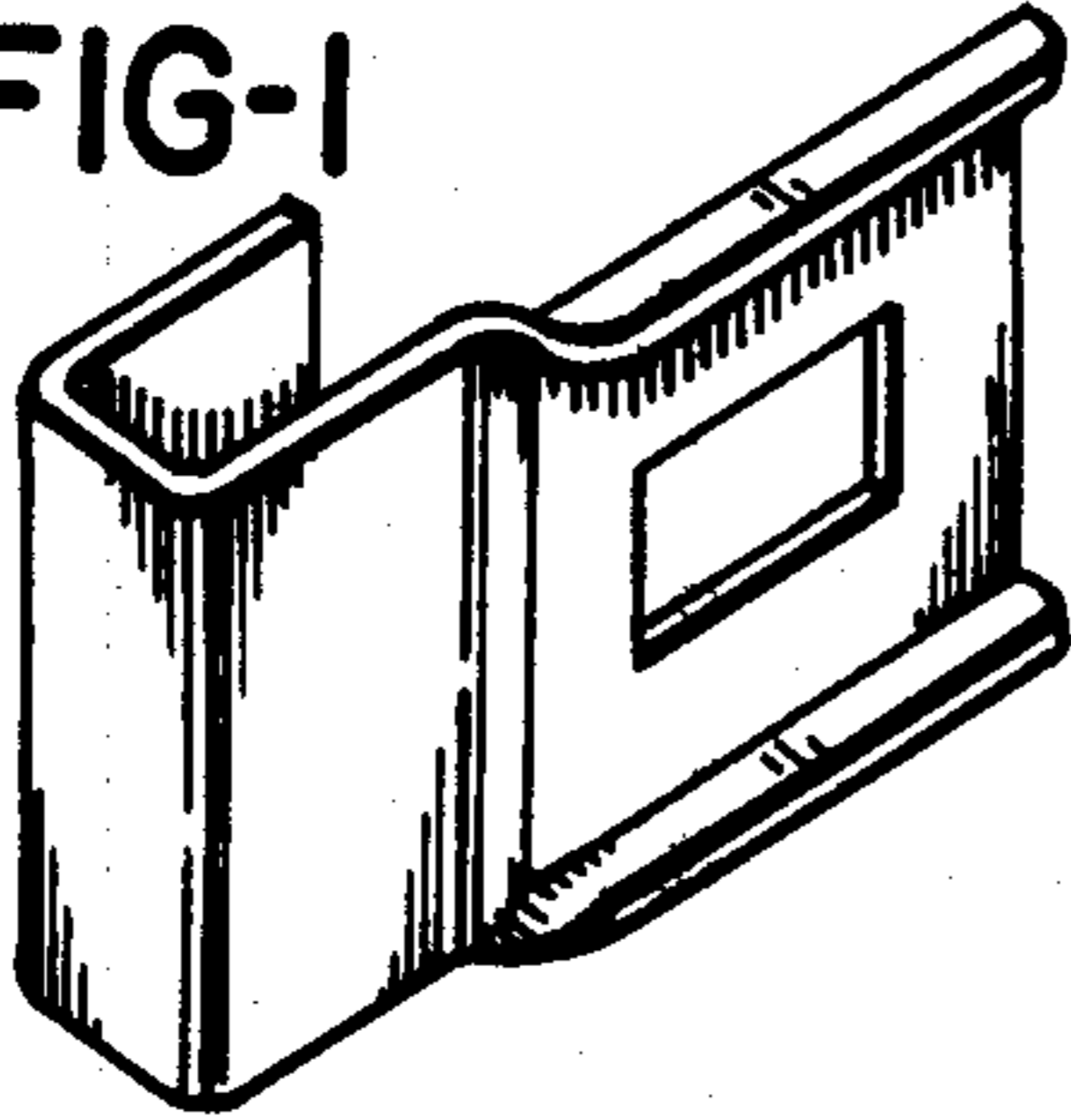


FIG-2

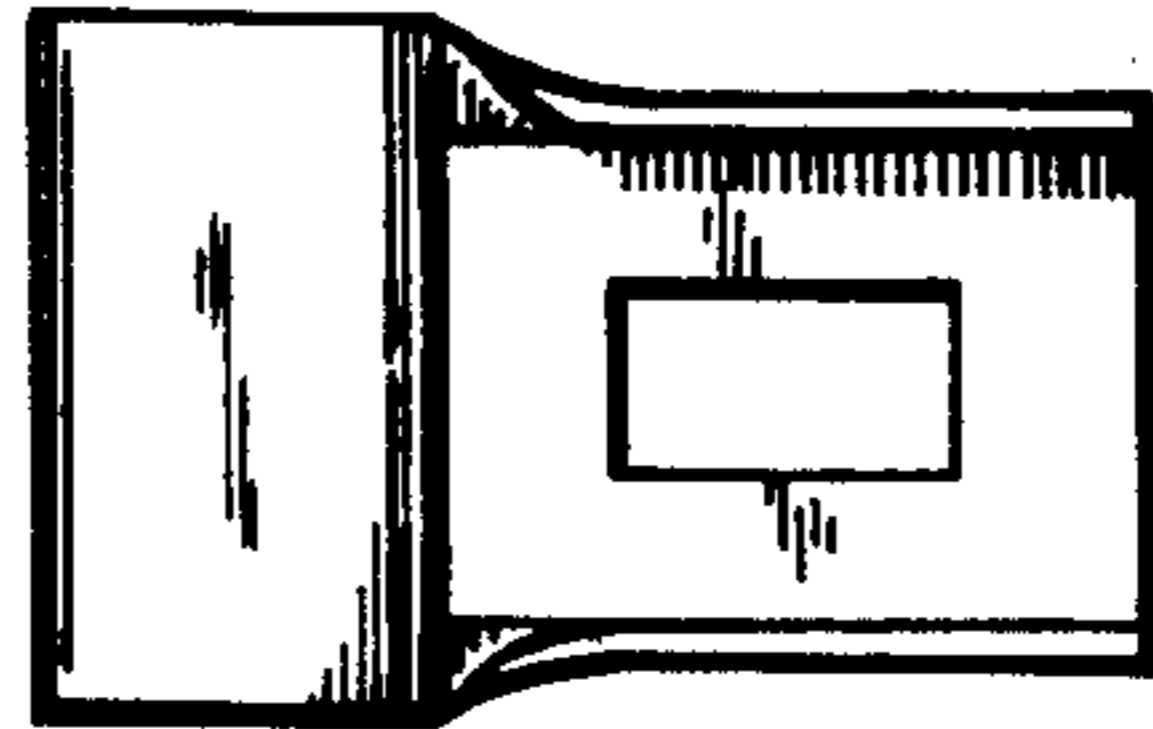


FIG-3

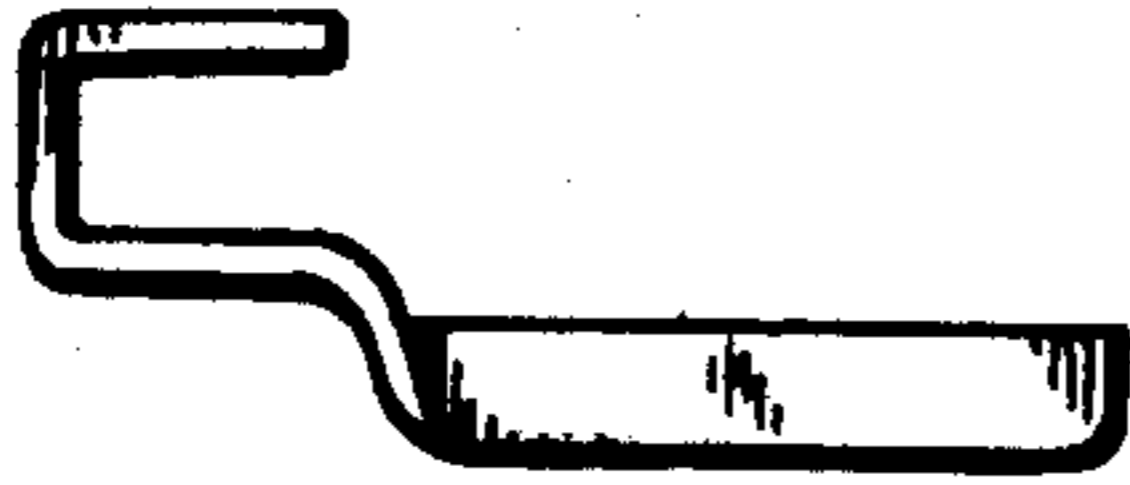


FIG-4

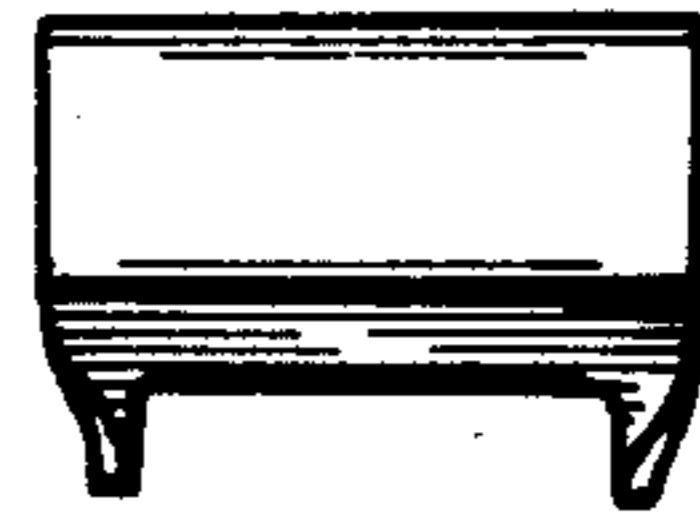


FIG-5

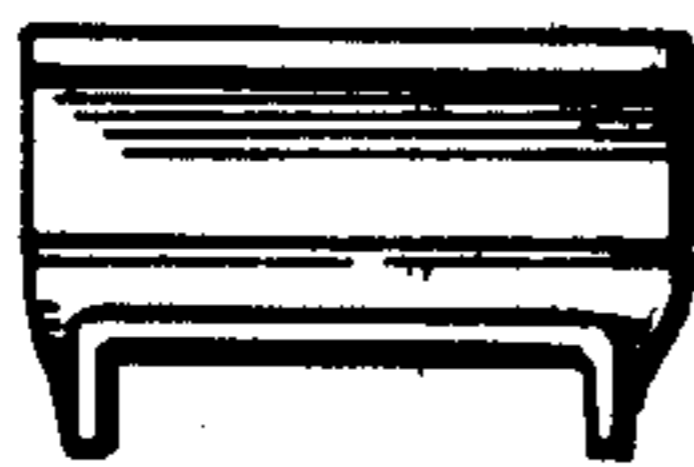


FIG-6

