

[54] **SHELVING FOR WINDOWS**

[76] Inventor: **William M. Boyajian**, 269 Huron Ave., Cambridge, Mass. 02138

[\*\*] Term: **14 Years**

[21] Appl. No.: **809,283**

[22] Filed: **Jun. 23, 1977**

[51] Int. Cl. .... **D6-04**

[52] U.S. Cl. .... **D6/135; D6/137**

[58] Field of Search ..... **D6/114, 116-119, D6/123-125, 128, 130-132, 134-136, 137; 108/152; 47/40; 211/87, 88, 90, 95, 96, 35**

170,115 11/1875 Roberts ..... 211/90  
 179,071 8/1876 Shirley ..... 211/90  
 1,491,678 4/1924 Dabney ..... 211/35  
 4,052,816 10/1977 Perez ..... 47/40

*Primary Examiner*—Wallace R. Burke  
*Assistant Examiner*—B. J. Bullock  
*Attorney, Agent, or Firm*—Edmund R. Pitcher

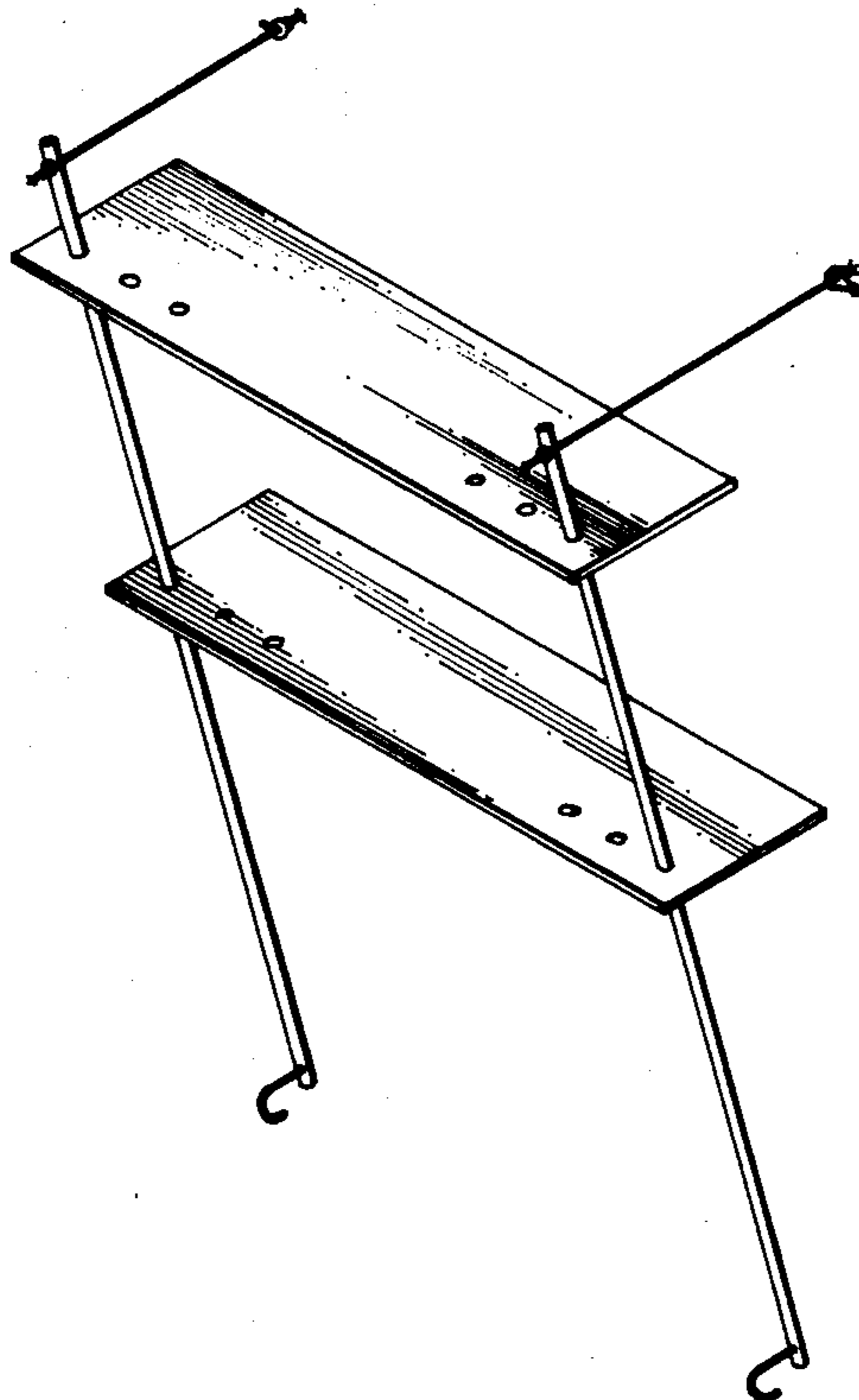
[57] **CLAIM**

The ornamental design for shelving for windows, as shown and described.

**DESCRIPTION**

FIG. 1 is an isometric view of shelving for windows showing my new design; and  
 FIG. 2 is a reduced side elevational view thereof, with the plant containers, window, and portion of the wall shown in broken lines for illustrative purposes only.

[56] **References Cited**  
**U.S. PATENT DOCUMENTS**  
 D. 157,000 1/1950 Rehns ..... D6/134



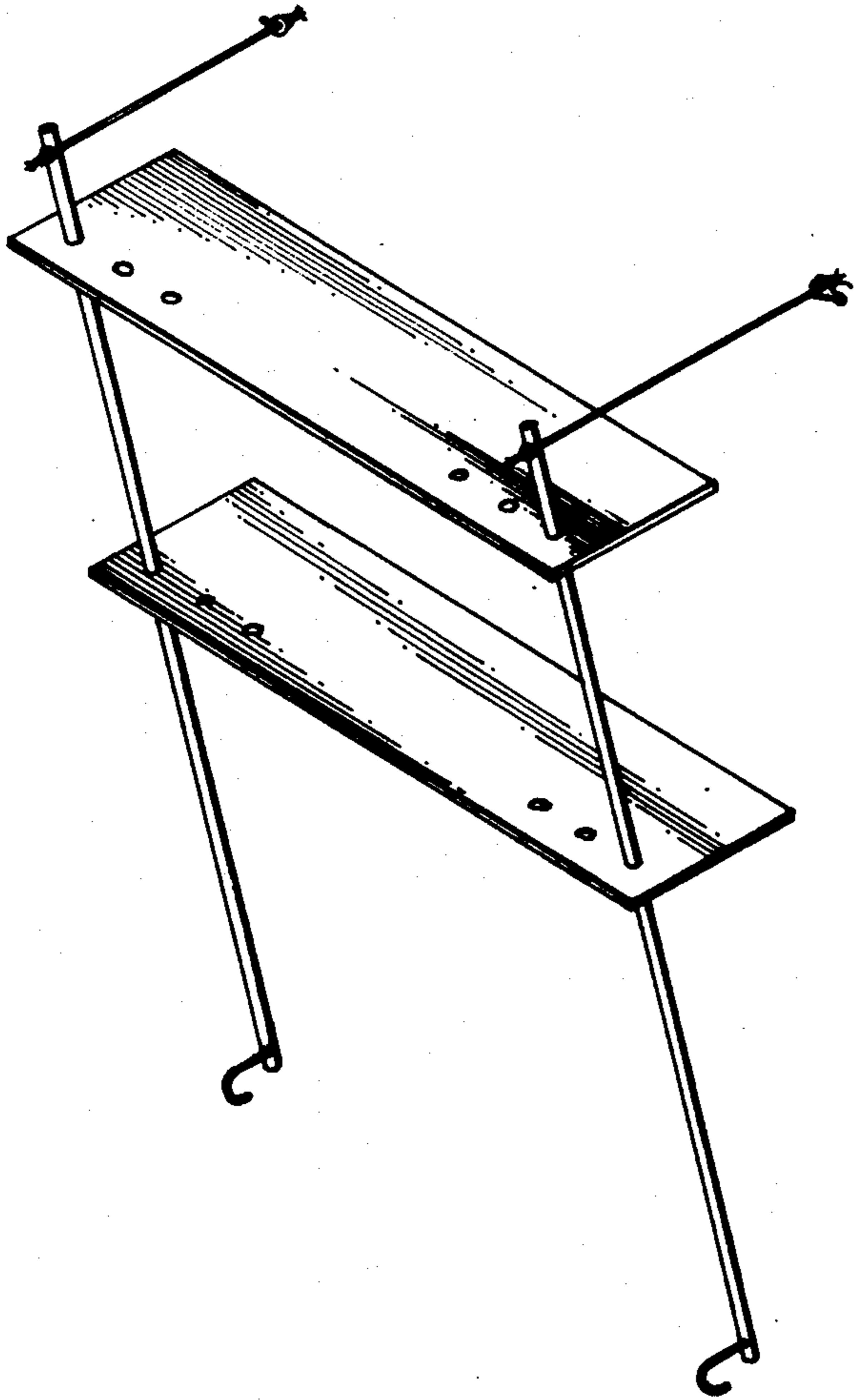


FIG. 1.

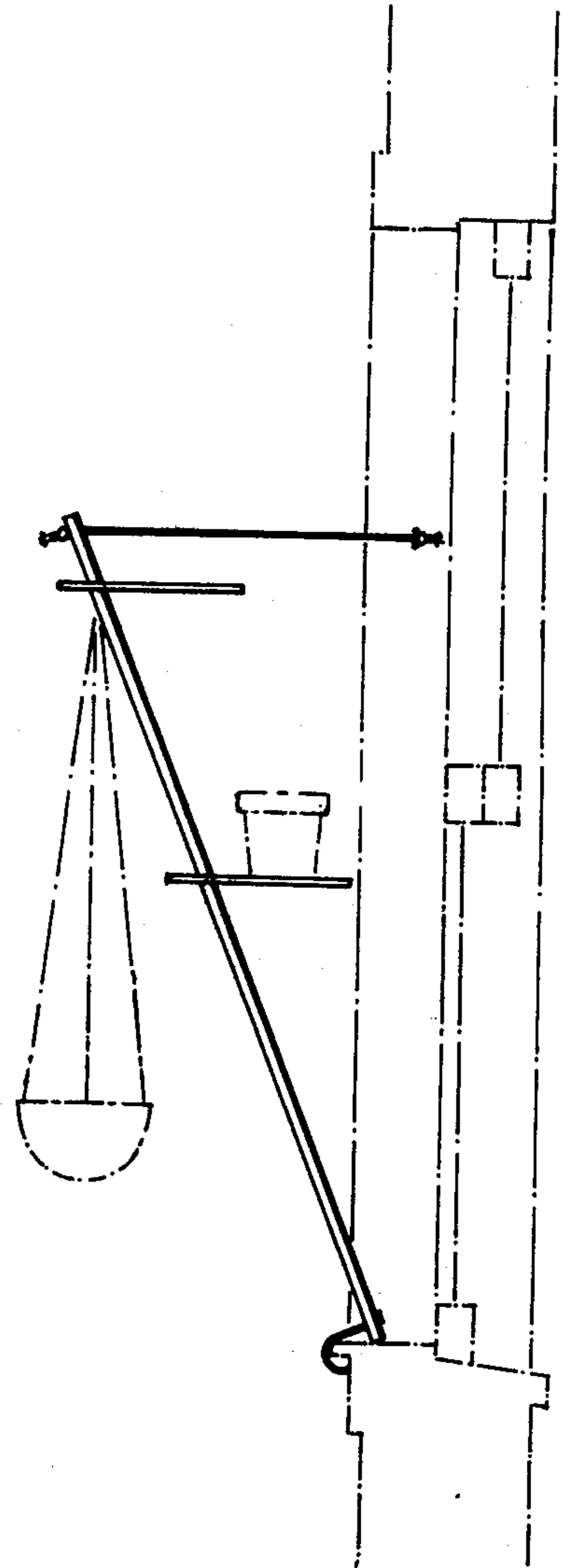


FIG. 2.