

[54] **BEDSTEAD**

[76] **Inventor:** **Sidney Gibson**, 229 Deloraine Ave.,
Toronto, Ontario, Canada, M5M
2B2

[**] **Term:** **14 Years**

[21] **Appl. No.:** **772,290**

[22] **Filed:** **Feb. 25, 1977**

[51] **Int. Cl.** **D6-01**

[52] **U.S. Cl.** **D6/79; D6/53;**
D6/56

[58] **Field of Search** **D6/5, 14, 56, 79, 85,**
D6/53; 5/110, 337; 297/457

[56] **References Cited**

U.S. PATENT DOCUMENTS

D. 235,288 6/1975 Sullivan D6/56 X
2,229,411 1/1941 Hughes D6/14

FOREIGN PATENT DOCUMENTS

947997 7/1949 France 5/110

OTHER PUBLICATIONS

Simmons Co., New London, Wisc., "Little Folks Furni-
ture" Cat. #82 For '73, p. 12, Item #2309.
Interiors, 9-73, p. 123, lower left corner item, "Ste.-
Marie & Laurent Inc." Chair Frame.

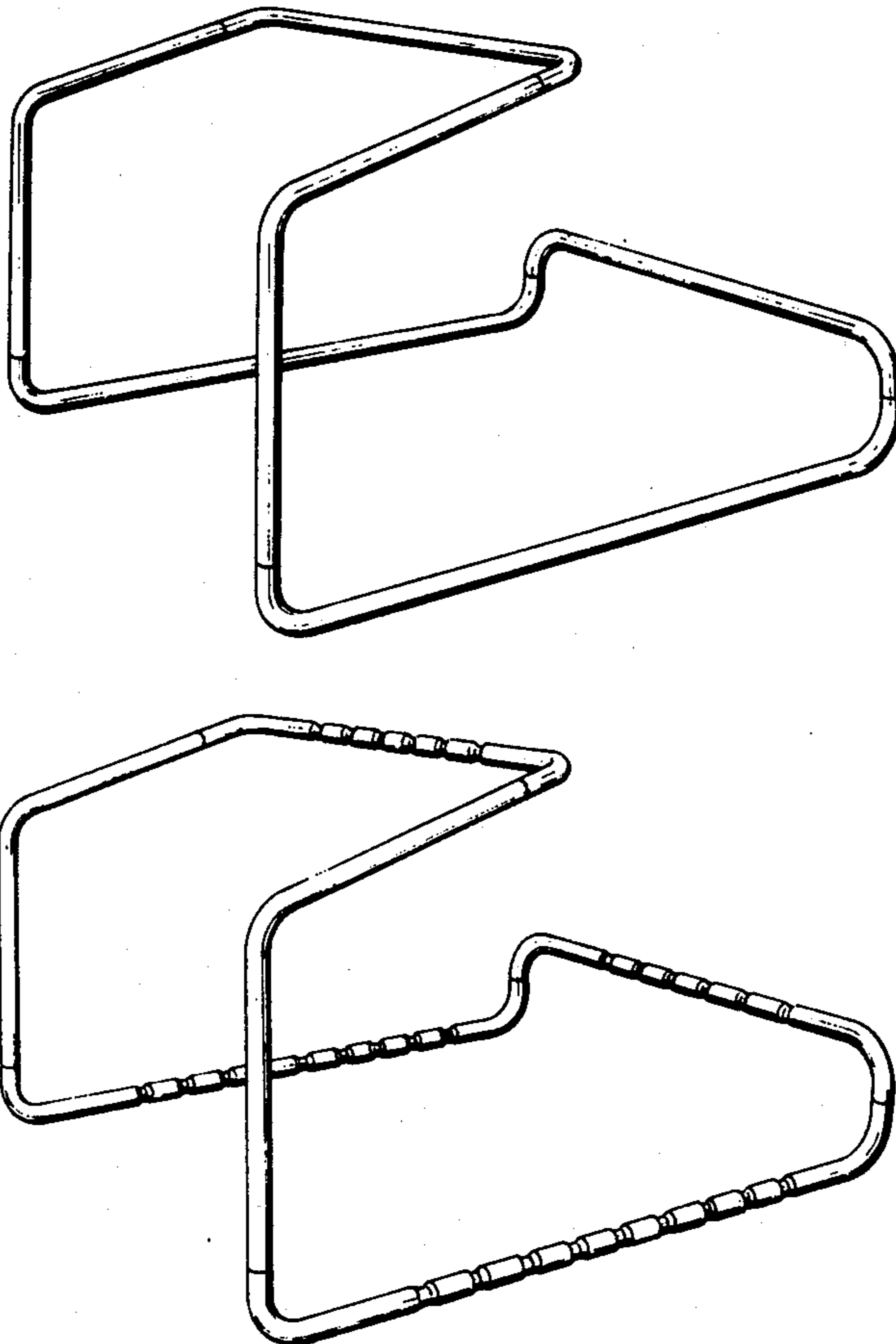
Primary Examiner—Joel Stearman
Assistant Examiner—J. Corrigan
Attorney, Agent, or Firm—Lewis E. Hanley

[57] **CLAIM**

The ornamental design for a bedstead, as shown and
described.

DESCRIPTION

FIG. 1 is a rear, top and left side perspective view of a
bedstead showing my new design;
FIG. 2 is a left side elevational view;
FIG. 3 is a front elevational view;
FIG. 4 is a view similar to FIG. 1 of a modified form of
a bedstead showing my new design;
FIG. 5 is a view similar to FIG. 2 thereof; and
FIG. 6 is a view similar to FIG. 3 thereof.



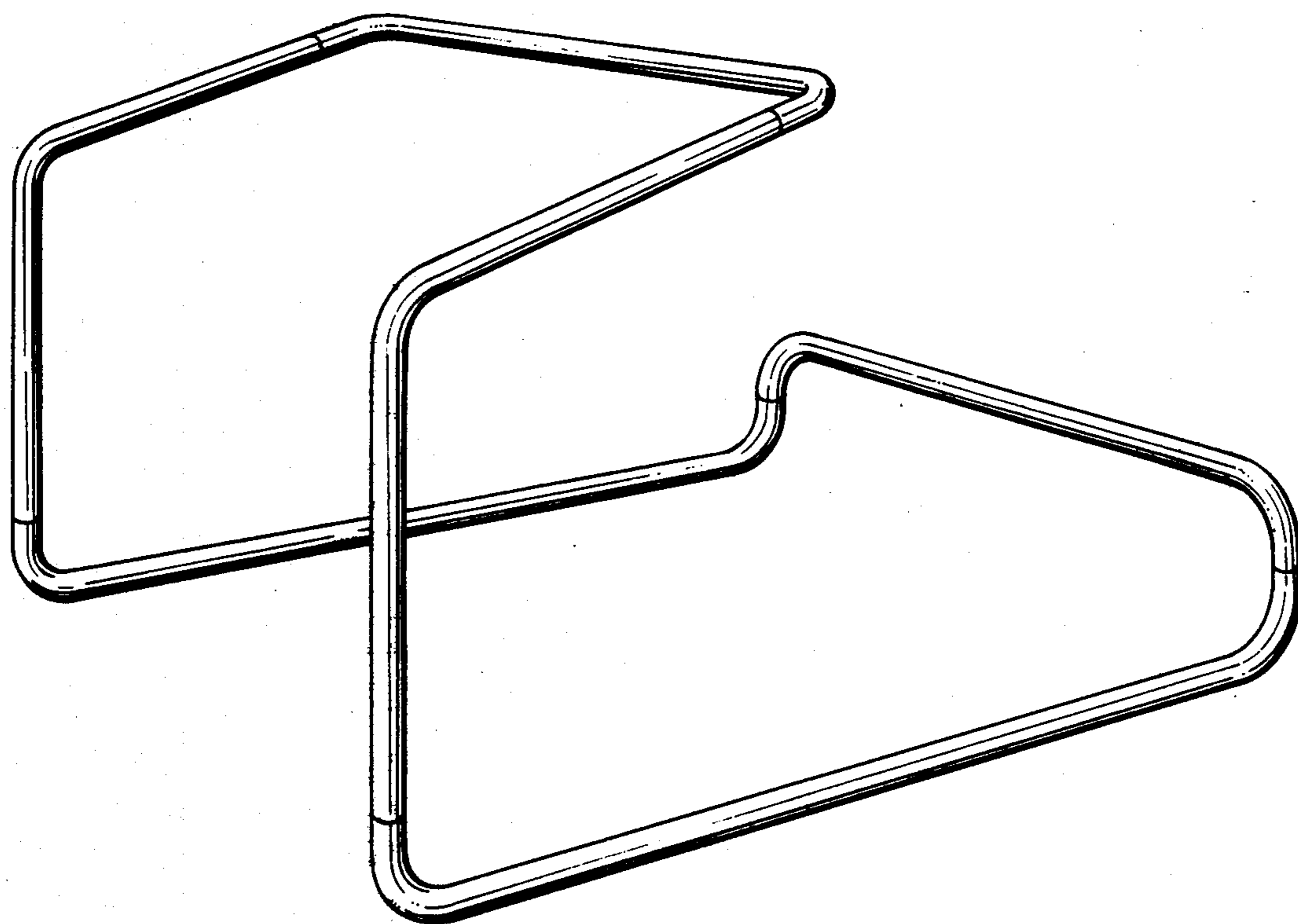


FIG. 1

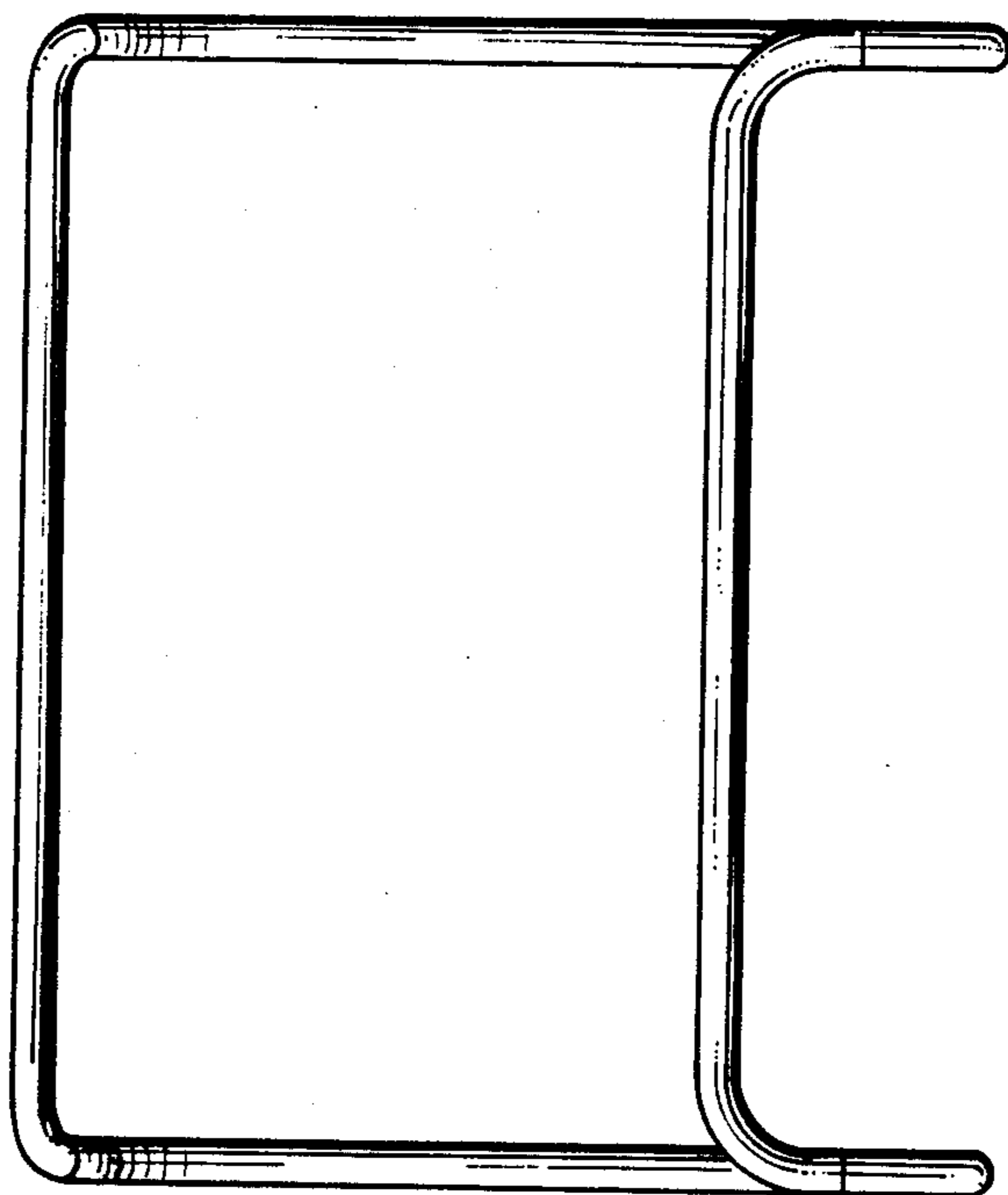


FIG. 3

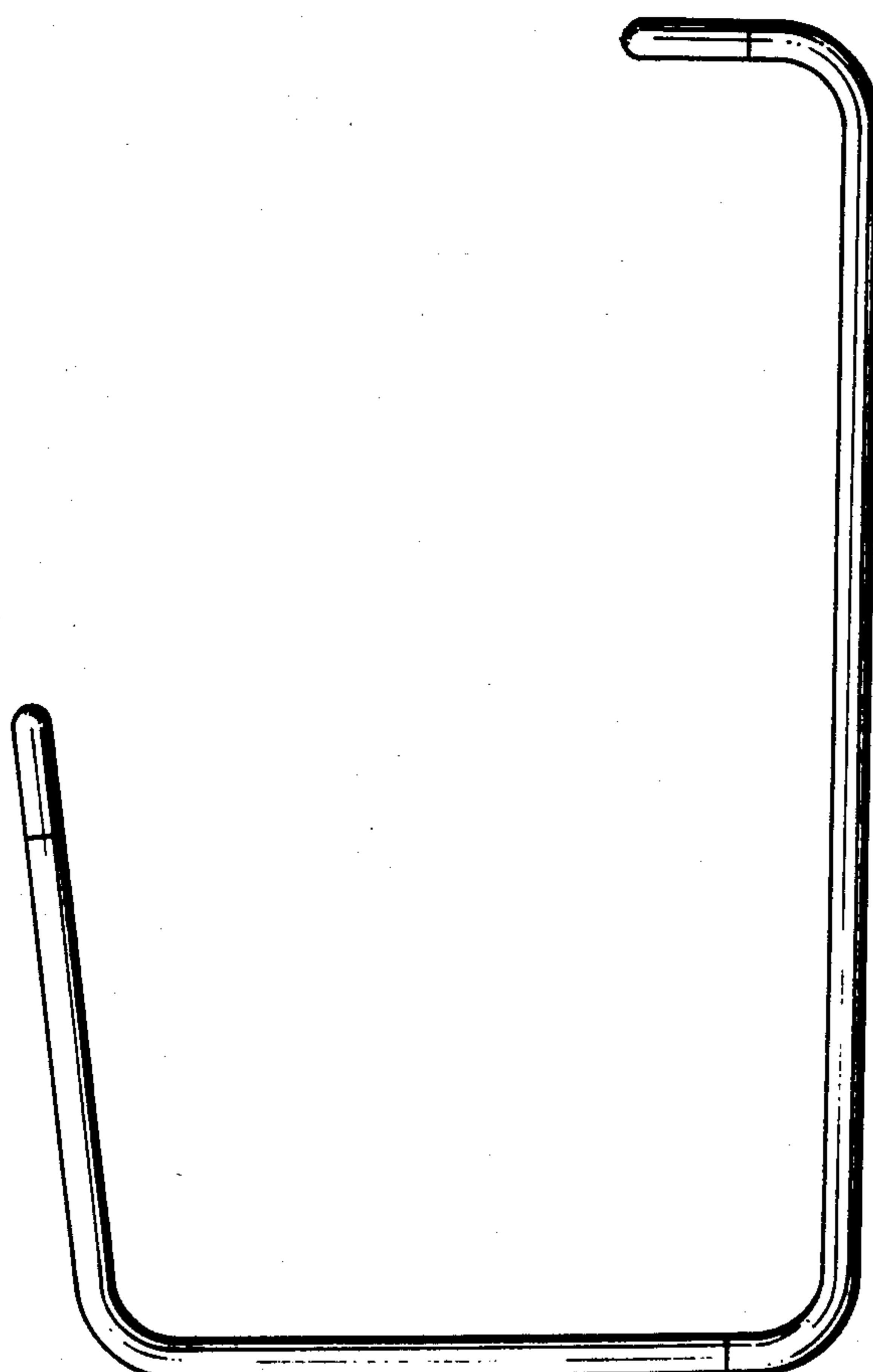


FIG. 2

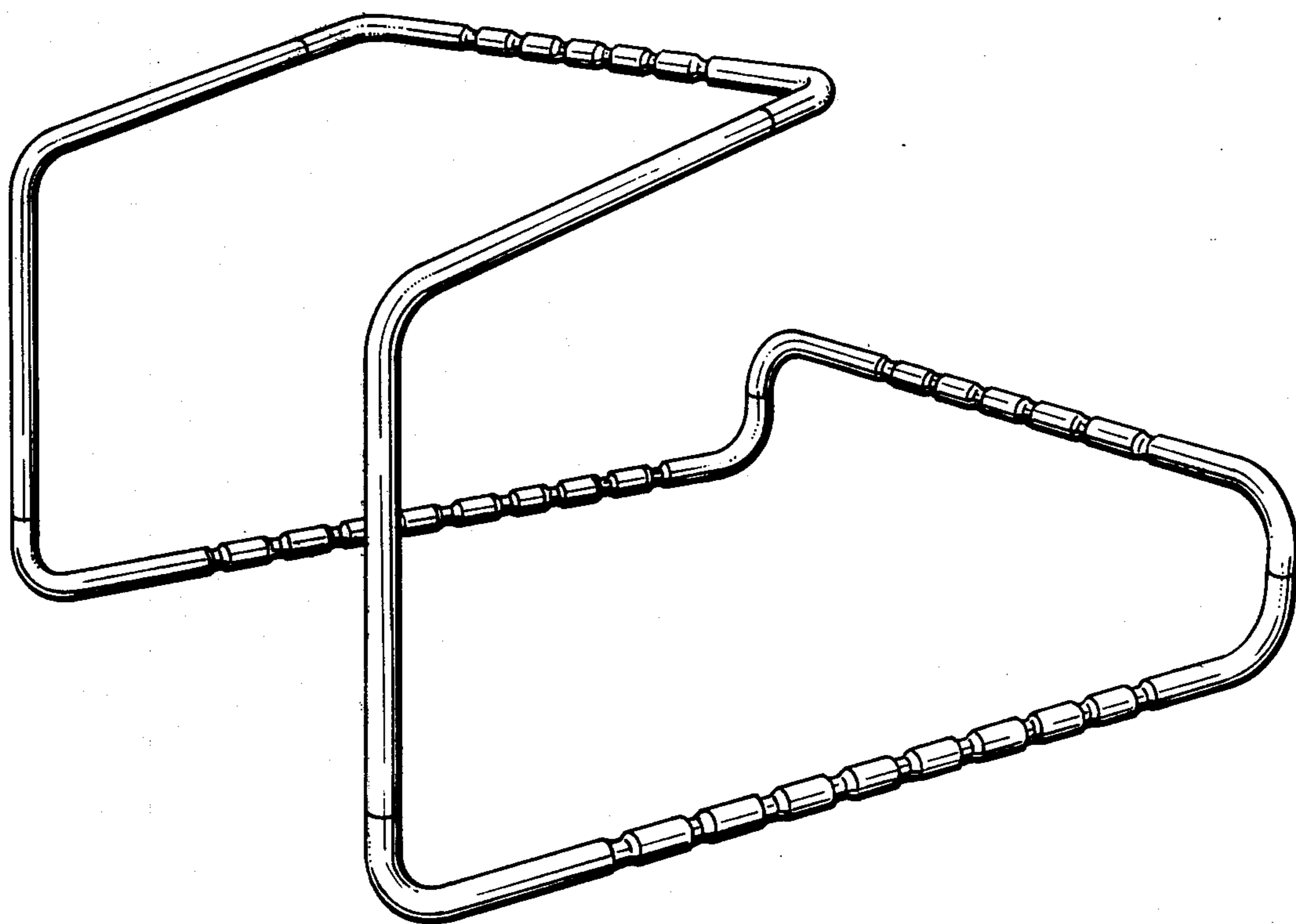


FIG. 4

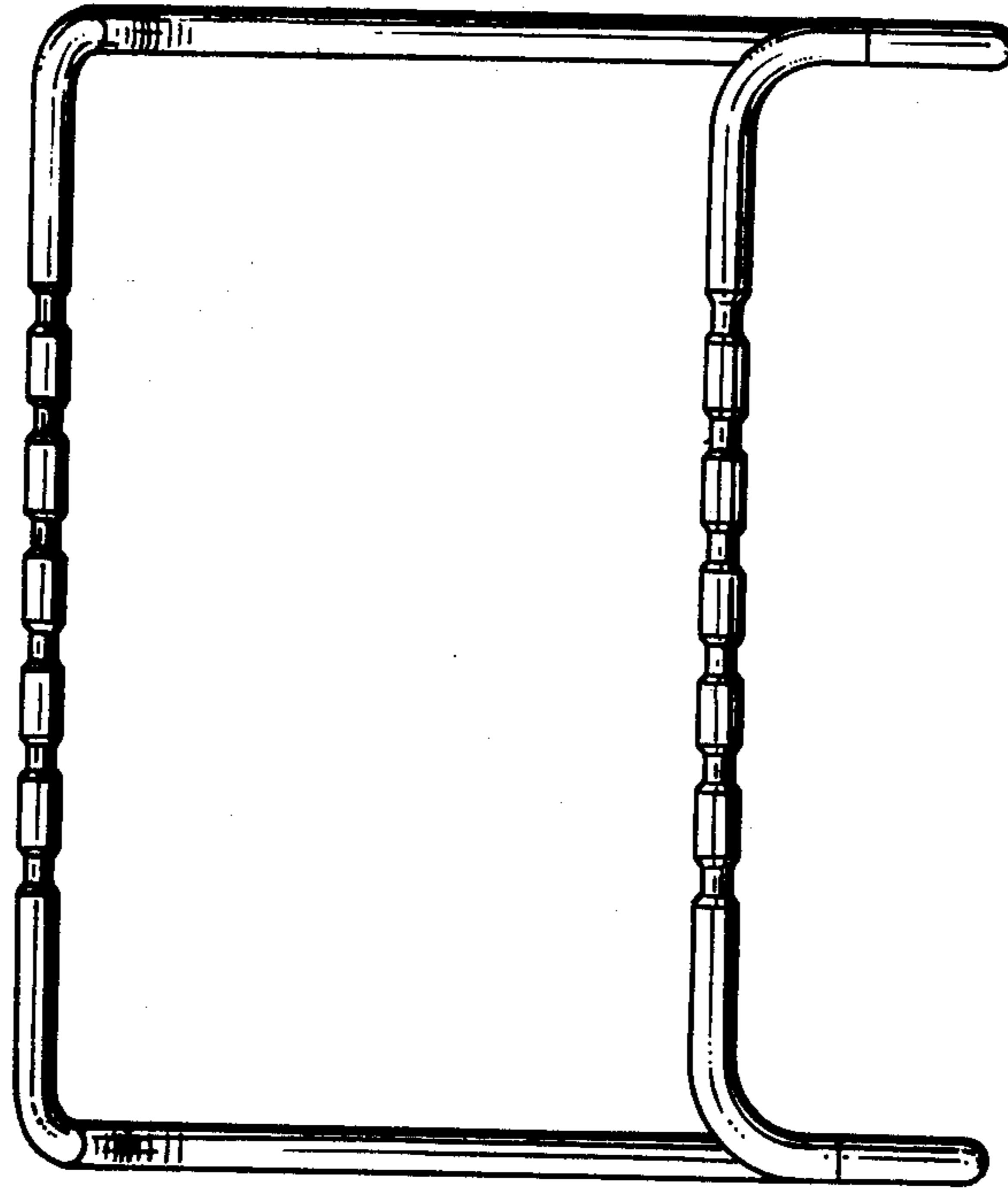


FIG. 6

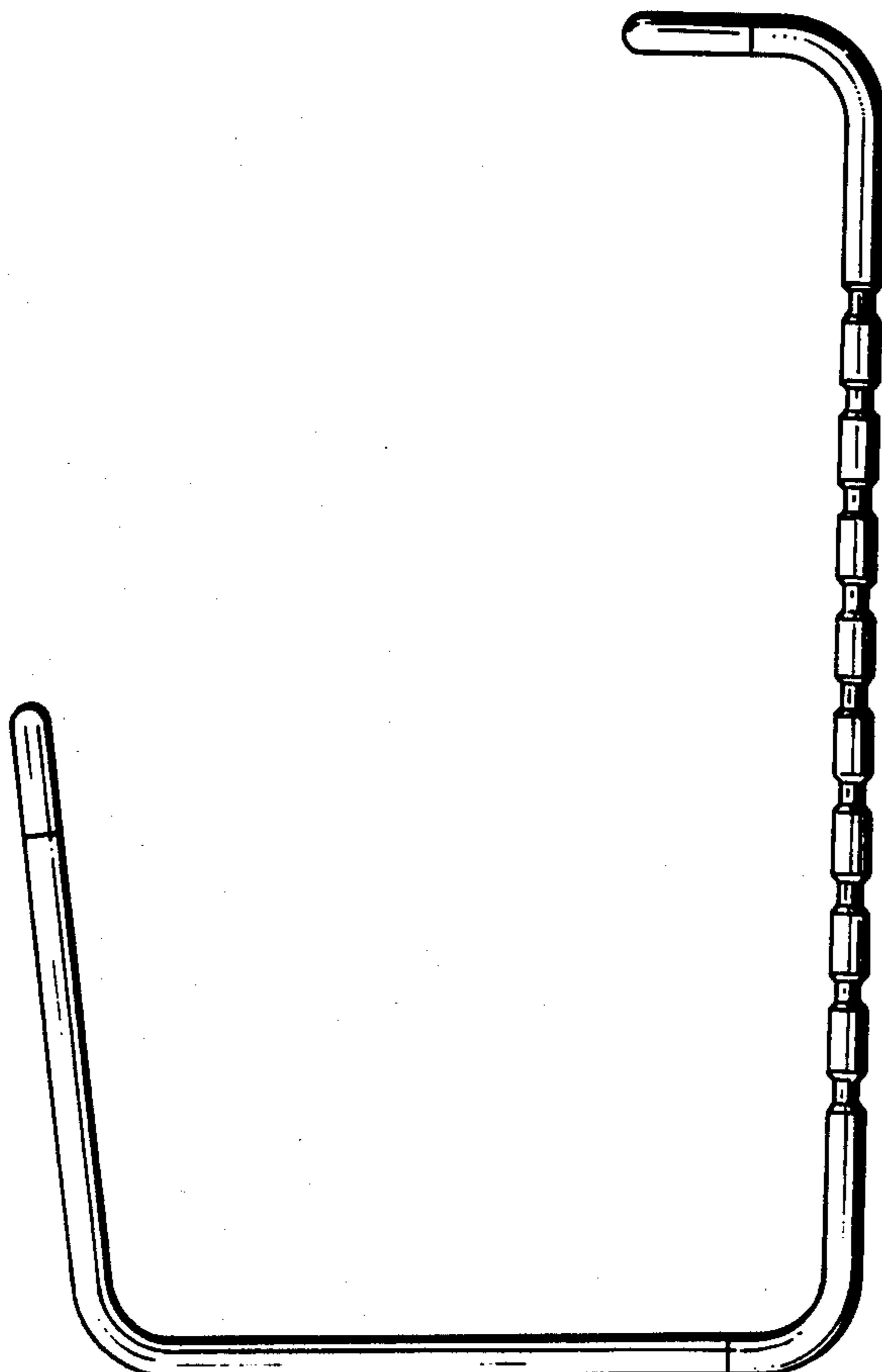


FIG. 5