

[54] NAIL CARE ORGANIZER TRAY OR SIMILAR ARTICLE

[76] Inventor: Lorraine K. Freeman, 70 E. Walton, Chicago, Ill. 60611

[**] Term: 14 Years

[21] Appl. No.: 801,158

[22] Filed: May 27, 1977

[51] Int. Cl. D28-03

[52] U.S. Cl. D28/61; D19/78

[58] Field of Search D7/38; D27/8, 29; D9/242; D28/61, 73, 76, 77, 83; 132/1 R, 79 R; 206/557, 562; D87/1 R; D19/77, 78, 83; 132/73, 75, 76.2

[56] References Cited

U.S. PATENT DOCUMENTS

D. 97,549 11/1935 Ganz D28/83
D, 120,276 4/1940 Sherman D27/8

D. 246,847 1/1978 Landau et al. D19/78 X
2,843,136 7/1958 Limburg 132/1 R

FOREIGN PATENT DOCUMENTS

287622 3/1928 United Kingdom 132/73

Primary Examiner—Louis S. Zarfes
Attorney, Agent, or Firm—Benjamin H. Sherman

[57] CLAIM

The ornamental design for a nail care organizer tray or similar article, substantially as shown and described.

DESCRIPTION

FIG. 1 is an elevated perspective view of a nail care organizer tray or similar article showing my new design;

FIG. 2 is a left side elevational view thereof;

FIG. 3 is an elevated perspective view thereof from the side opposite that in FIG. 1;

FIG. 4 is a top plan view thereof; and,

FIG. 5 is a bottom plan view thereof.

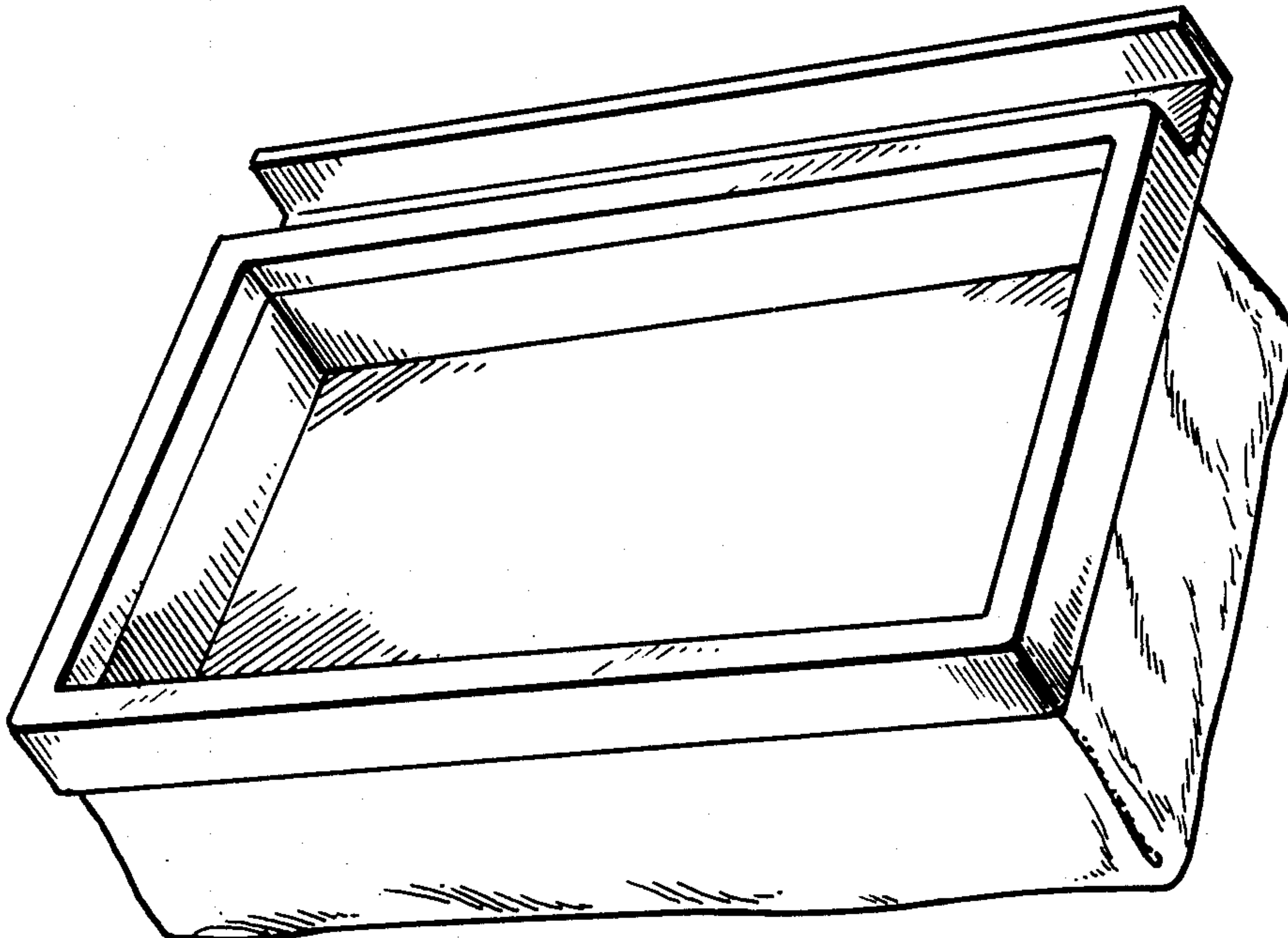


Fig. 1

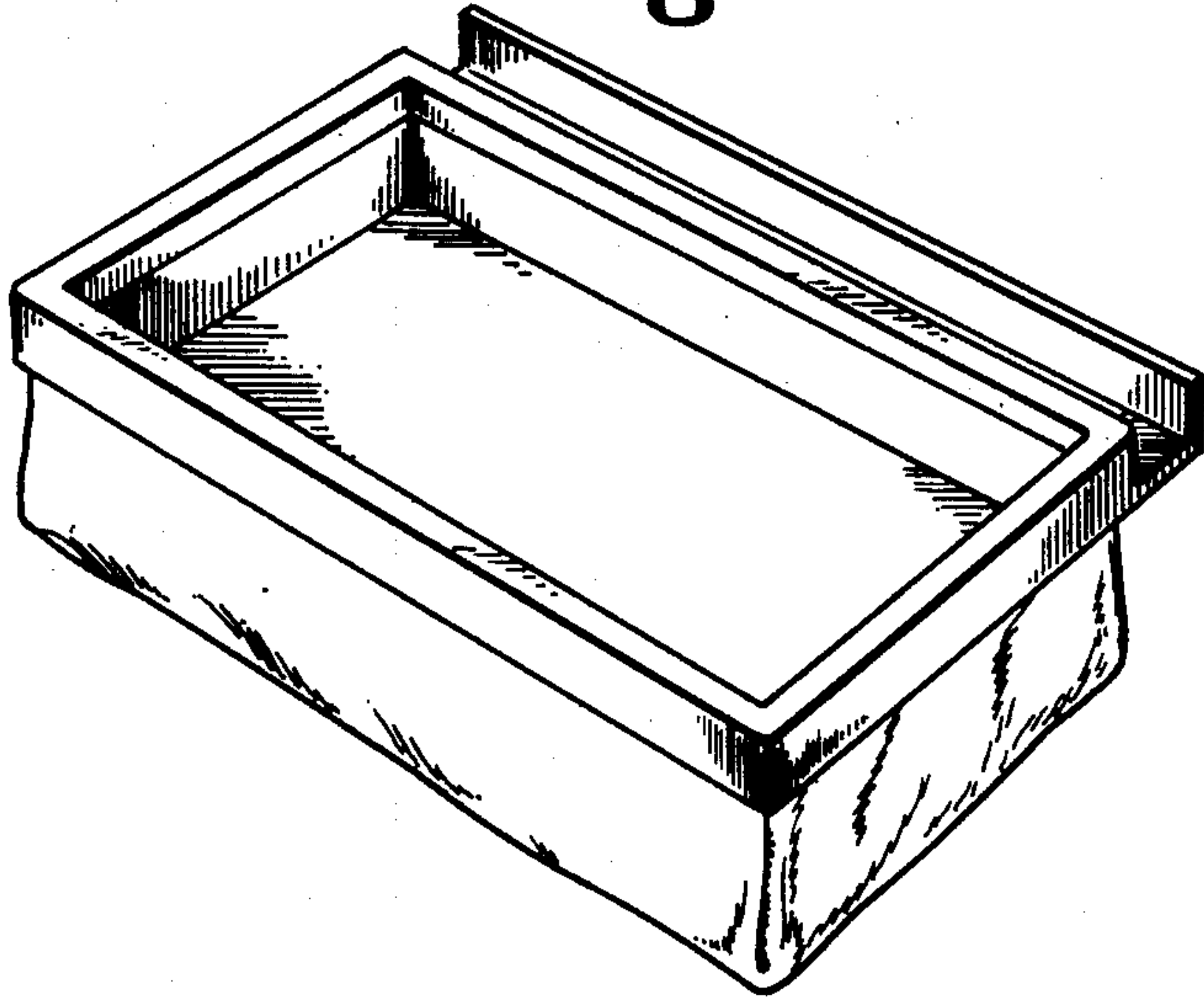


Fig. 2



Fig. 3

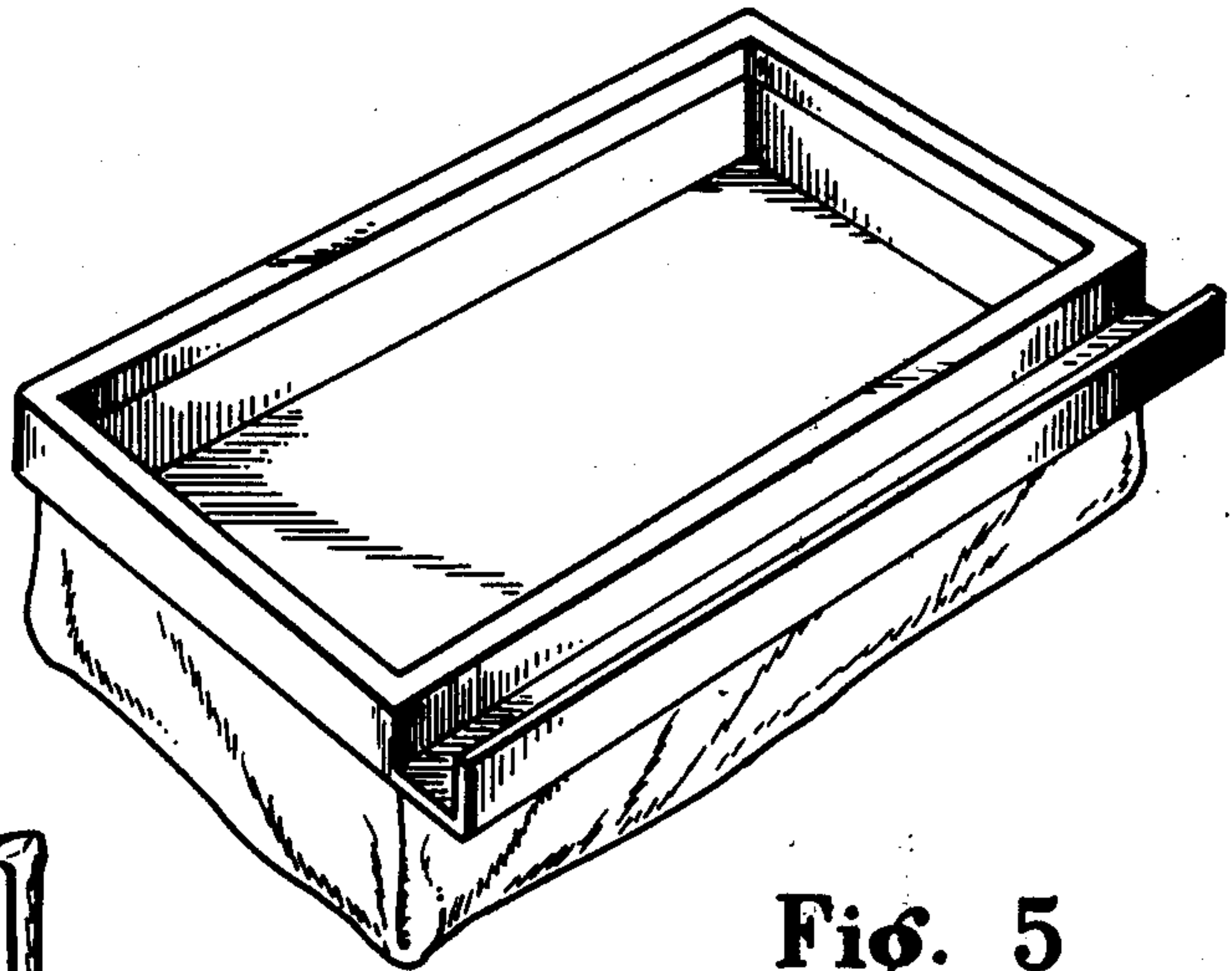


Fig. 4

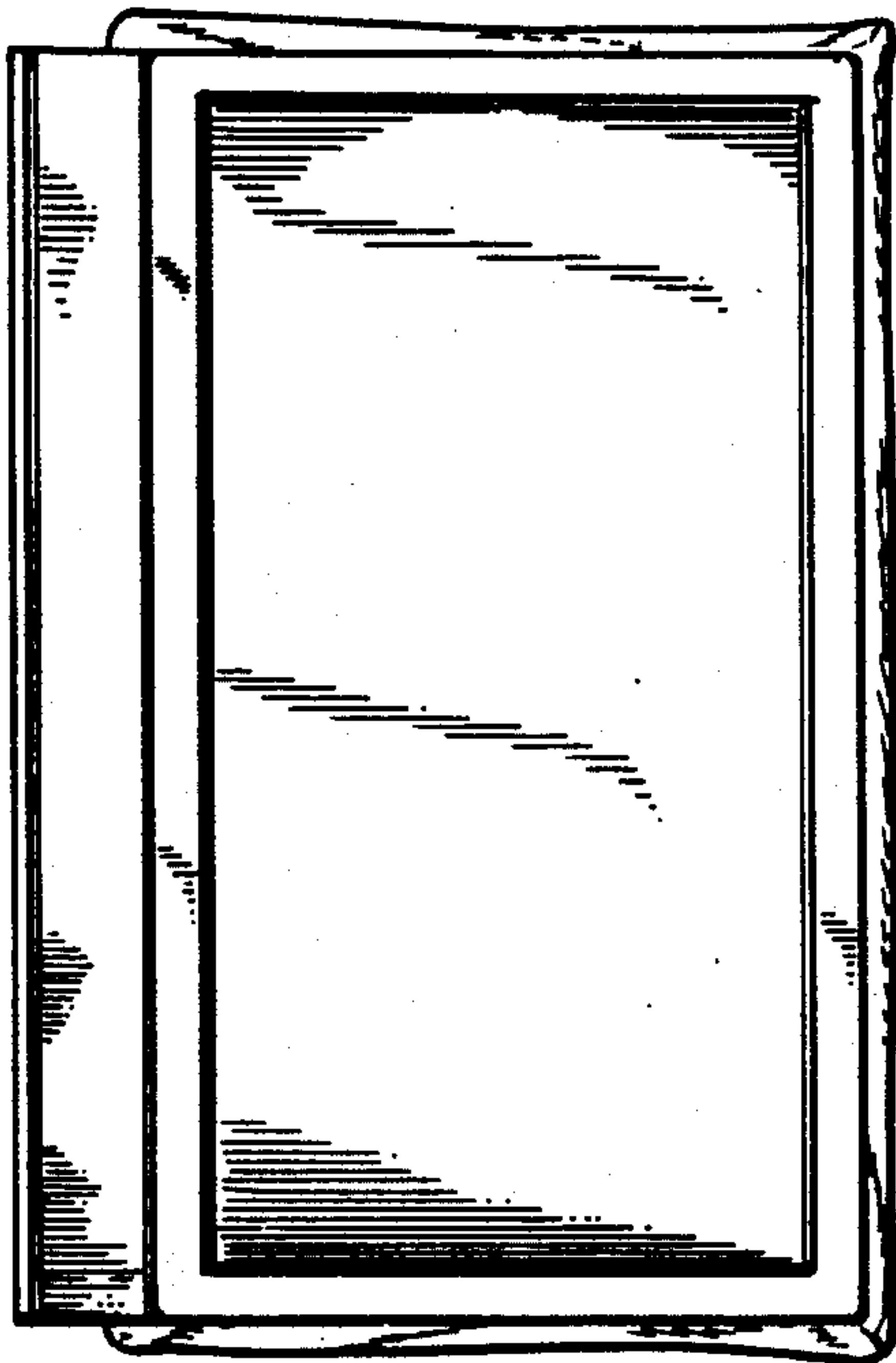


Fig. 5

