

[54] TRIM STRIP ADAPTED TO BE SECURED TO AN AUTOMOBILE BUMPER OR BODY

[75] Inventor: Brian A. Wenrick, Dayton, Ohio

[73] Assignee: Protective Treatments, Inc., Dayton, Ohio

[**] Term: 14 Years

[21] Appl. No.: 862,292

[22] Filed: Dec. 19, 1977

[51] Int. Cl. D25-01

[52] U.S. Cl. D25/75; D12/190

[58] Field of Search D12/155, 167, 169, 172, D12/190; D25/73-79

[56] References Cited

U.S. PATENT DOCUMENTS

D. 117,685 11/1939 Bonnell D25/76

OTHER PUBLICATIONS

Form 80, IV/1977, p. 47, Molding Illustration.

Primary Examiner—A. Hugo Word

Attorney, Agent, or Firm—Max Dressler

[57] CLAIM

The ornamental design for a trim strip adapted to be secured to an automobile bumper or body, substantially as shown.

DESCRIPTION

FIG. 1 is an end view of the trim strip adapted to be secured to an automobile bumper or body.

FIG. 2 is a front elevation of my design.

FIG. 3 is a perspective view of my design.

FIG. 4 is a rear elevation of my design.

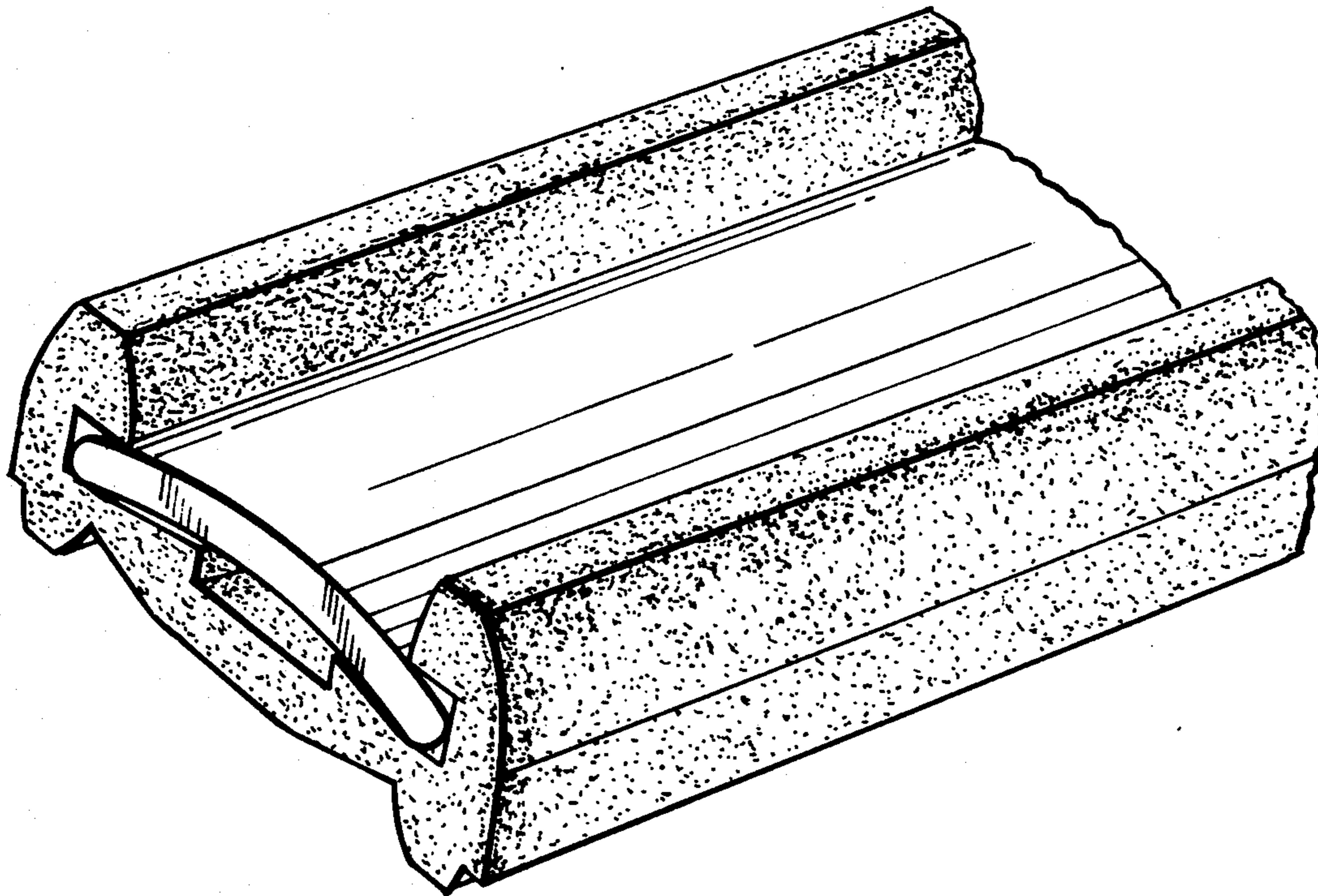


Fig. 1.

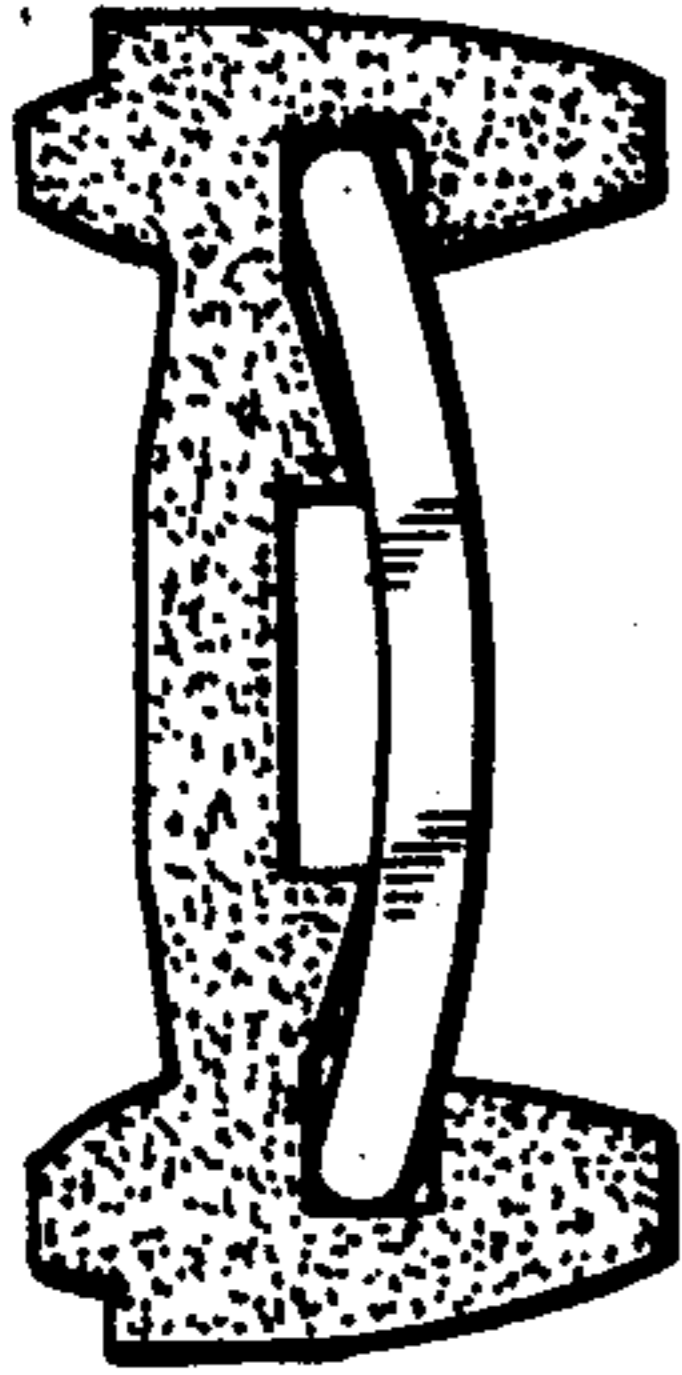


Fig. 2.

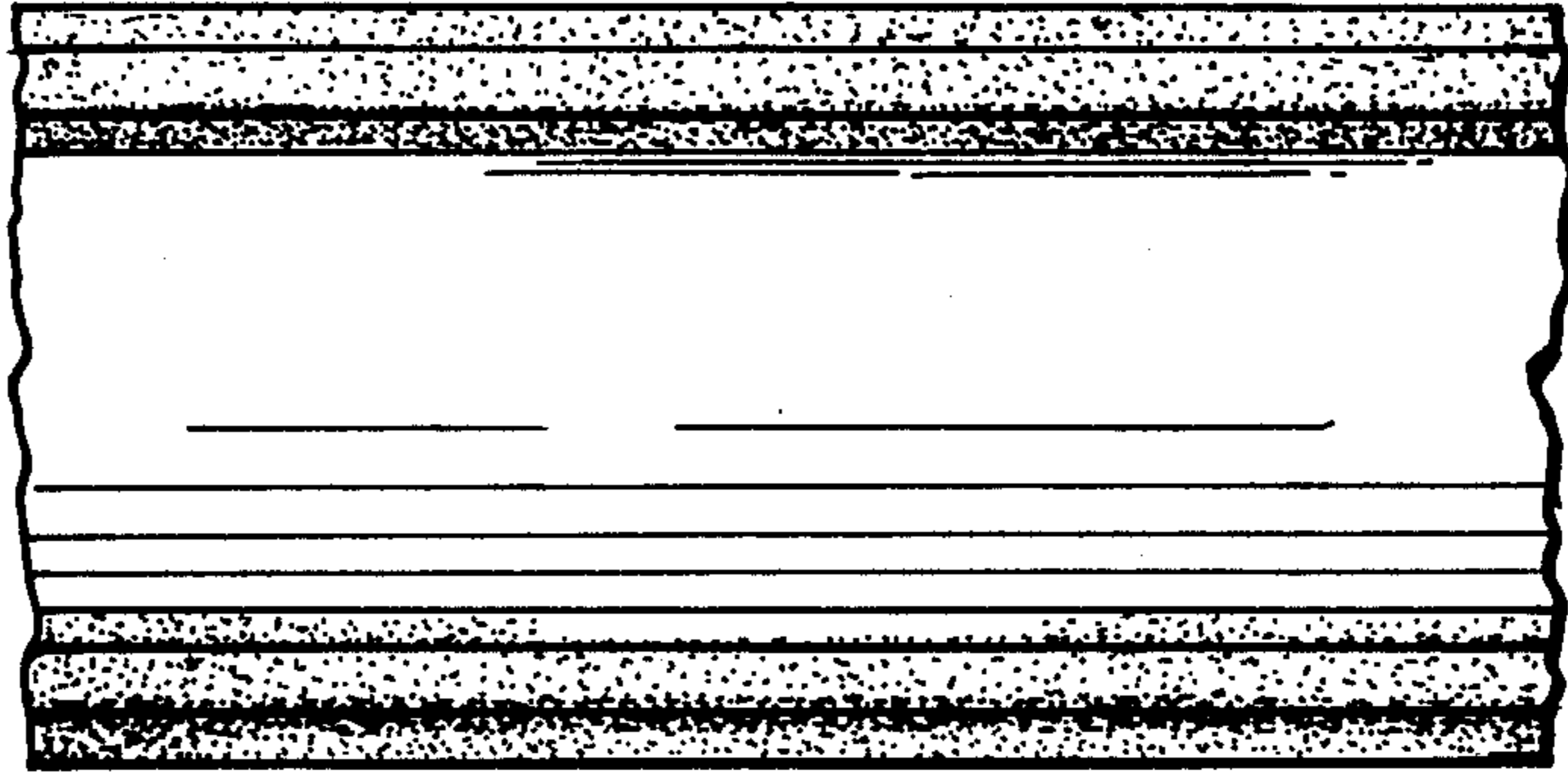


Fig. 3.

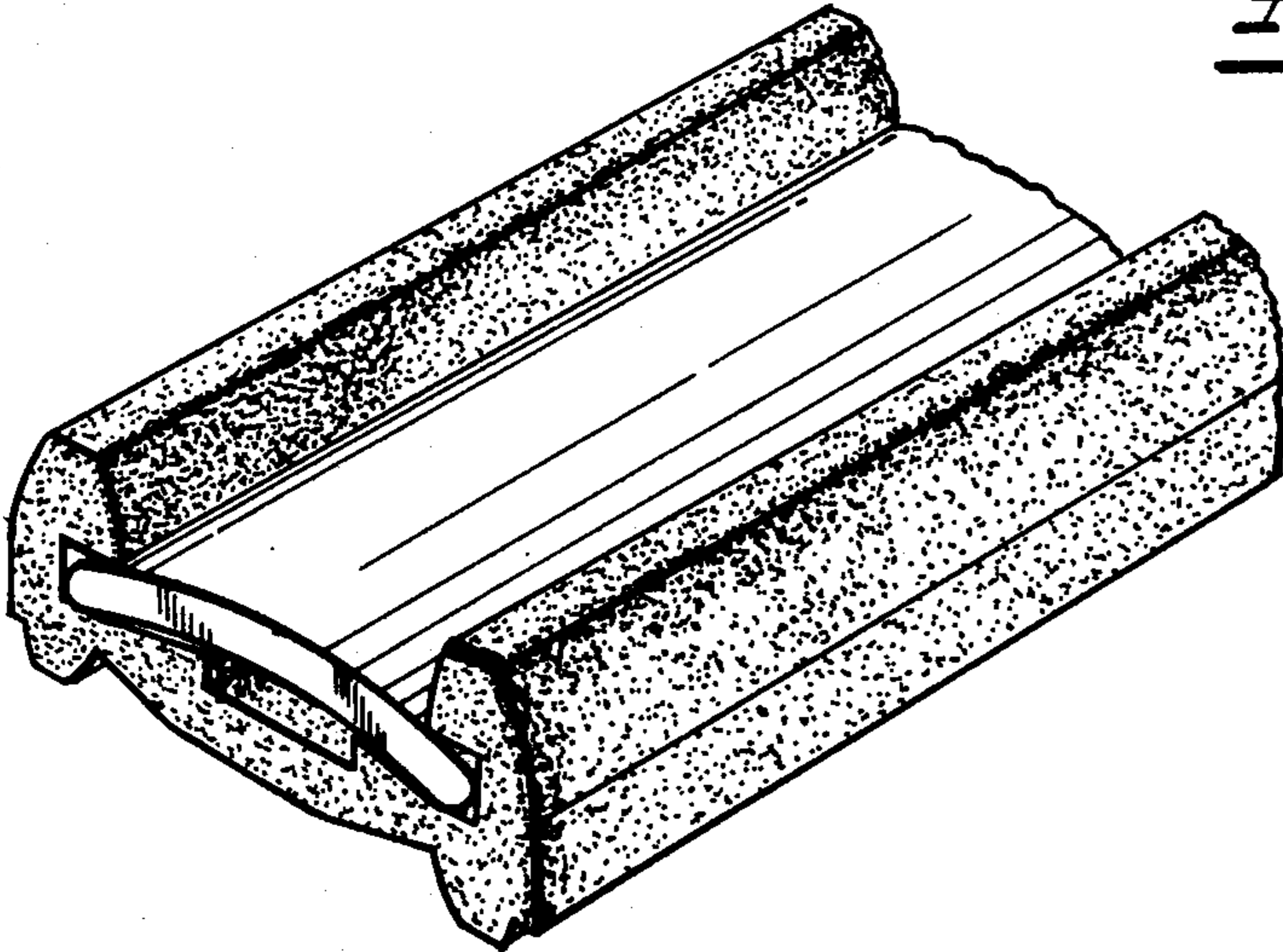


Fig. 4.

