

[54] METAL EXTRUSION

[75] Inventor: **Thorp C. Cowdroy**, Balgowlah, Australia

[73] Assignee: **Clive Investments PTY, Limited**, Balgowlah, Australia

[**] Term: **14 Years**

[21] Appl. No.: **822,287**

[22] Filed: **Aug. 5, 1977**

[51] Int. Cl. **D25-01**

[52] U.S. Cl. **D25/74**

[58] Field of Search **D25/73-79; D52/288, 720, 731, 732, 737; 160/90**

[56]

References Cited

U.S. PATENT DOCUMENTS

D. 220,090	3/1971	Van den Broek	D25/74
D. 245,791	9/1977	Copeland	D25/74
3,009,549	11/1961	Miller	D25/75 X

Primary Examiner—A. Hugo Word
Attorney, Agent, or Firm—Joseph A. DeGrandi

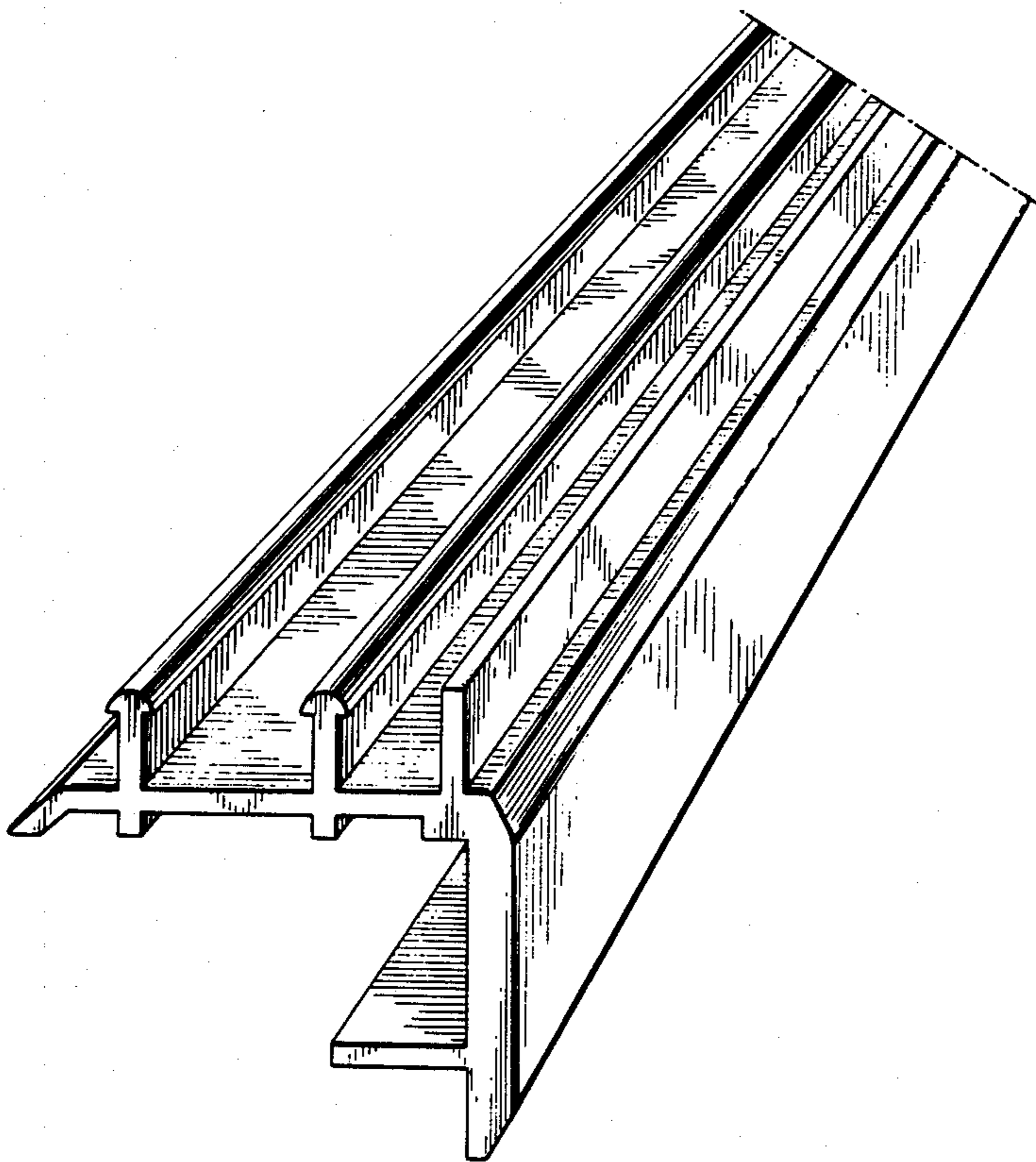
[57]

CLAIM

The ornamental design for a metal extrusion, substantially as shown.

DESCRIPTION

Reference being had to the accompanying drawing which is a perspective view of a metal extrusion of indeterminate length embodying this design.



U.S. Patent

Apr. 3, 1979

Des. 251,506

