

United States Patent [19]

Dick

[11] Des. 251,498

[45] ** Apr. 3, 1979

[54] **ADJUSTABLE HOSE CLAMP**

[76] Inventor: **George Dick, 1785 Trenton St., Denver, Colo. 80220**

[**] Term: **14 Years**

[21] Appl. No.: **722,556**

[22] Filed: **Sep. 13, 1976**

[51] Int. Cl. **D23-01**

[52] U.S. Cl. **D23/19; D23/40**

[58] Field of Search **D23/19-46; 251/9**

1,505,428	8/1924	Richards et al.	251/9
2,009,907	7/1935	Teuber	251/9
2,010,229	8/1935	Goff et al.	251/9 X
4,077,601	3/1978	Dick	251/9

FOREIGN PATENT DOCUMENTS

604686 7/1948 United Kingdom 251/9

Primary Examiner—James R. Largen
Attorney, Agent, or Firm—Max L. Wymore

[57] **CLAIM**

The ornamental design for a adjustable hose clamp, as shown.

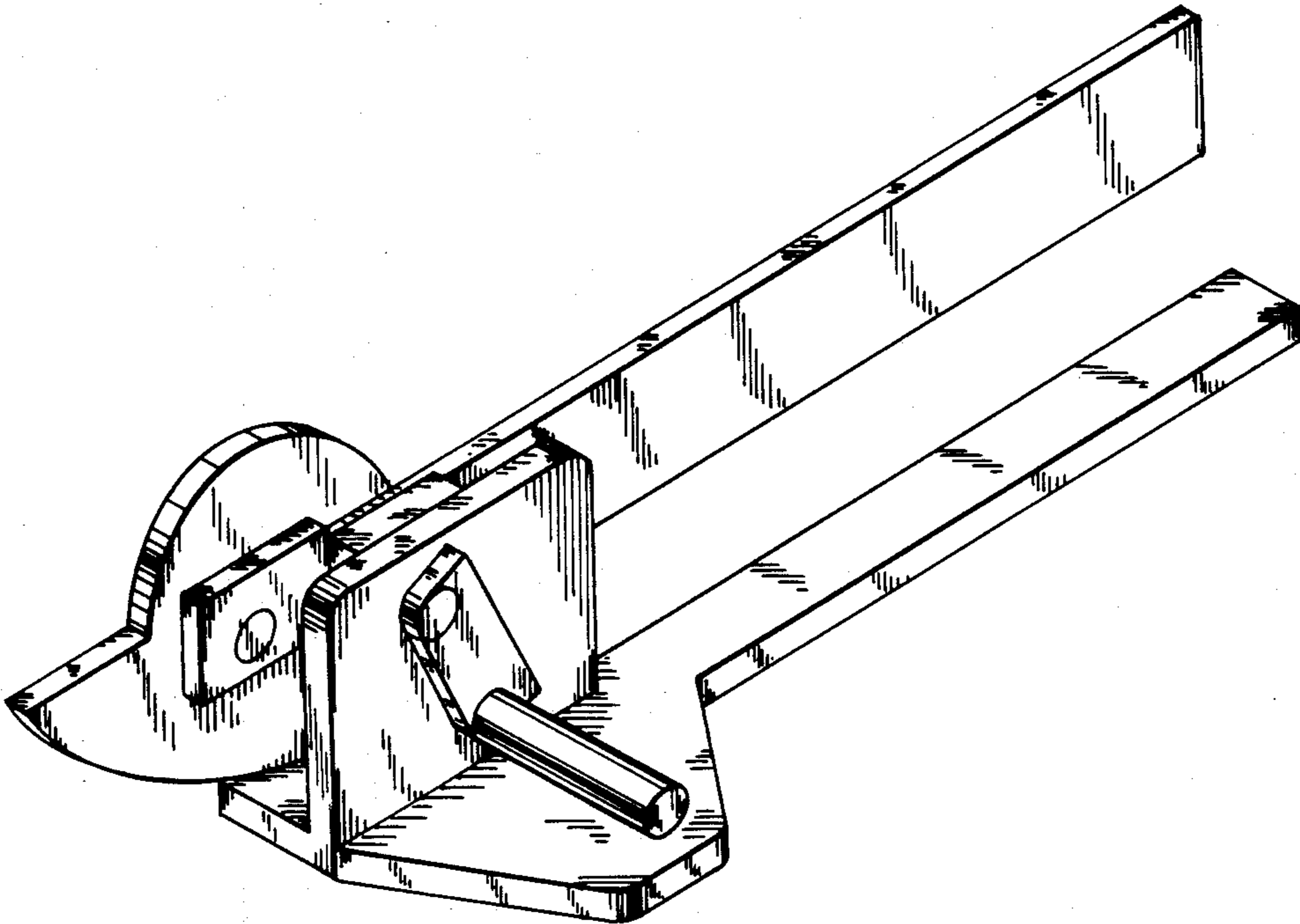
[56] **References Cited**

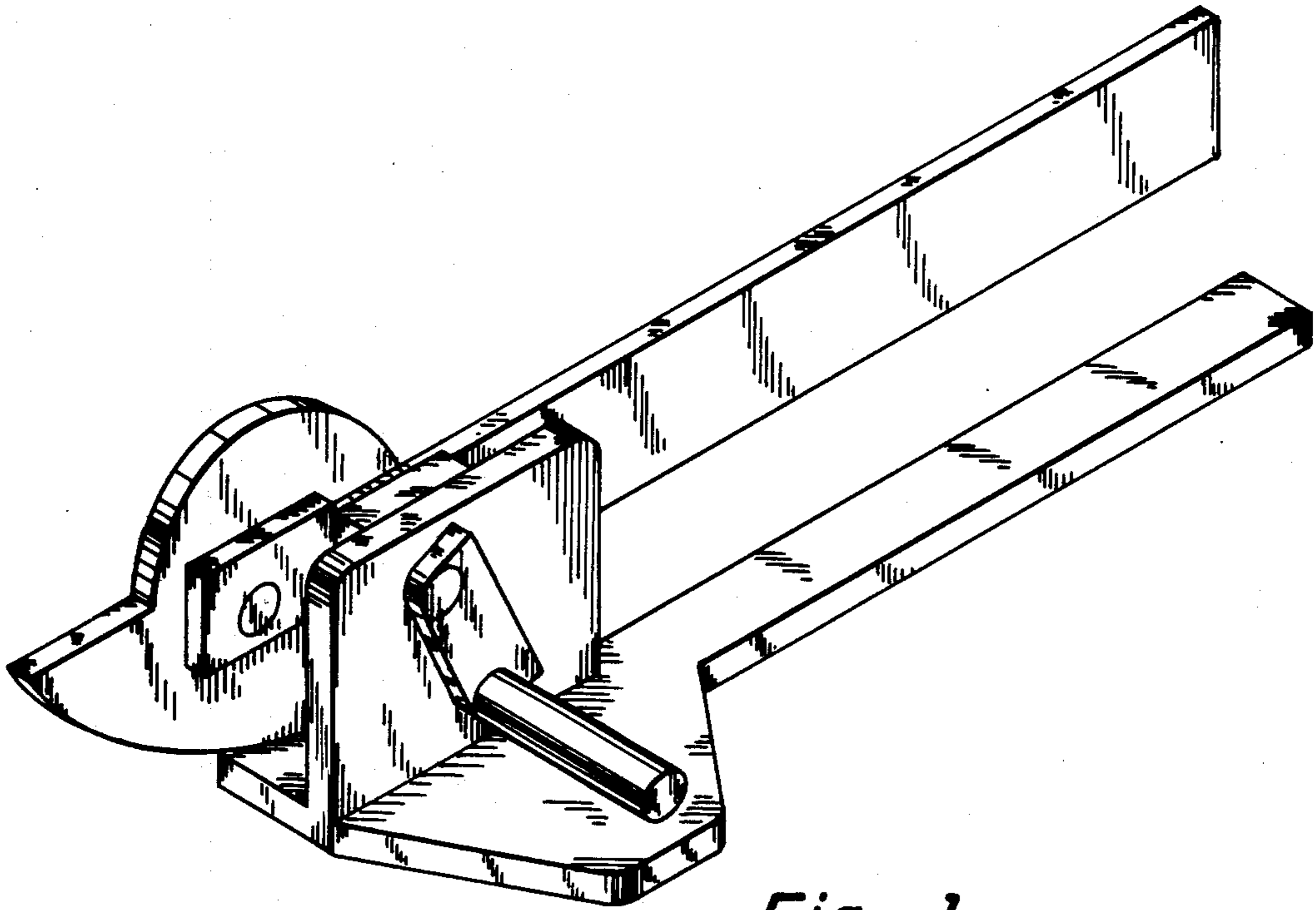
U.S. PATENT DOCUMENTS

D. 168,385	12/1952	Watson	D23/40 X
D. 208,753	9/1967	Curry	D23/38
D. 221,757	9/1971	Mullins	D23/40
D. 221,758	9/1971	Mullins	D23/40
D. 229,560	12/1973	Burke et al.	D23/19 X
985,811	3/1911	Kellam	251/9
1,488,759	4/1924	Loftus	81/331

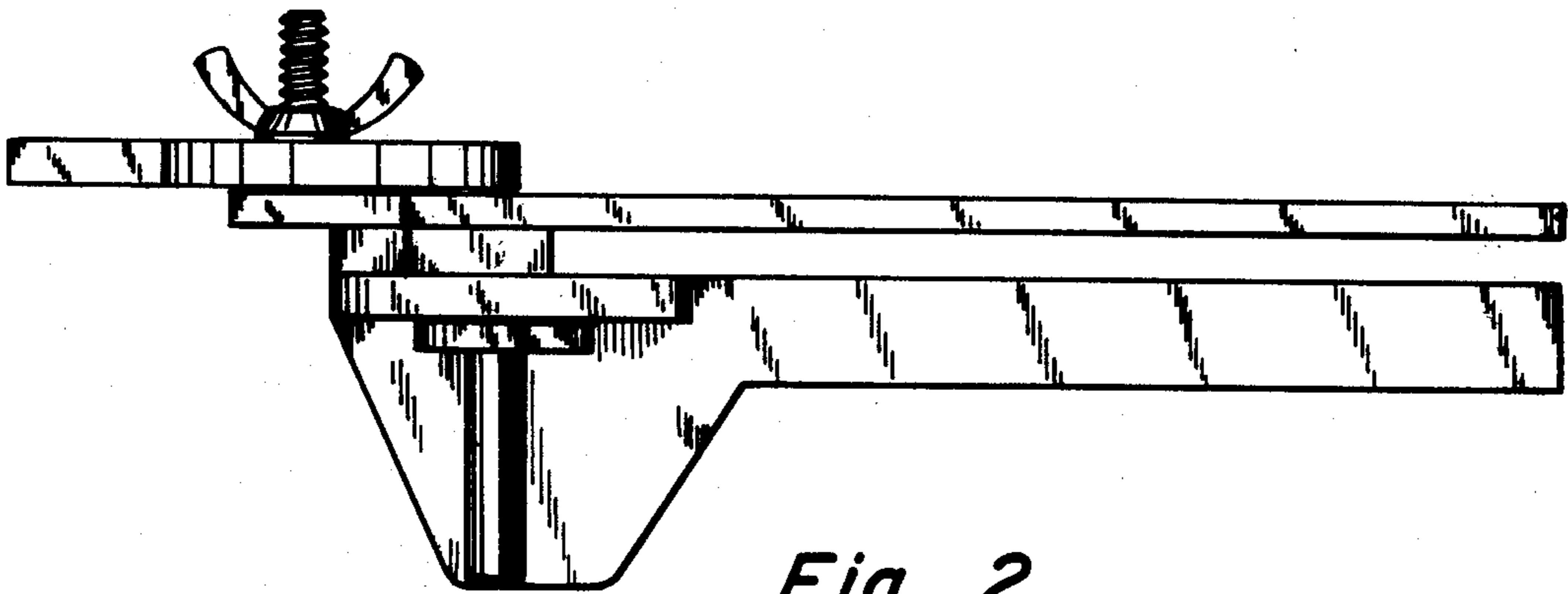
DESCRIPTION

FIG. 1 is a perspective view of my adjustable hose clamp showing my new design;
FIG. 2 is a top plan view thereof;
FIG. 3 is a front elevational view thereof;
FIG. 4 is a bottom plan view thereof;
FIG. 5 is a rear elevational view thereof;
FIG. 6 is a left-end elevational view thereof; and,
FIG. 7 is a right-end elevational view thereof.

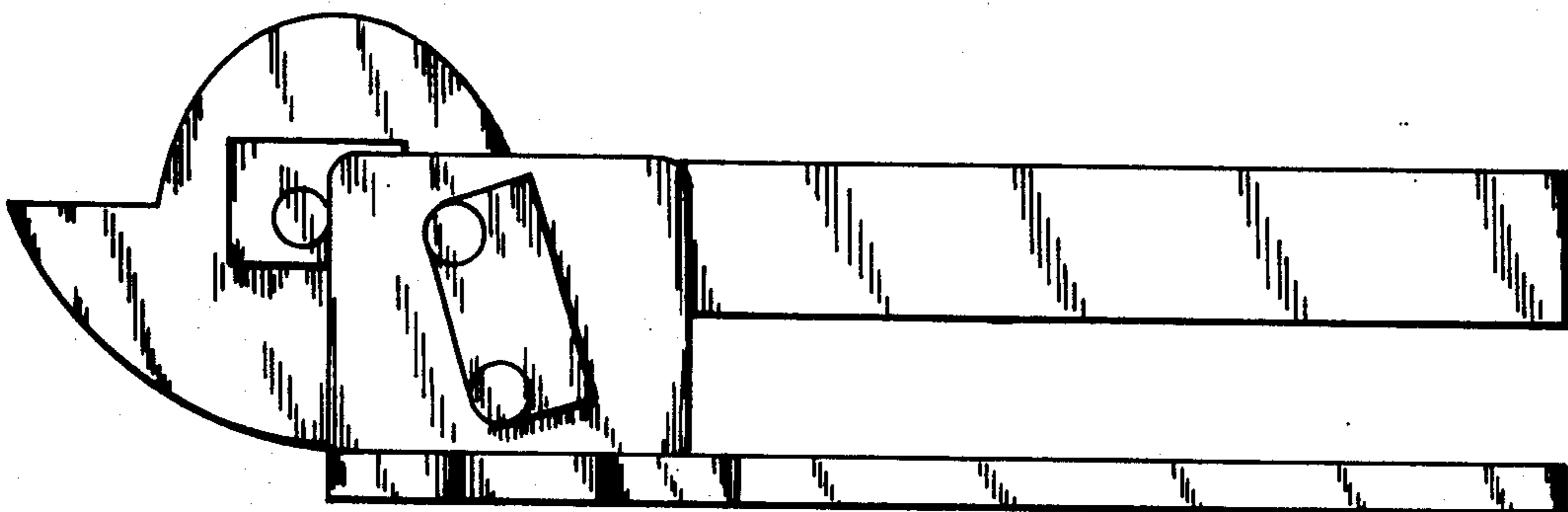




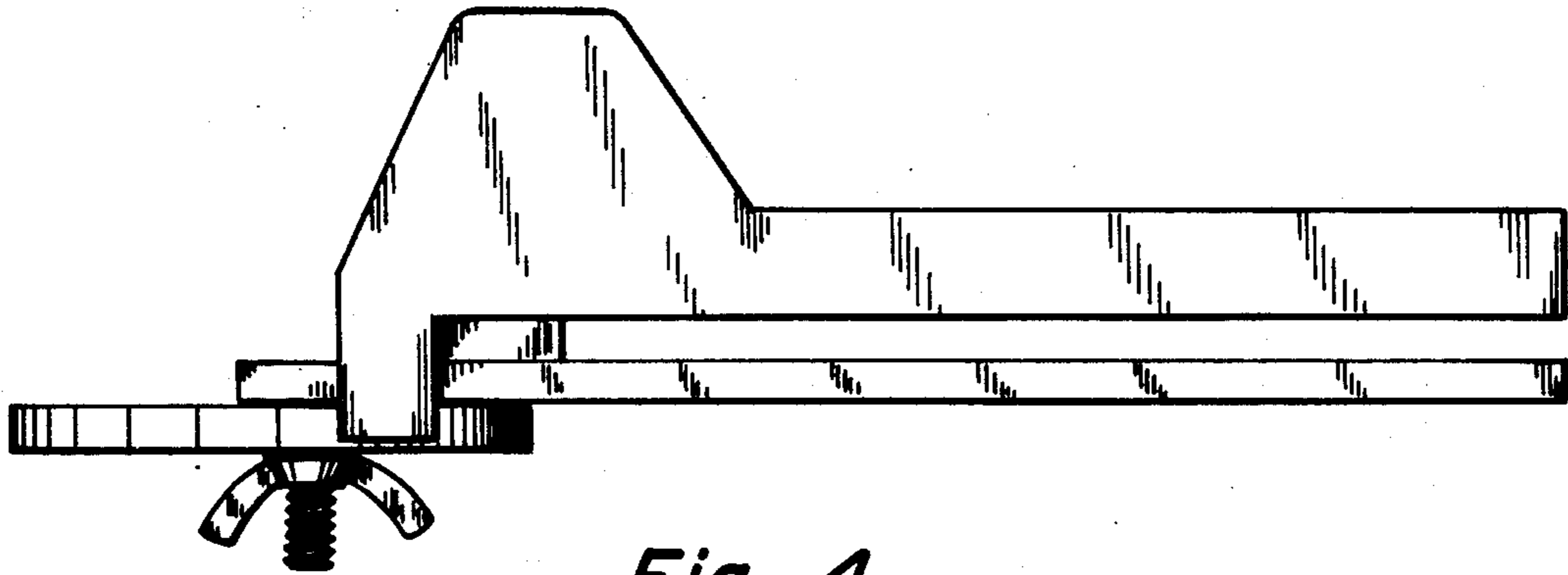
Fig_1



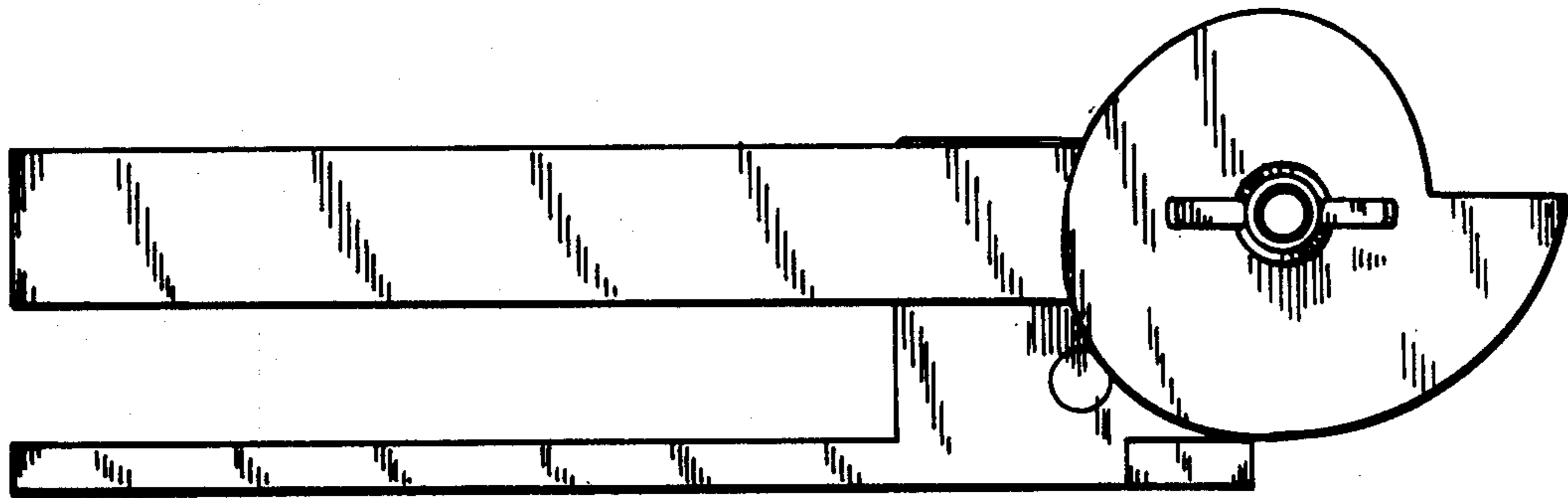
Fig_2



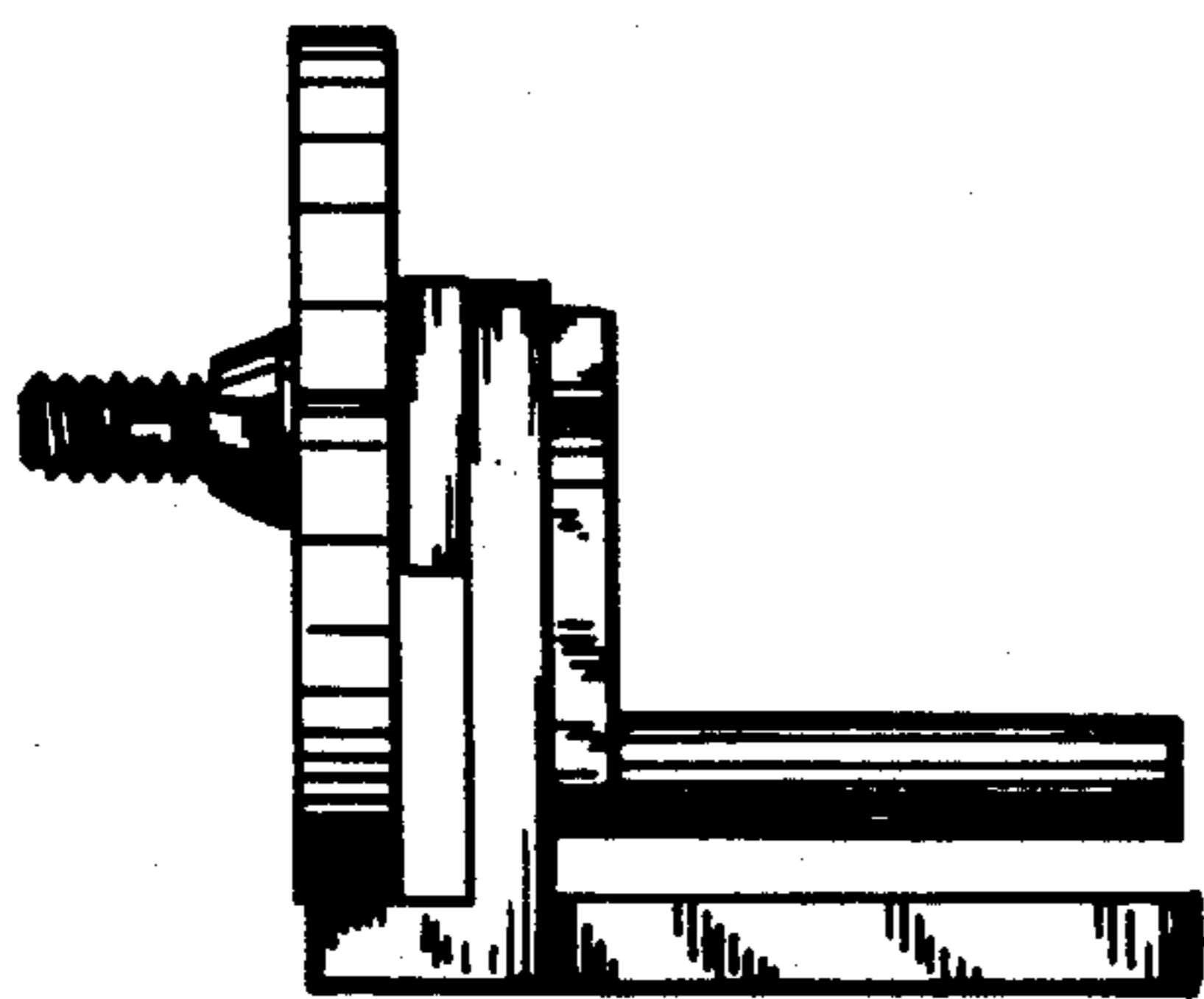
Fig_3



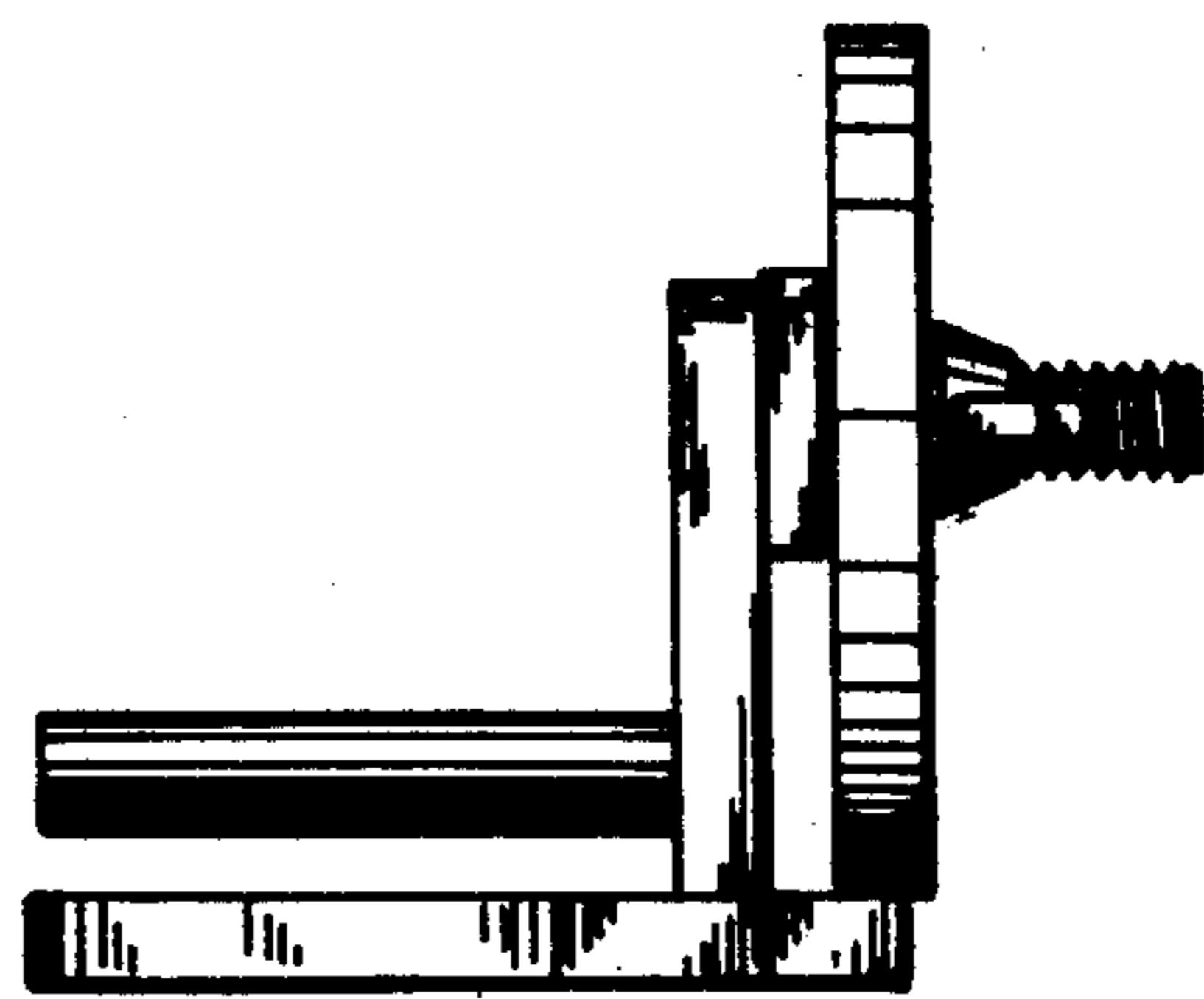
Fig_4



Fig_5



Fig_6



Fig_7