

[54] GUIDE ASSEMBLY FOR DRAWING MUSICAL STAFF

[76] Inventors: Saul E. Harrison, 737 Blvd., Westfield, N.J. 07090; Ira B. Kraemer, 467 Grant Ave., Scotch Plains, N.J. 07076

[**] Term: 14 Years

[21] Appl. No.: 678,077

[22] Filed: Apr. 19, 1976

[51] Int. Cl. D19-06

[52] U.S. Cl. D19/33

[58] Field of Search D19/33; 33/41 R, 41 F, 33/42, 44

[56] References Cited

U.S. PATENT DOCUMENTS

2,246,088 6/1941 Clementz 33/41 R

FOREIGN PATENT DOCUMENTS

940691 3/1956 Fed. Rep. of Germany 33/41 R

607418 8/1948 United Kingdom 33/41 R

Primary Examiner—Nelson C. Holtje
Attorney, Agent, or Firm—Martha G. Pugh

[57] CLAIM

The ornamental design for a guide assembly for drawing musical staff, as shown and described.

DESCRIPTION

FIG. 1 shows in perspective a top view of the assembly of our invention for drawing a musical staff, including the guide and slider disposed in operating relation.

FIG. 2 shows in perspective the under side of the guide of our invention with the slider removed.

FIG. 3 is a perspective showing, from the left-hand end, of the slider removed from the guide, the reverse side being substantially a mirror image.

FIG. 4 is a perspective showing, from the left-hand end, of one alternative form of the slider shown in FIG. 3, for use in combination with the guide shown in FIG. 2. The reverse side is substantially a mirror image of the side shown.

FIG. 5 is a perspective showing, from the left-hand end, of a second alternative form of the slider shown in FIG. 3, for use in combination with the guide shown in FIG. 2. The reverse side is substantially a mirror image of the side shown.

FIG. 6 shows the assembly of FIG. 1 arranged in operating relation to a work sheet upon which musical staves are being drawn. The work sheet and pen, interposed into one of the perforations of the slider, are shown in phantom for illustrative purposes only.

FIG. 7 is a perspective showing of the upper side of a modified form of the guide shown in FIG. 2, having adjustable cross arms.

FIG. 8 is a perspective showing of the under side of the modified guide of FIG. 7.

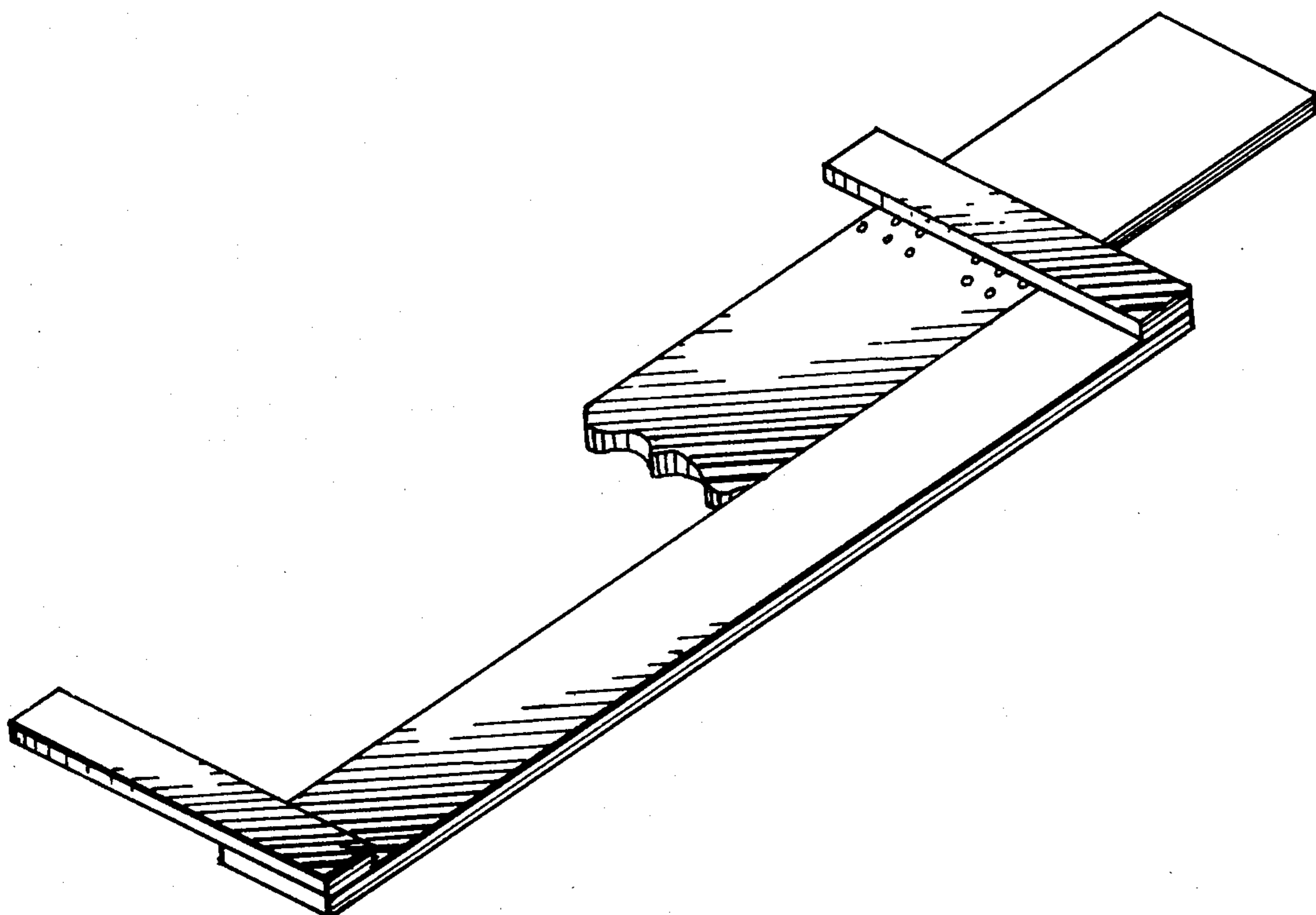


FIGURE 1

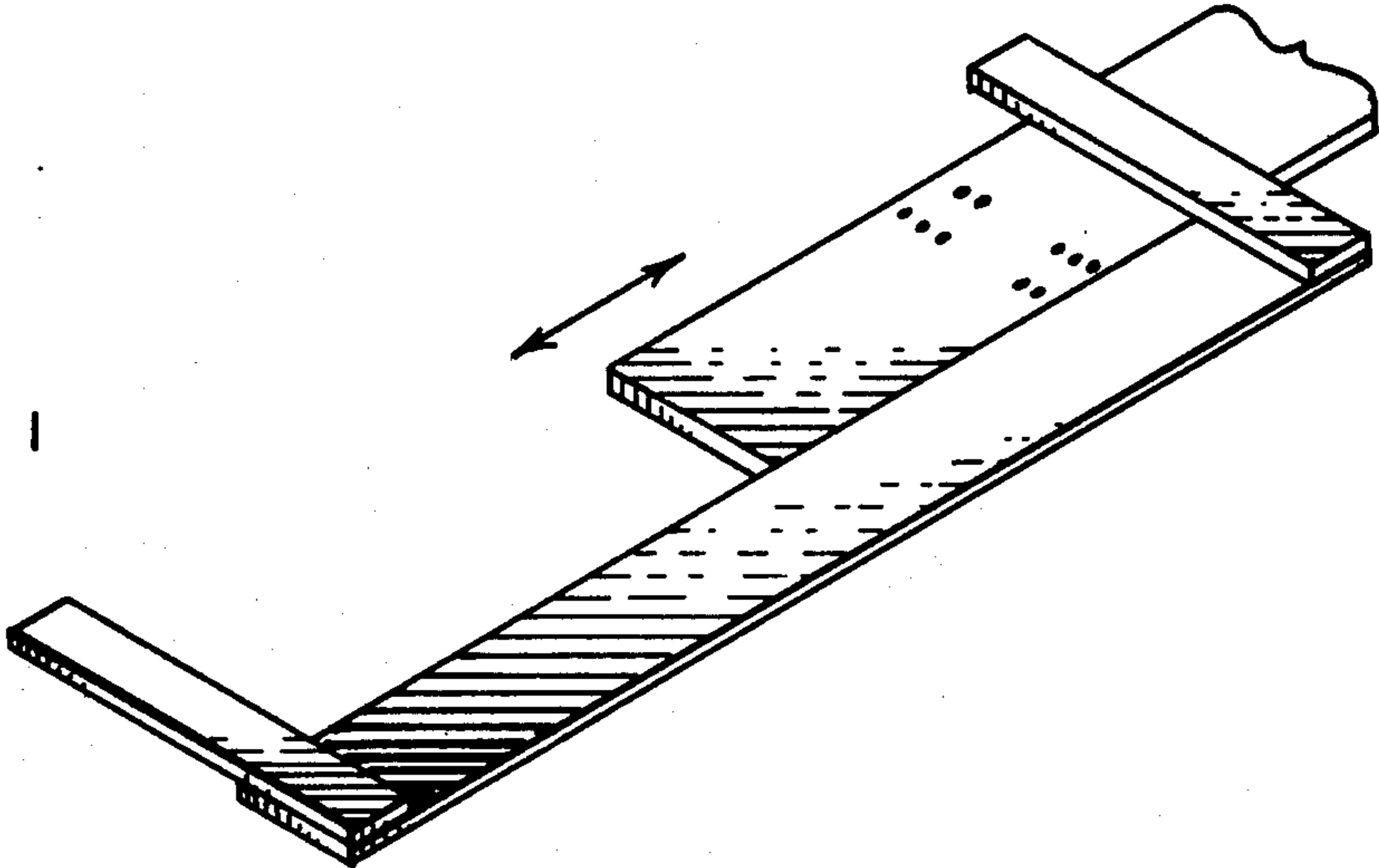


FIGURE 2

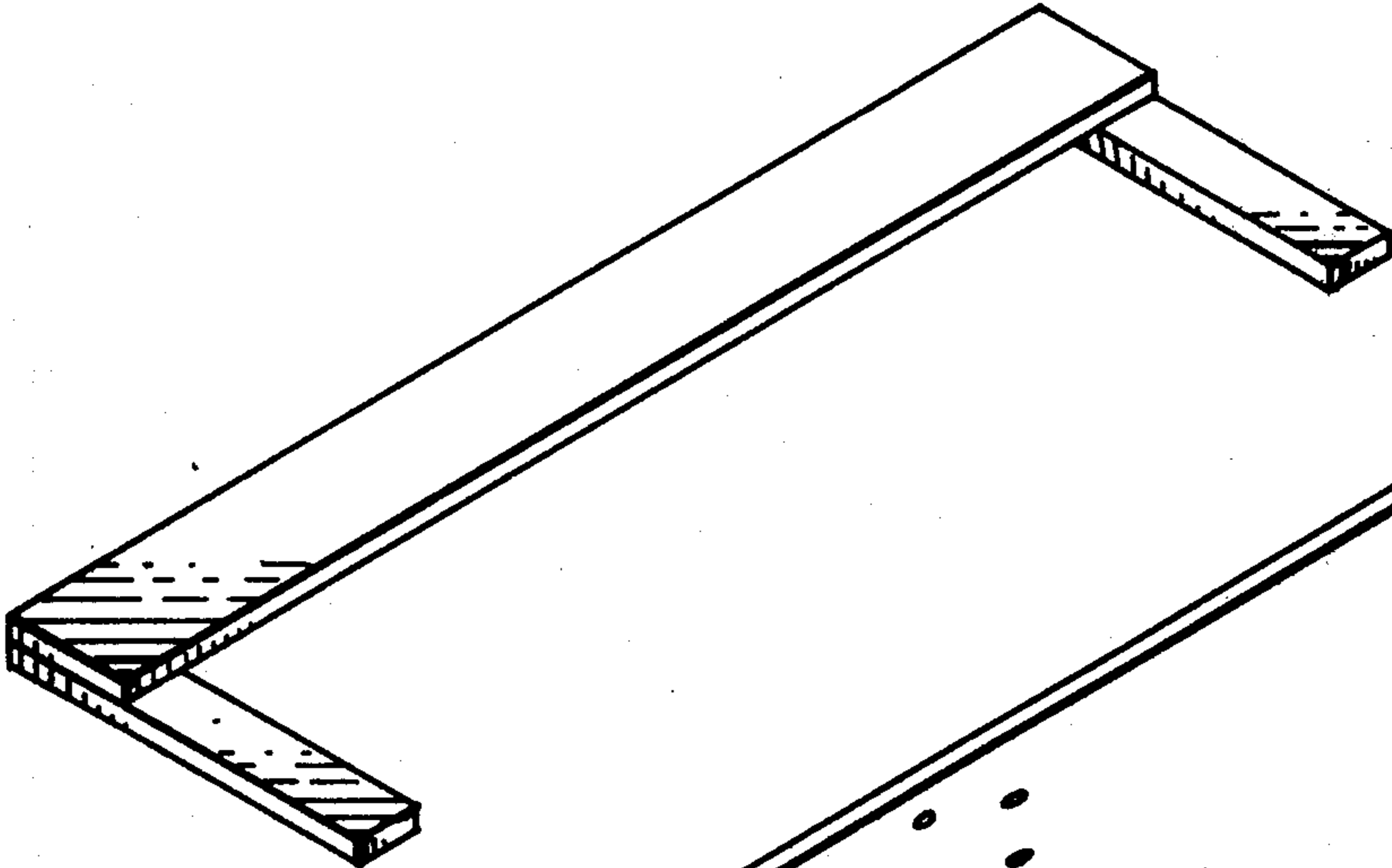


FIGURE 3

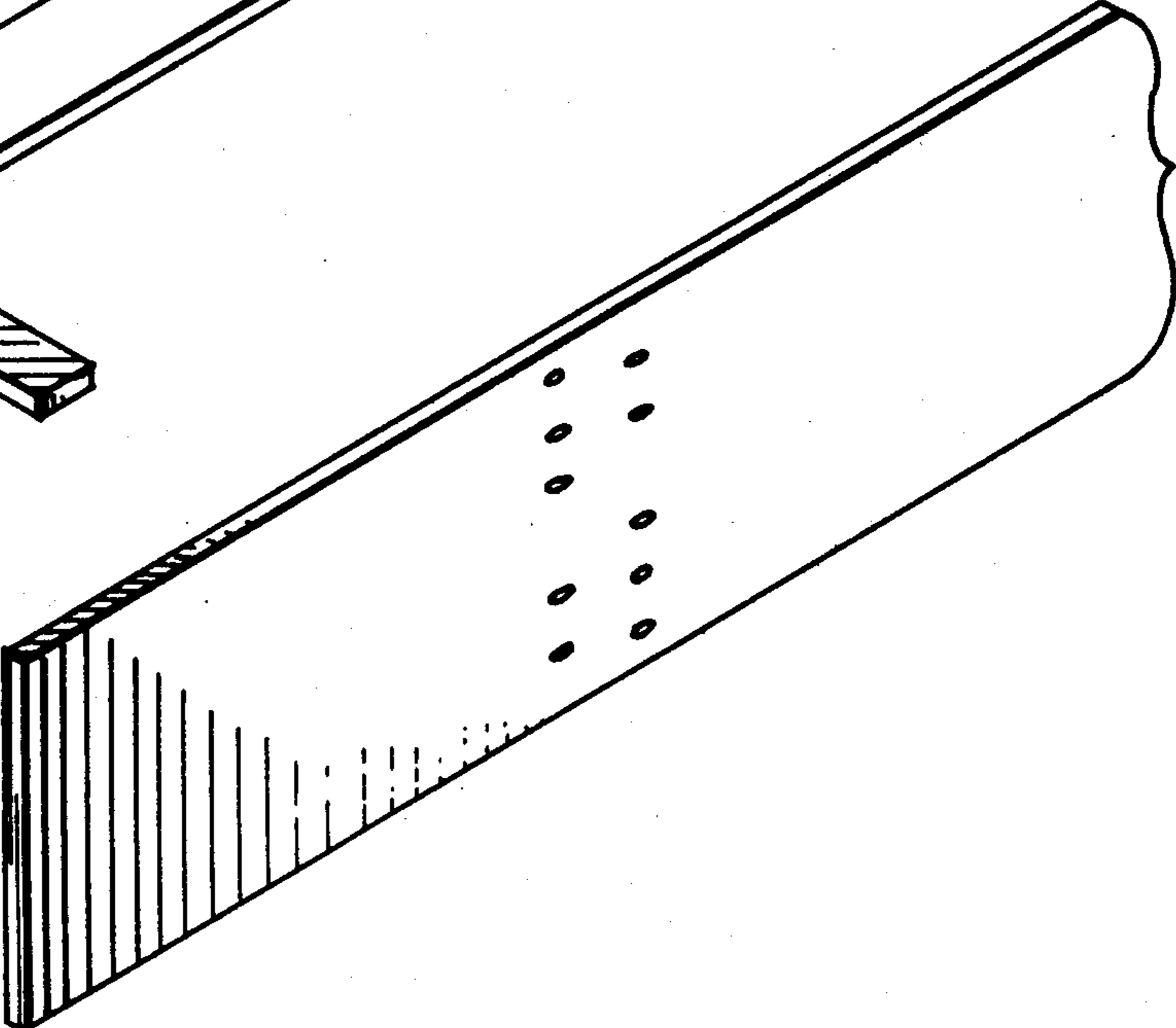


FIGURE 4

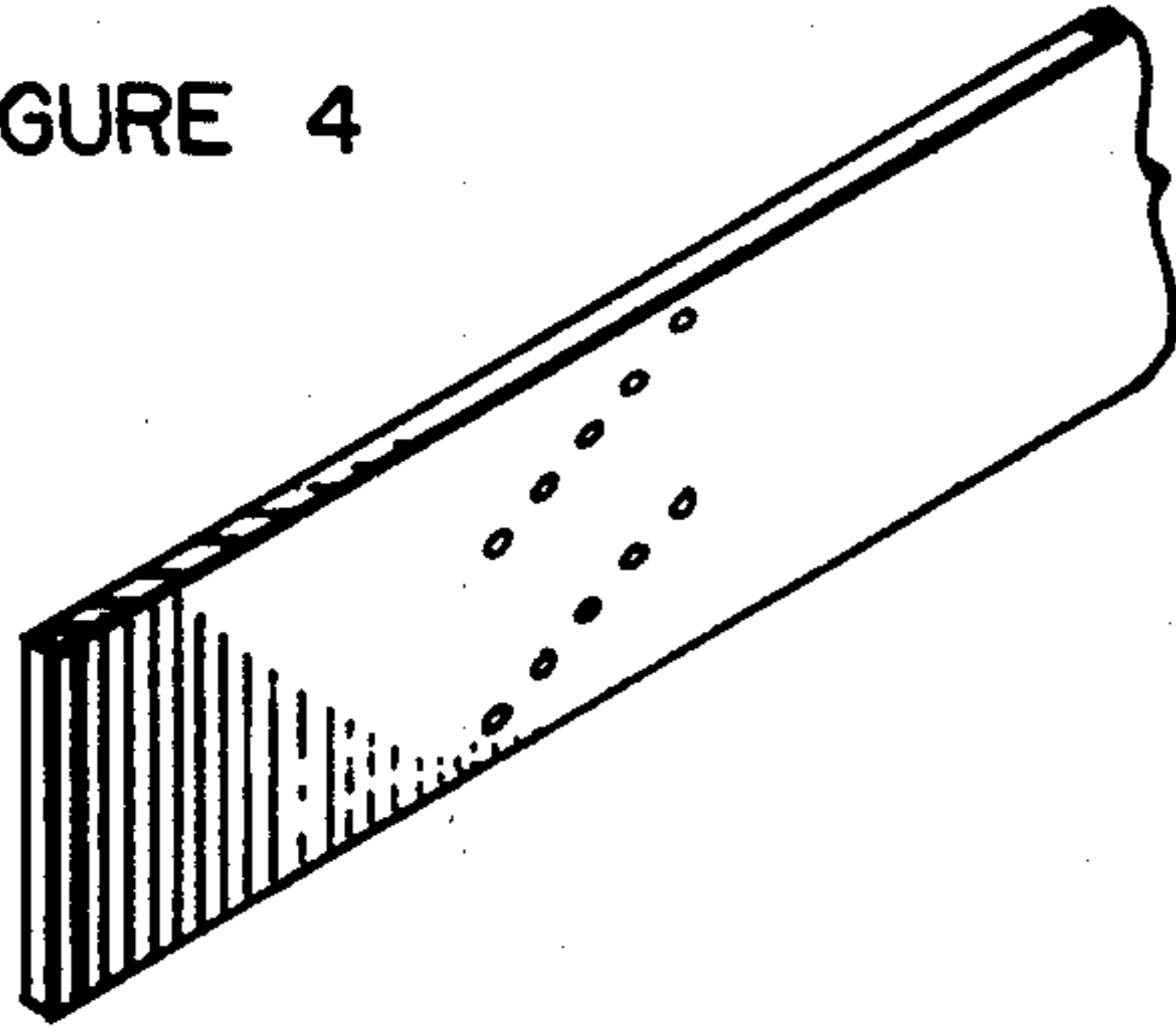


FIGURE 5

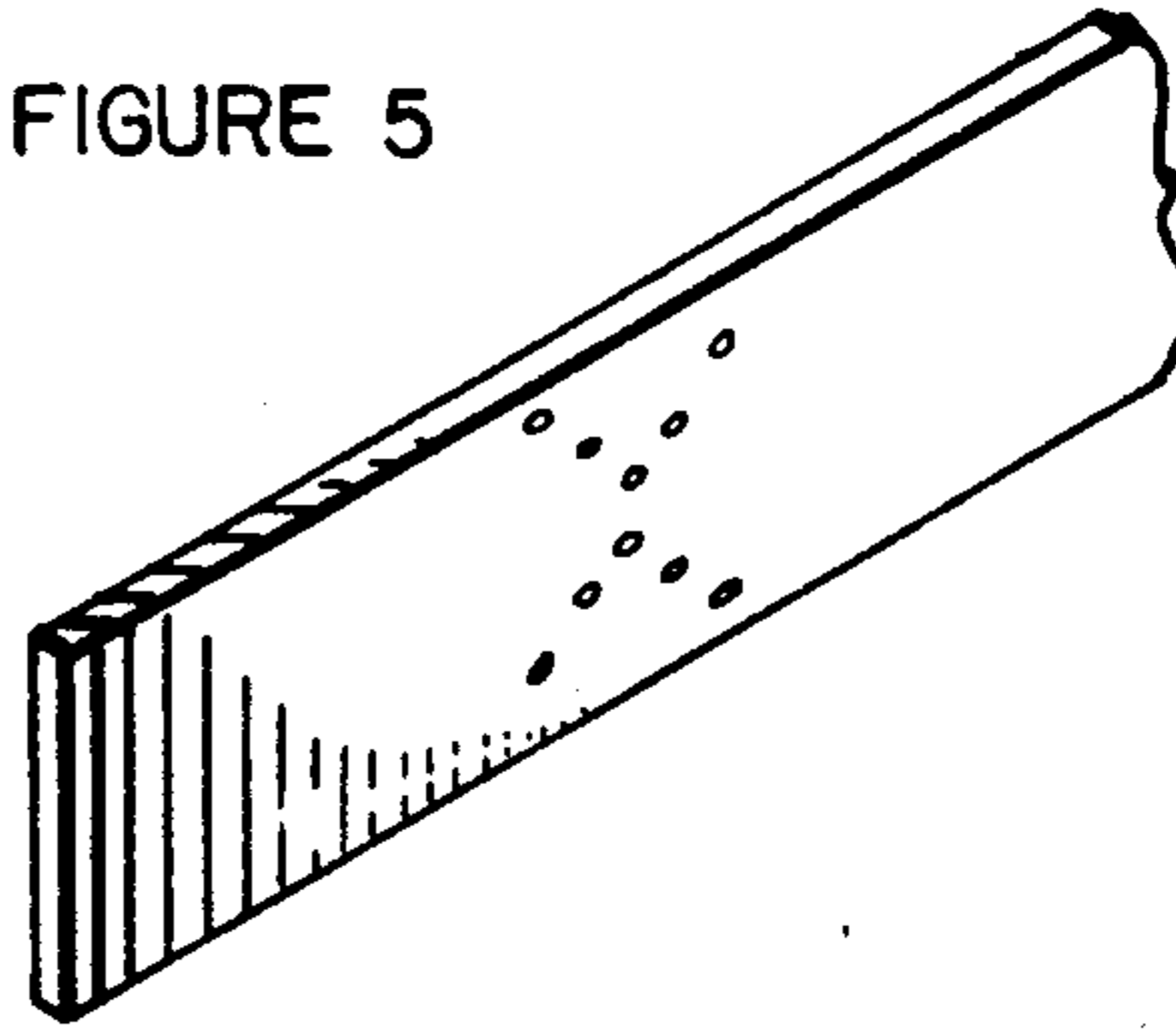
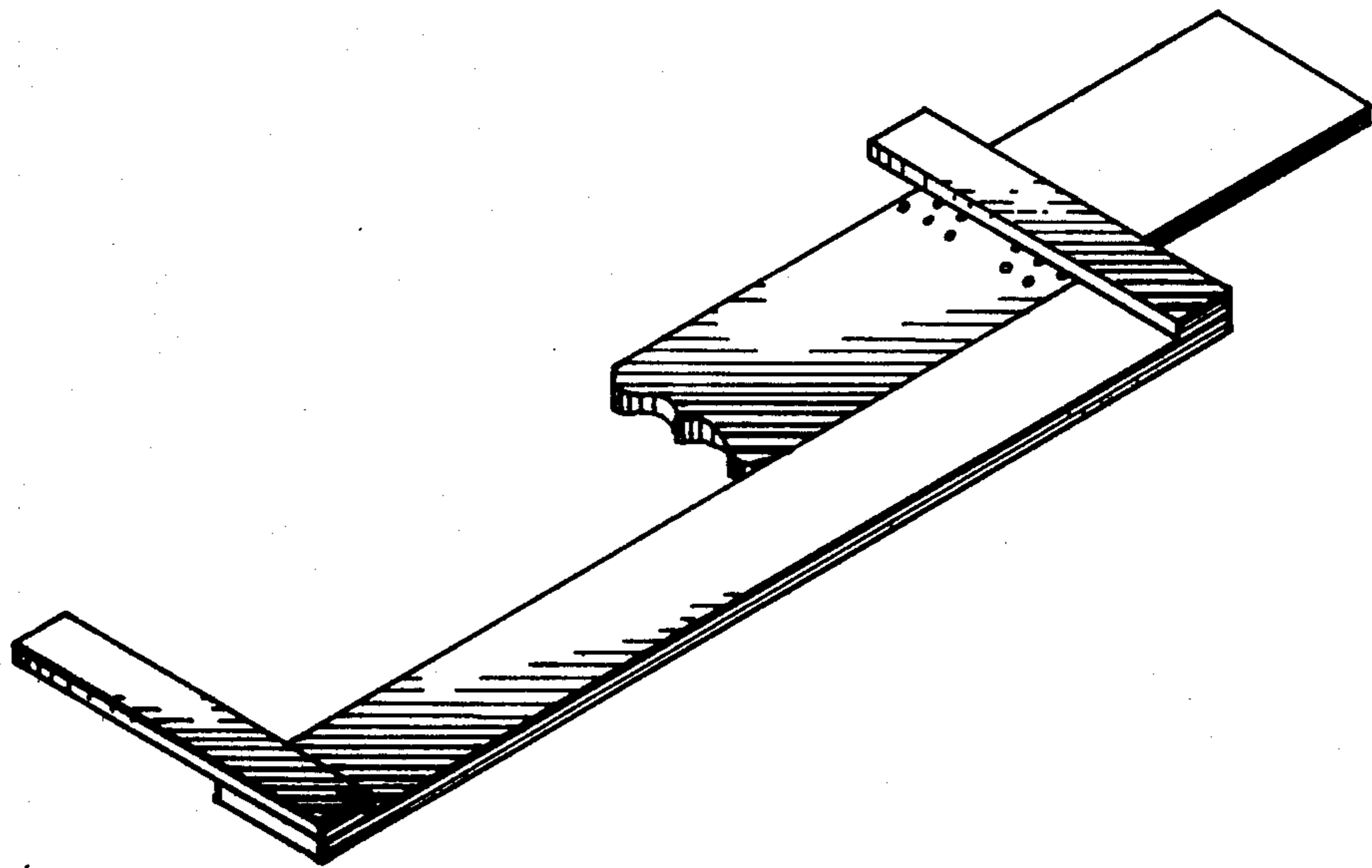


FIGURE 6



UNITED STATES PATENT OFFICE Page 1 of 2
CERTIFICATE OF CORRECTION

Patent No. Des 251,495 Dated April 3, 1979

Inventor(s) Saul E. Harrison, et al

It is certified that error appears in the above-identified patent and that said Letters Patent are hereby corrected as shown below:

The title of invention should be deleted to read
--MUSICAL STAFF DRAWING INSTRUMENT--

Item "577 CLAIM" should be deleted to read
--The ornamental design for a musical staff drawing instrument, as shown and described.--

The description of Figs. 1 thru 8 should be deleted and following description of Figs. 1 thru 6 should be inserted therefor:

- Fig. 1 is a top perspective view of a musical staff drawing instrument, showing my new design.
- Fig. 2 is an opposite side perspective view of the guide unit.
- Fig. 3 is a top perspective view of the slider of Fig. 1, the opposite side being a mirror image thereof.
- Fig. 4 is a perspective view of an alternate form of the slider of Fig. 1, the opposite side being a mirror image thereof.
- Fig. 5 is a perspective view of yet another alternate form of the slider of Fig. 1, the opposite side being a mirror image thereof.

UNITED STATES PATENT OFFICE
CERTIFICATE OF CORRECTION

Page 2 of 2

Patent No. Des 251,495 Dated April 3, 1979

Inventor(s) Saul E. Harrison, et al

It is certified that error appears in the above-identified patent and that said Letters Patent are hereby corrected as shown below:

Fig. 6 is a perspective view of Fig. 1 with the slider in a reverse direction.--

Signed and Sealed this

Eleventh Day of September 1979

[SEAL]

Attest:

Attesting Officer

LUTRELLE F. PARKER
Acting Commissioner of Patents and Trademarks