

[54] CATTLE CHUTE

[76] Inventors: Joseph W. Cullen, Jr.; Roy L. Cullen, both of Rte. 1, Box 2, Eagle, Id. 83616

[**] Term: 14 Years

[21] Appl. No.: 448,591

[22] Filed: Mar. 6, 1974

[51] Int. Cl. D12-10

[52] U.S. Cl. D12/105

[58] Field of Search D12/105, 101, 58, 56; D30/1, 2; 193/38, 41; 119/82, 99; 105/436; 214/85; 296/13, 61; 14/1, 31, 70, 72

[56] References Cited

U.S. PATENT DOCUMENTS

| | | | |
|------------|---------|--------------------|---------|
| D. 149,806 | 6/1948 | Gaboury | D12/105 |
| 2,754,802 | 7/1956 | Patterson | 119/82 |
| 3,020,882 | 2/1962 | Browning | 119/82 |
| 3,148,664 | 9/1964 | Nelson et al. | 119/82 |
| 3,225,744 | 12/1965 | Procter | 119/82 |
| 3,241,527 | 3/1966 | Burns et al. | 119/82 |
| 3,538,889 | 11/1970 | Keller et al. | 119/82 |

3,796,191 3/1974 McIntire 119/82

FOREIGN PATENT DOCUMENTS

1219408 1/1971 United Kingdom 119/82

OTHER PUBLICATIONS

Successful Farming, movable loading chute, bottom of page.

Primary Examiner—Wallace R. Burke

Assistant Examiner—James M. Gandy

Attorney, Agent, or Firm—Paul F. Horton

[57] CLAIM

The ornamental design for a cattle chute, substantially as shown and described.

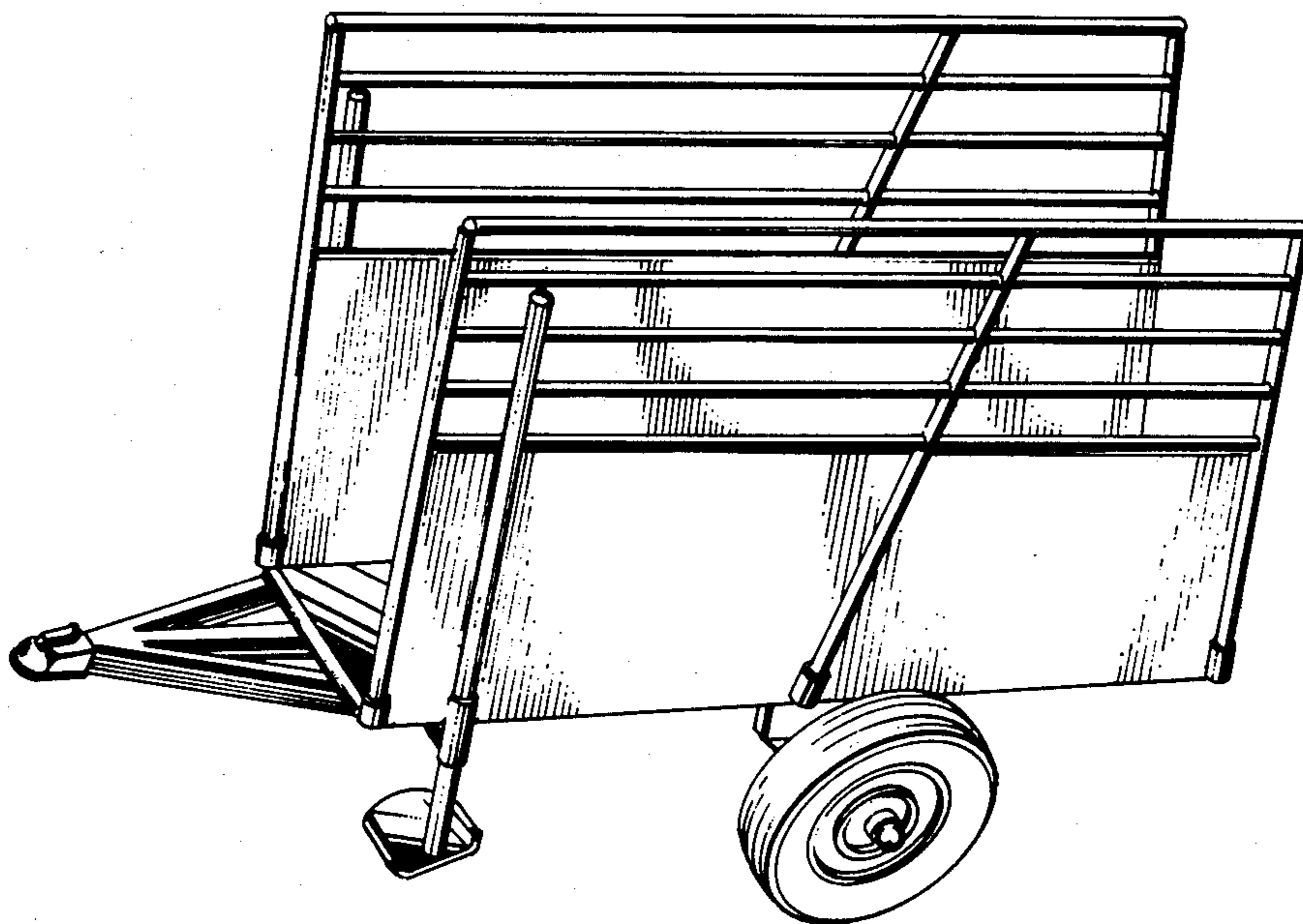
DESCRIPTION

FIG. 1 is a left front perspective view of a cattle chute showing our new design.

FIG. 2 is a bottom right rear perspective view thereof.

FIG. 3 is a left side elevational view thereof in its extended position, and with the trailer hitch assembly in a vertical collapsed position.

The top surface of the floor deck of the cattle chute is understood to be flat and unornamented.



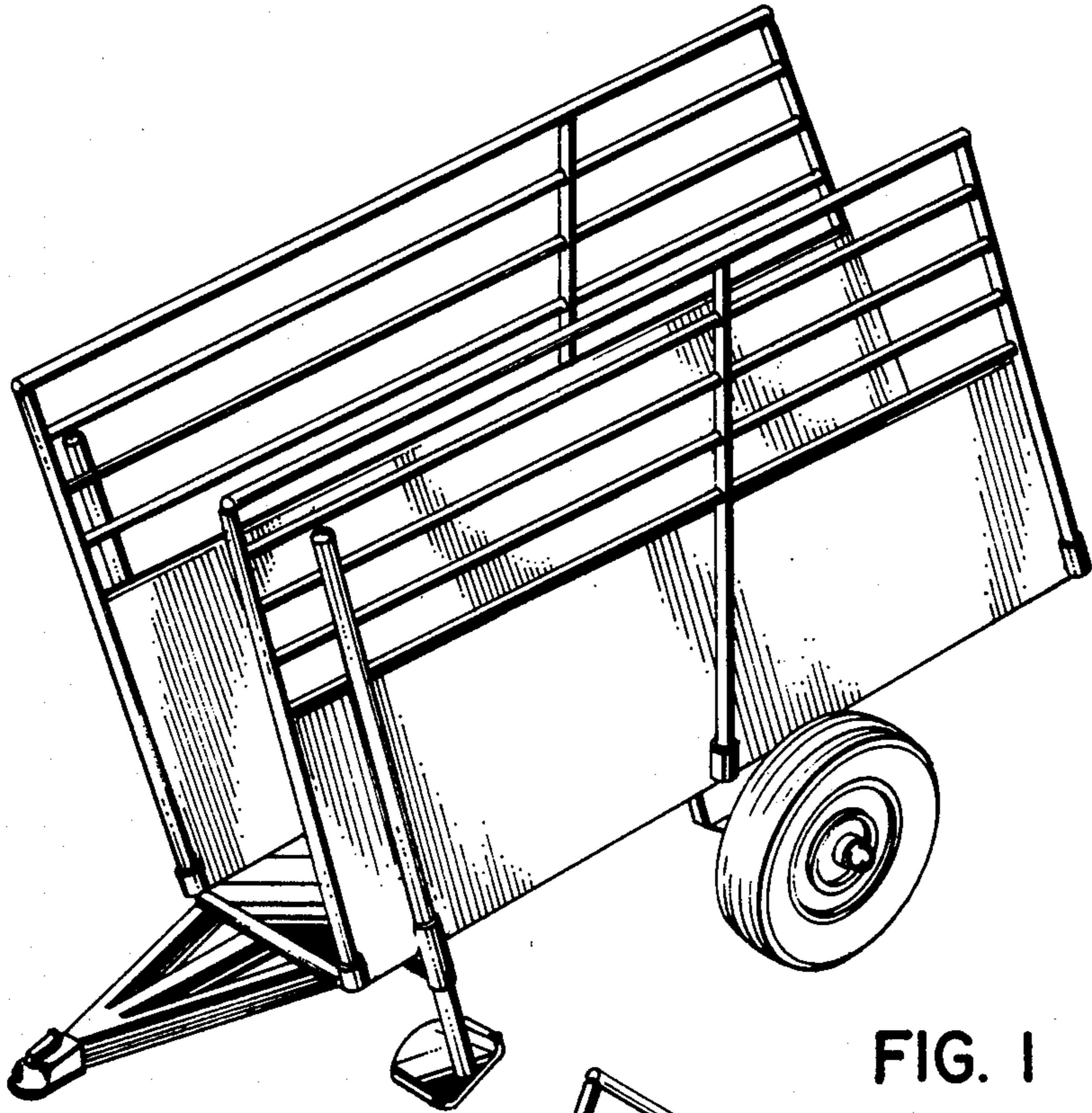


FIG. 1

FIG. 2

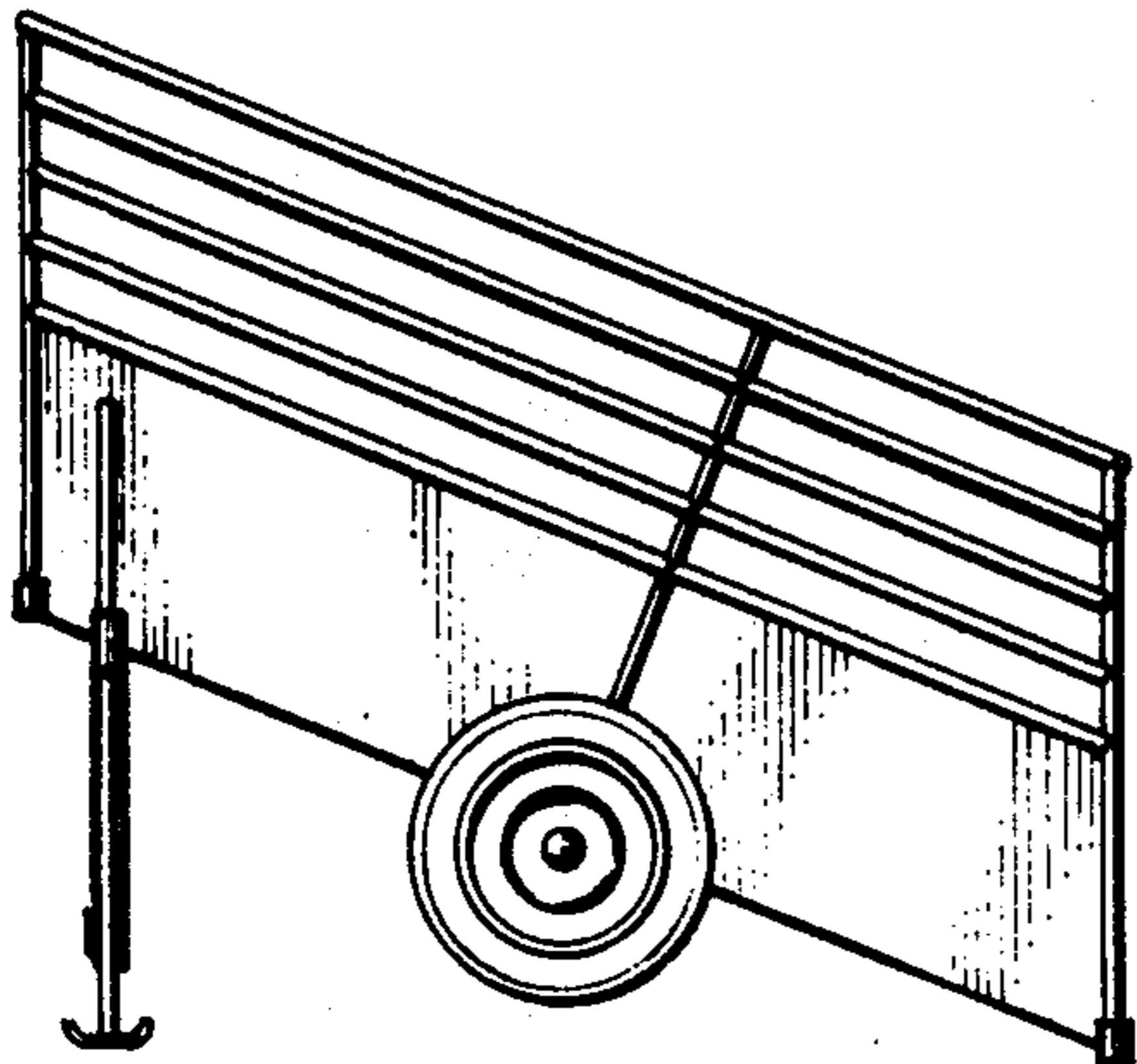
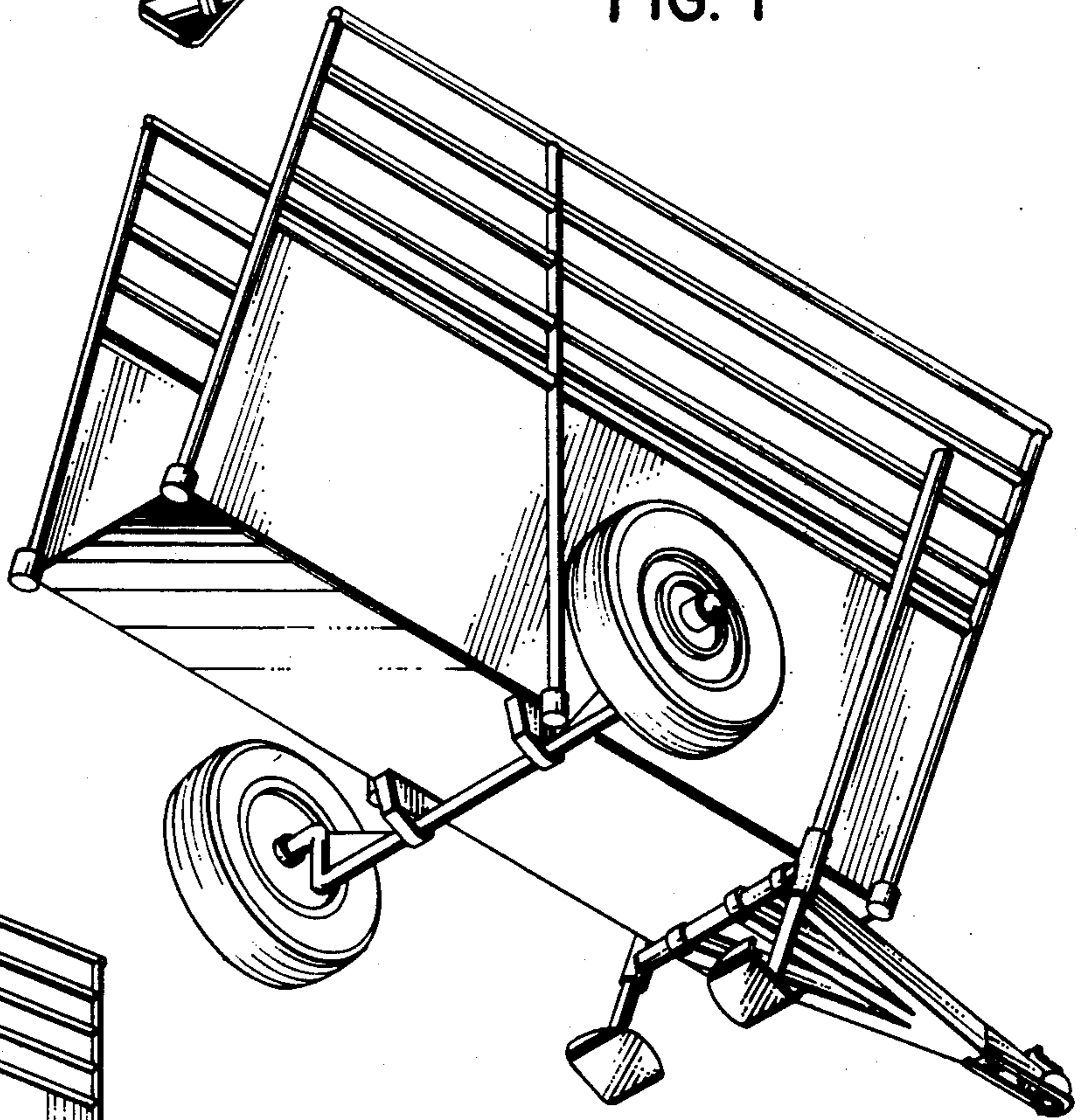


FIG. 3