

[54] BASE FOR A MEASURING INSTRUMENT

[76] Inventor: Kenneth A. Freeman, 6622 Bridle Cir., Yorba Linda, Calif. 92686

[**] Term: 14 Years

[21] Appl. No.: 810,631

[22] Filed: Jun. 27, 1977

[51] Int. Cl. D10-07

[52] U.S. Cl. D10/74; D10/70

[58] Field of Search D10/73, 70, 74; 33/143 R, 169 R, 169 A, 169 B

[56] References Cited

U.S. PATENT DOCUMENTS

- D. 131,835 3/1942 Messana D10/73
- 2,774,146 12/1956 McCoy 33/169 R

- 2,827,707 3/1958 Croshier 33/169 R
- 2,926,426 3/1960 Lury 33/169 A
- 3,129,512 4/1964 Schiller 33/174 R X
- 3,251,133 5/1966 Turtschan 33/169 R
- 3,994,071 11/1976 Schöffel 33/169 R

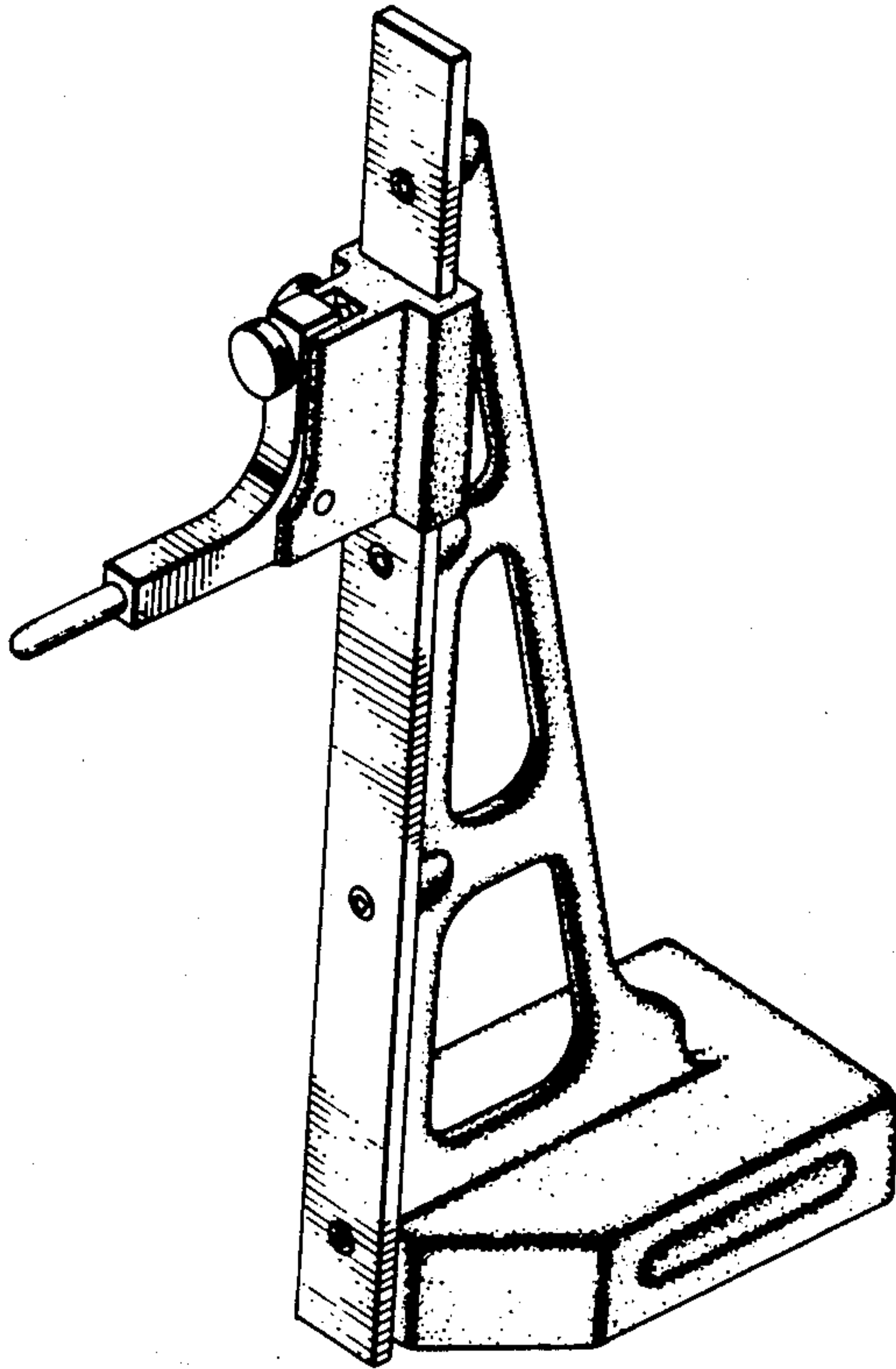
Primary Examiner—Nelson C. Holtje
Attorney, Agent, or Firm—Philip M. Hinderstein

[57] CLAIM

The ornamental design for a base for a measuring instrument, as shown.

DESCRIPTION

FIG. 1 is a right side perspective view of a base for a measuring instrument showing my new design; FIG. 2 is a rear elevation view thereof; FIG. 3 is left side elevation view thereof; and FIG. 4 is a bottom plan view thereof.



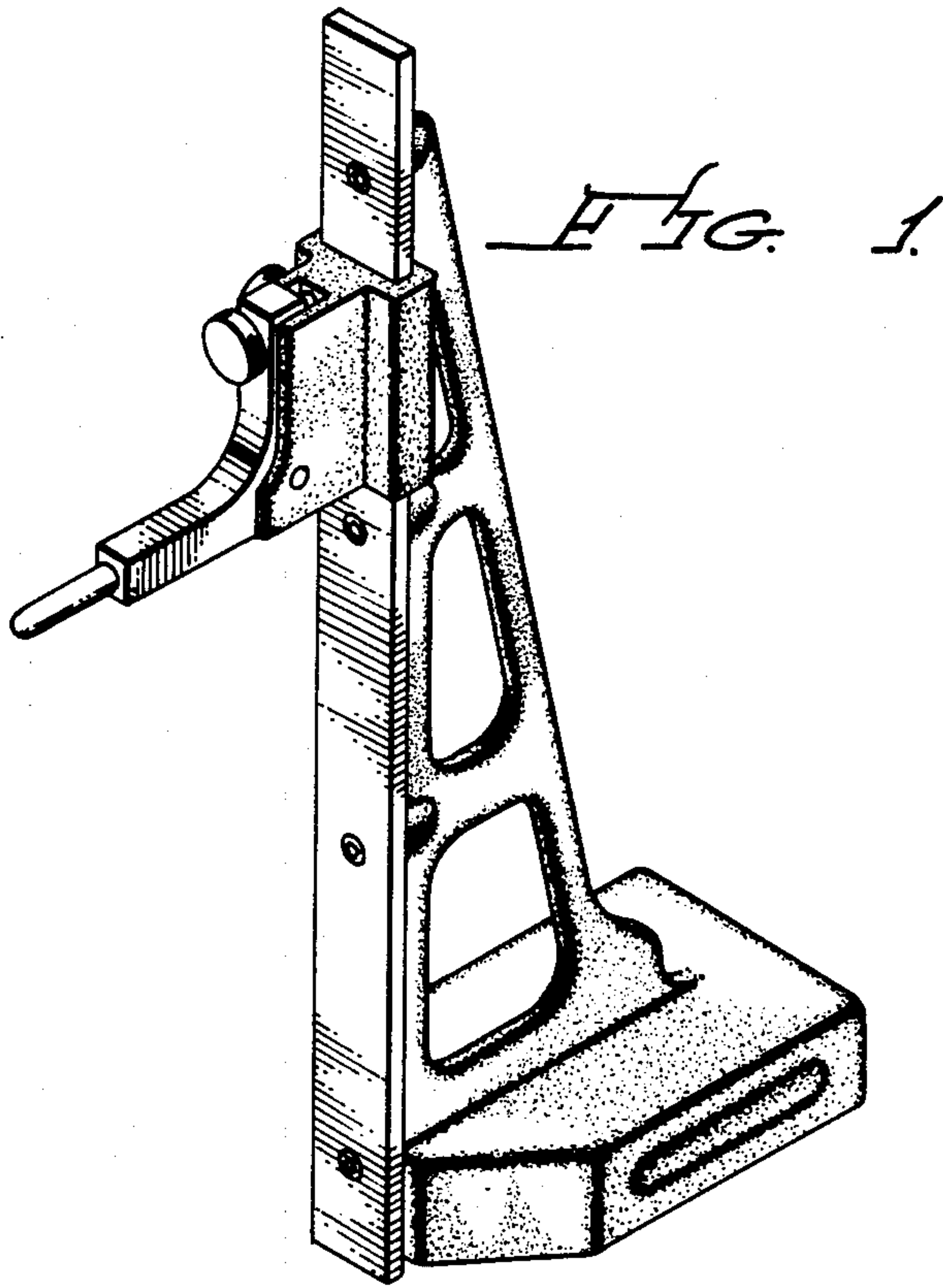


FIG. 2.

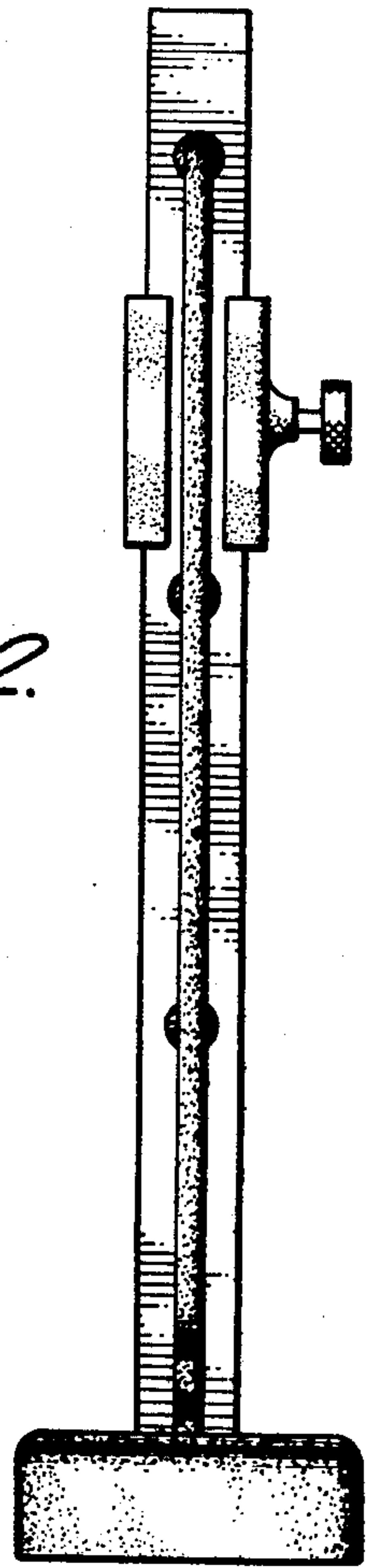


FIG. 3.

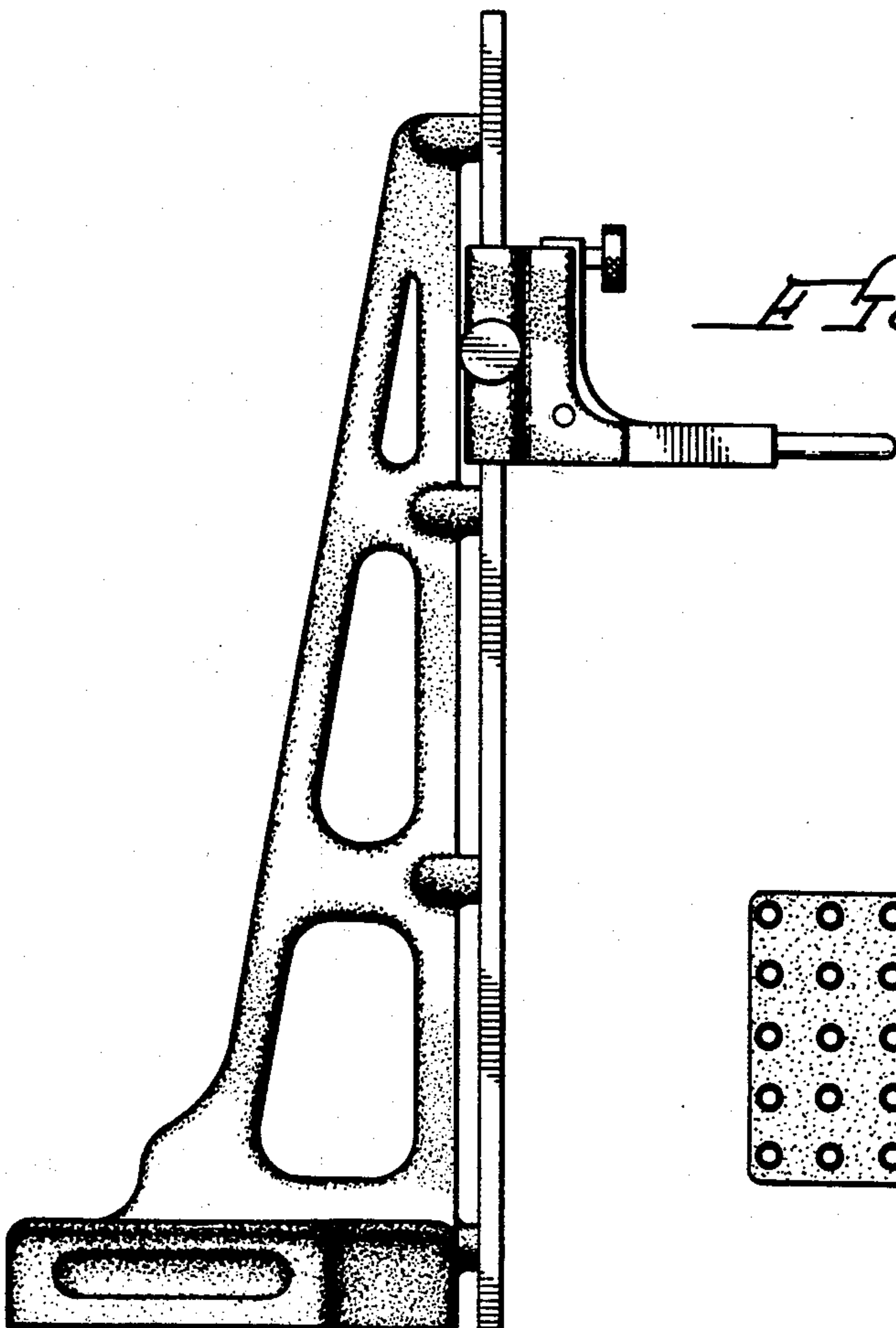


FIG. 4.

