

[54] COMBINED PRESSURE AND TEMPERATURE GAUGE UNIT

[75] Inventor: Koji Sugiyama, Shizuoka, Japan

[73] Assignee: Yazaki Sogyo Kabushiki Kaisha, Tokyo, Japan

[**] Term: 14 Years

[21] Appl. No.: 779,057

[22] Filed: Mar. 18, 1977

[30] Foreign Application Priority Data
Sep. 27, 1976 [JP] Japan 51-37827

[51] Int. Cl. D10-04

[52] U.S. Cl. D10/53; D10/102

[58] Field of Search D10/57, 85, 102 R, 103, D10/53, 75, 78, 94; 73/432 AD, 431; 116/116; D12/192

[56] References Cited
U.S. PATENT DOCUMENTS

D. 82,684	12/1930	MacGahan	D10/102 X
D. 156,094	11/1949	Hallard	D10/53
D. 195,783	7/1963	Woods	D10/53 X
D. 223,404	4/1972	Schwartz	D10/75
D. 240,512	7/1976	Erisman	D10/98
3,768,314	10/1973	Metzler	D10/102 X

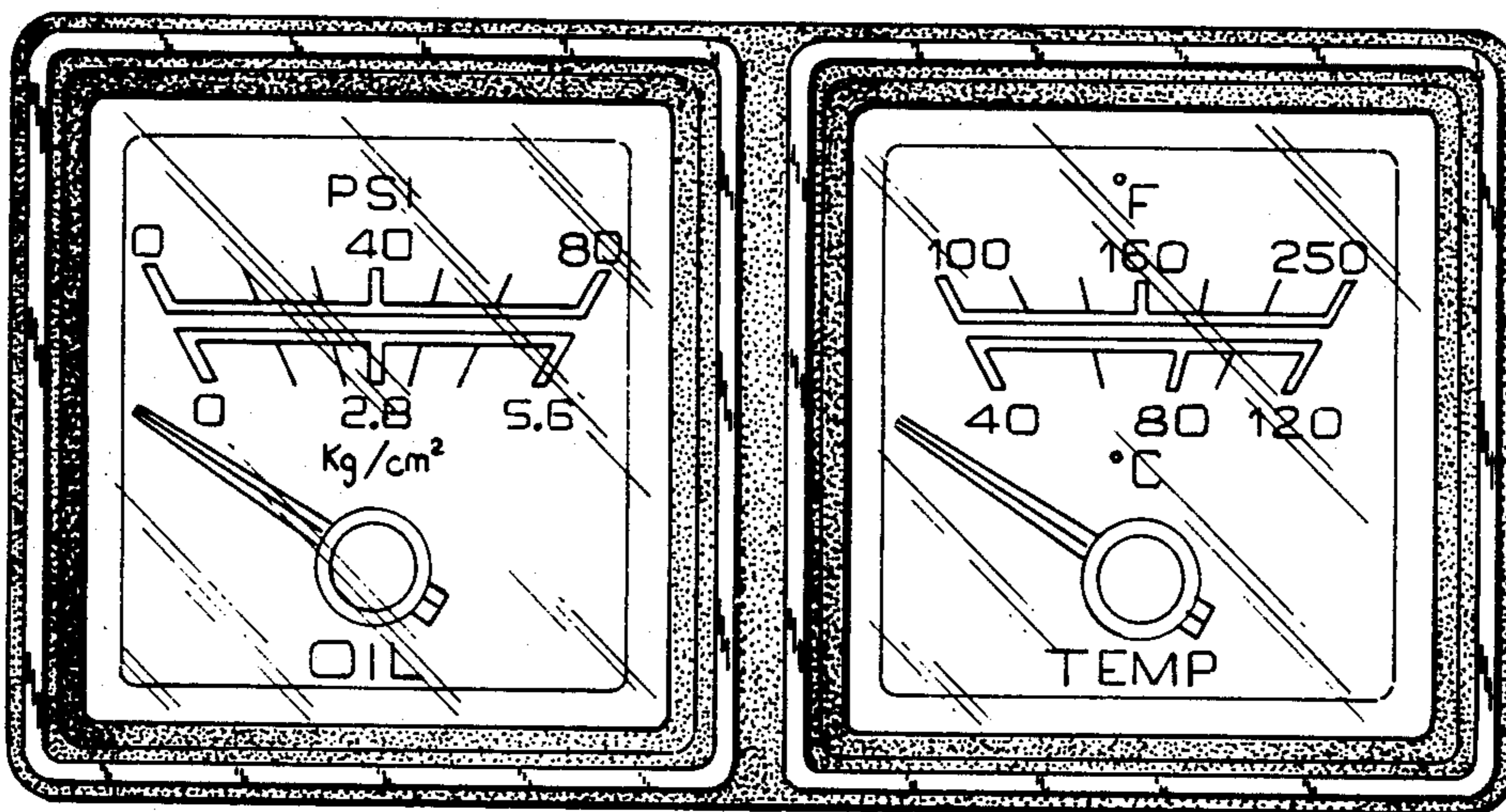
Primary Examiner—Nelson C. Holtje
Attorney, Agent, or Firm—Vern L. Oldham

[57] CLAIM

The ornamental design for a combined pressure and temperature gauge unit, as shown.

DESCRIPTION

FIG. 1 is a front elevation of the combined pressure and temperature gauge unit embodying my new design; FIG. 2 is a right side elevation of the meter of FIG. 1; FIG. 3 is a rear elevation of the combination meter of FIG. 1; FIG. 4 is a bottom plan of the combination meter of FIG. 1; FIG. 5 is a fragmentary sectional view taken on line 5-5 of FIG. 4.



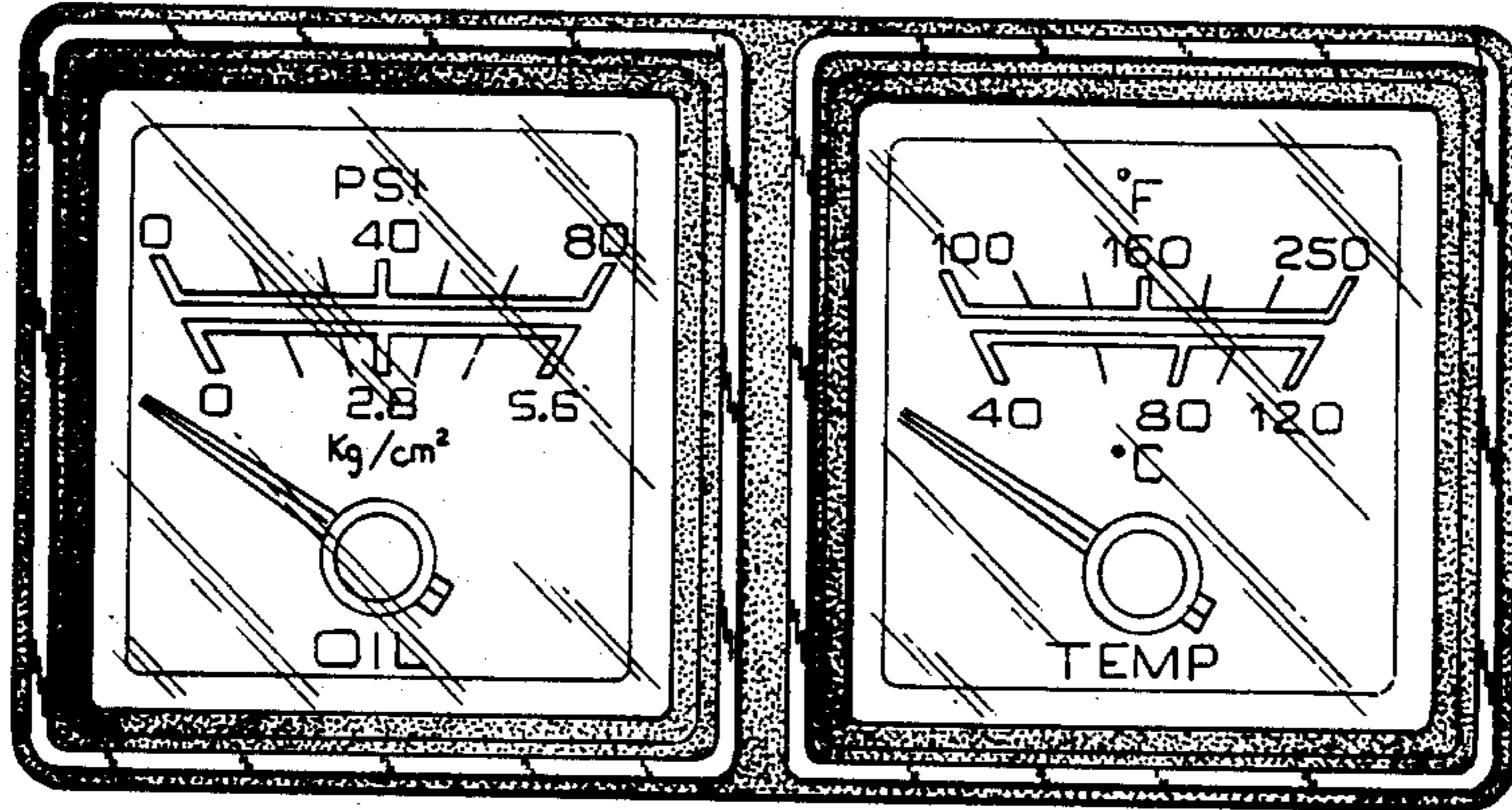


FIG - 1

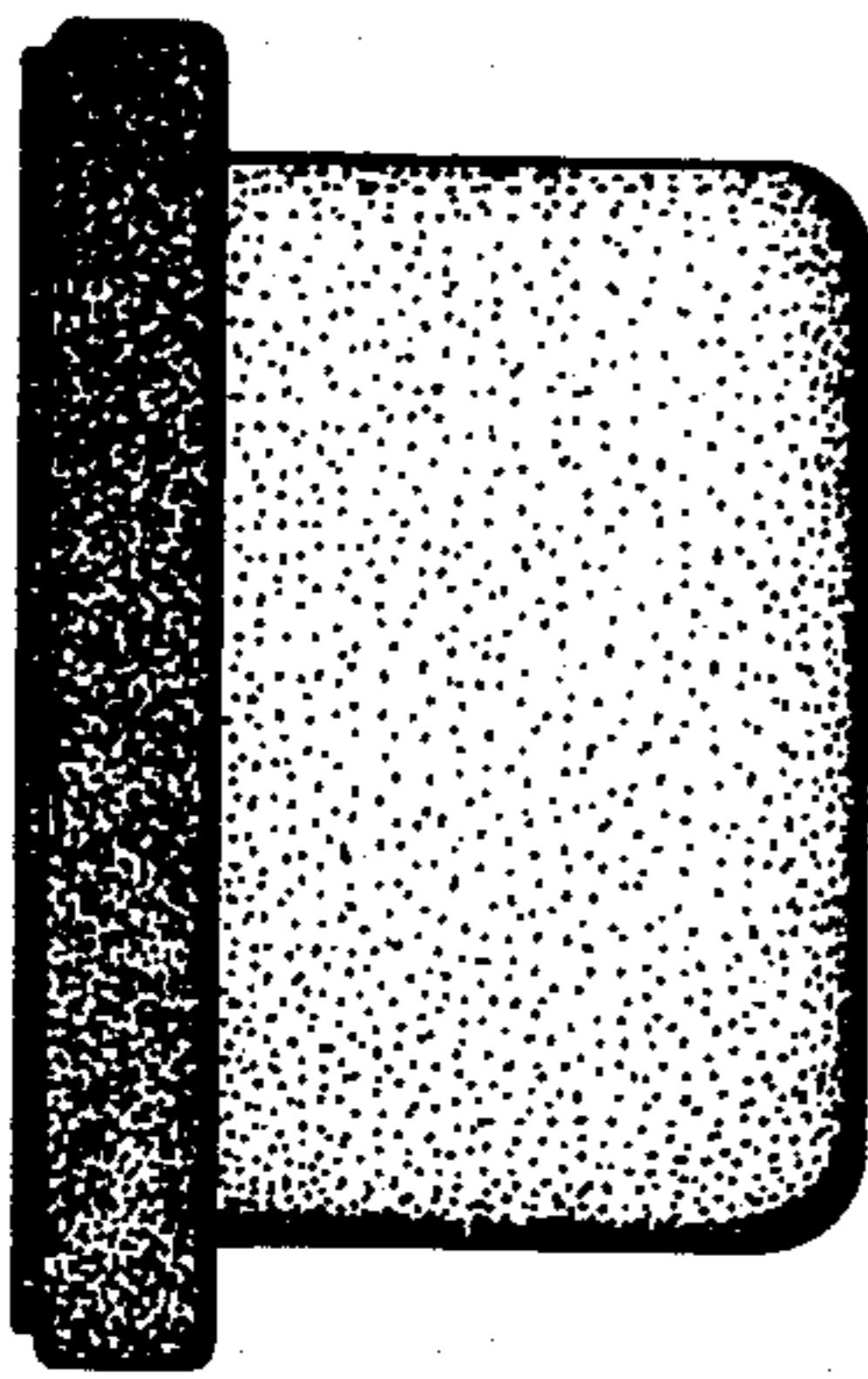


FIG - 2

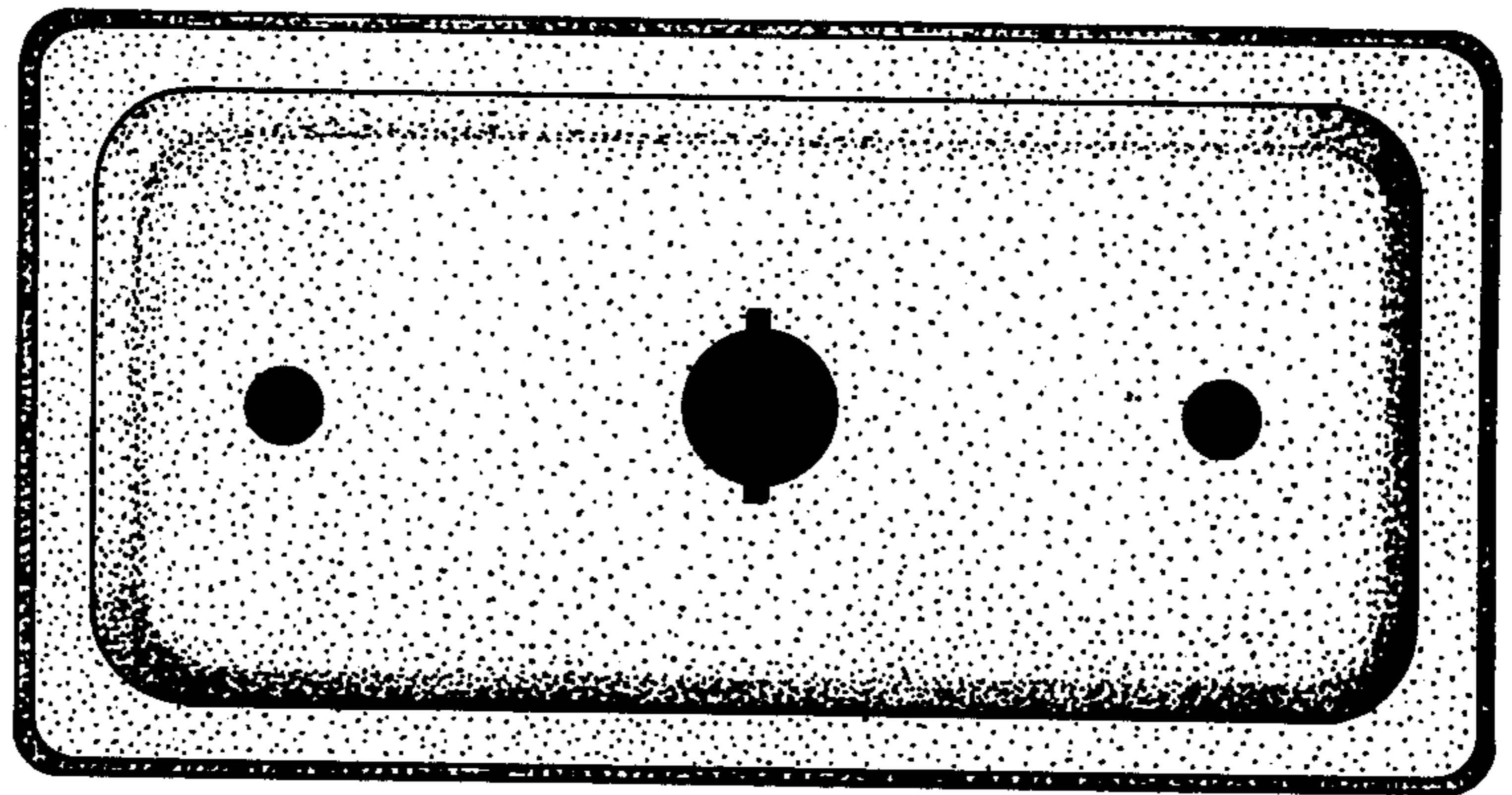


FIG - 3

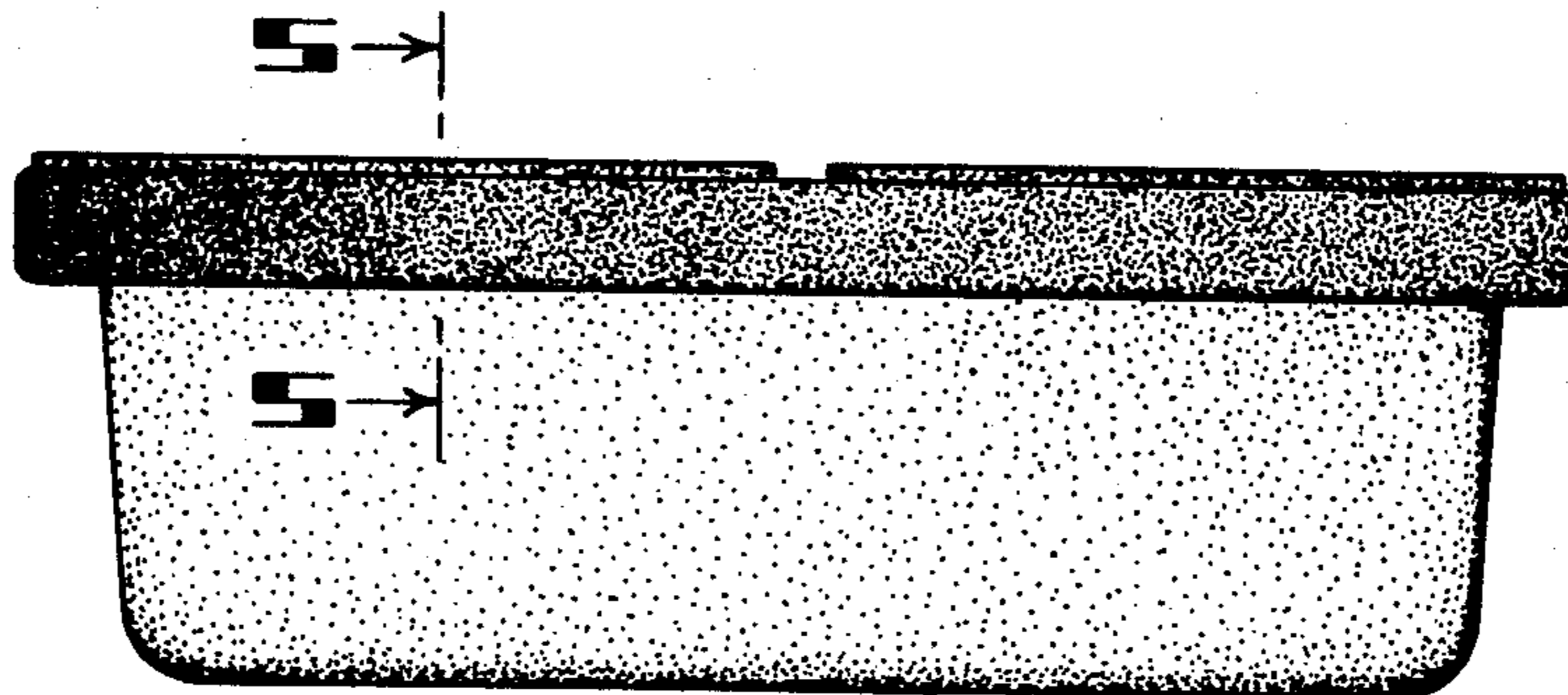


FIG 4

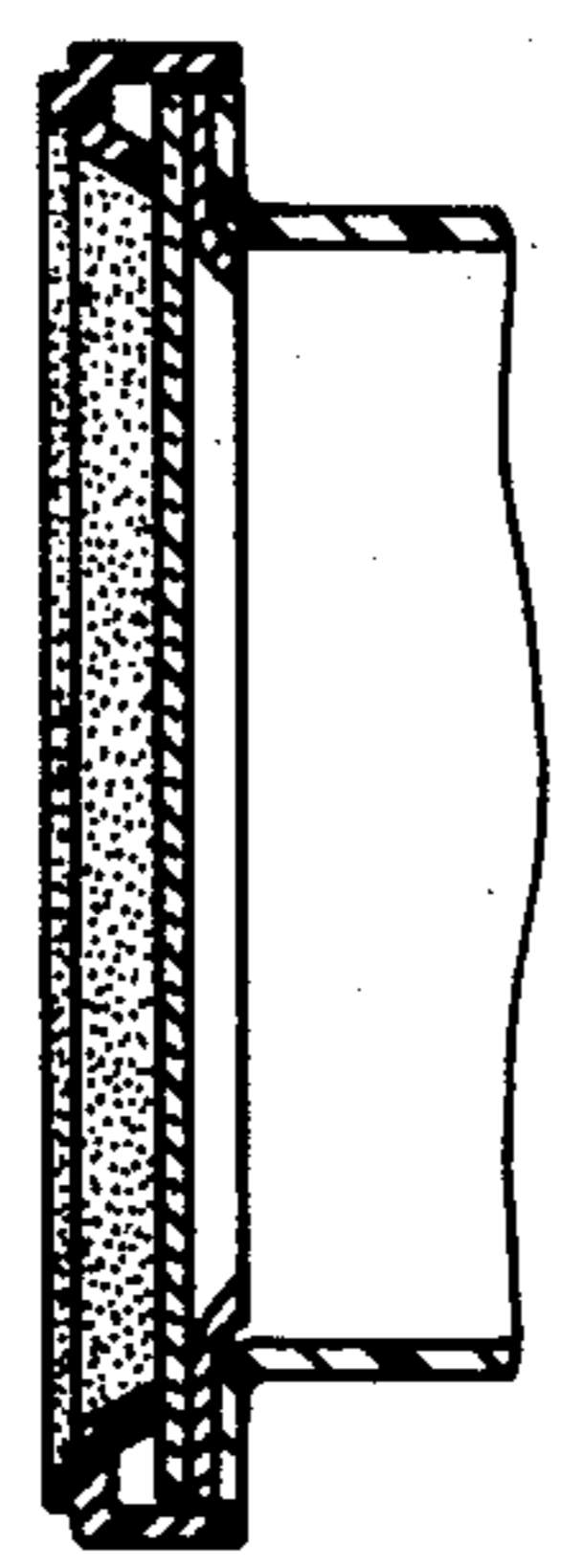


FIG - 5