

[54] **STACKABLE TRAY**

[75] **Inventor:** Richard S. Cherry, Don Mills,
Canada

[73] **Assignee:** Phillips Plastics of North America,
Inc., Toronto, Canada

[**] **Term:** 14 Years

[21] **Appl. No.:** 770,943

[22] **Filed:** Feb. 22, 1977

[30] **Foreign Application Priority Data**

Sep. 29, 1976 [CA] Canada 2909761

[51] **Int. Cl.** D9—03

[52] **U.S. Cl.** D9/219; D9/242;
D3/67

[58] **Field of Search** D9/177, 219, 242-243;
206/503-509; D87/1 R

[56]

References Cited

U.S. PATENT DOCUMENTS

| | | | |
|------------|--------|------------------------|-----------|
| D. 169,743 | 6/1953 | Fritz, Jr. et al. | D9/177 |
| D. 211,512 | 6/1968 | Gehl et al. | D9/177 |
| D. 224,366 | 7/1972 | Rehrig | D87/1 R |
| D. 229,948 | 1/1974 | Box | D87/1 R X |
| 2,609,120 | 9/1952 | Williams | 206/506 |

Primary Examiner—Robert C. Spangler

Attorney, Agent, or Firm—Robert L. Westell

[57]

CLAIM

The ornamental design for a stackable tray, as shown and described.

DESCRIPTION

FIG. 1 is a top perspective view of a stackable tray showing my new design;

FIG. 2 is a bottom perspective view thereof showing the side and end not seen in FIG. 1;

FIG. 3 is a side view in elevation thereof; and

FIG. 4 is an end view in elevation thereof.

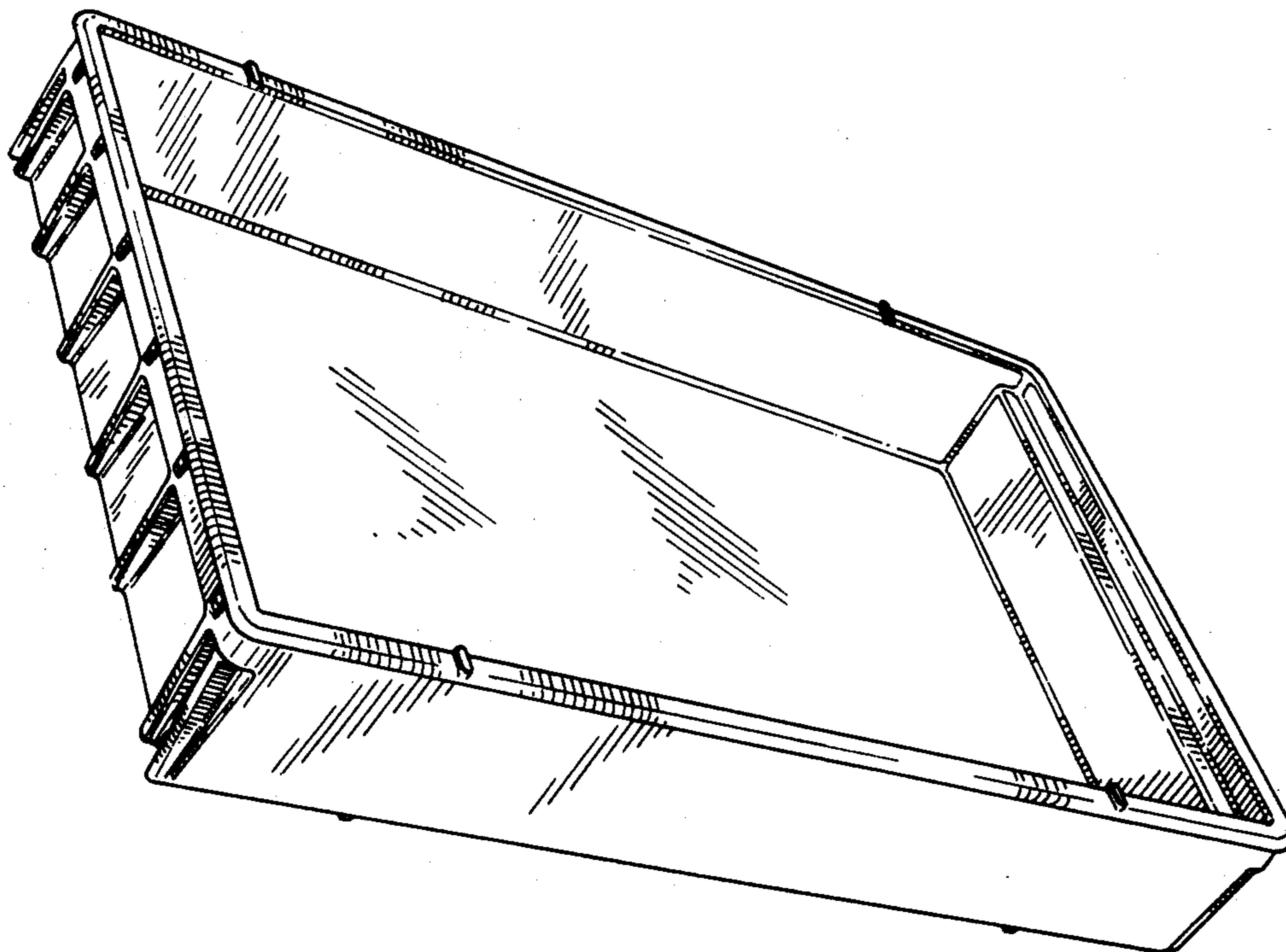


FIG.1

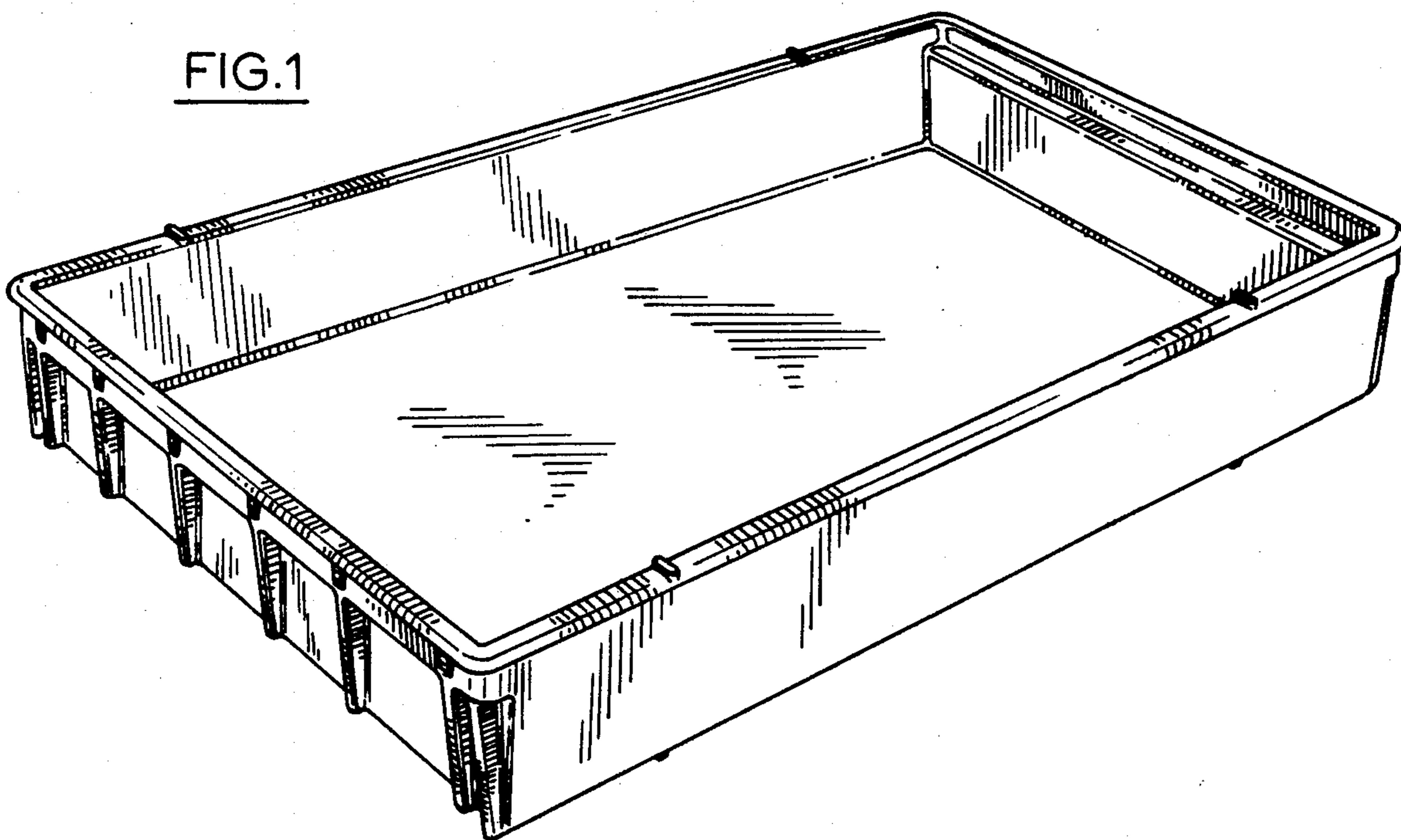
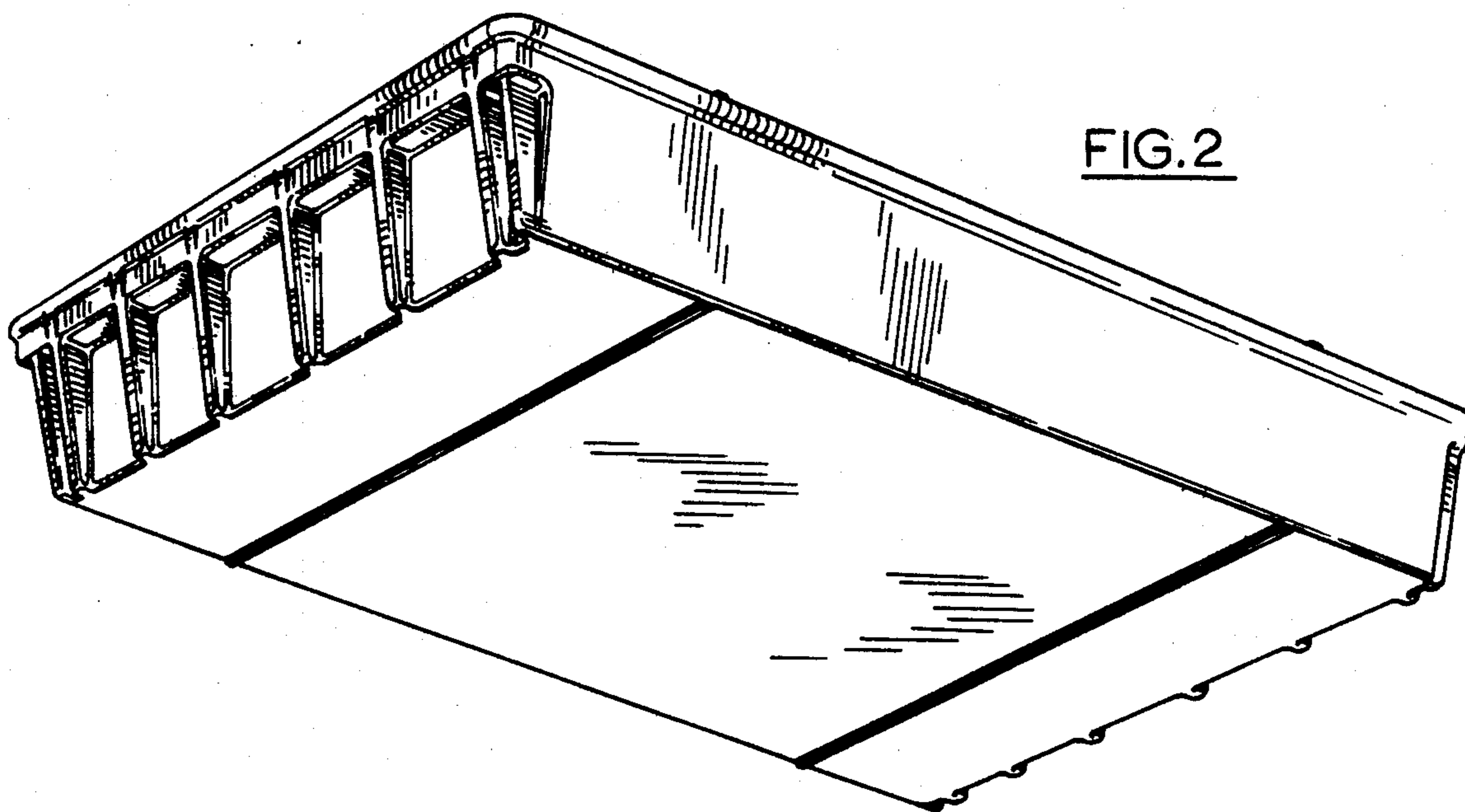


FIG.2



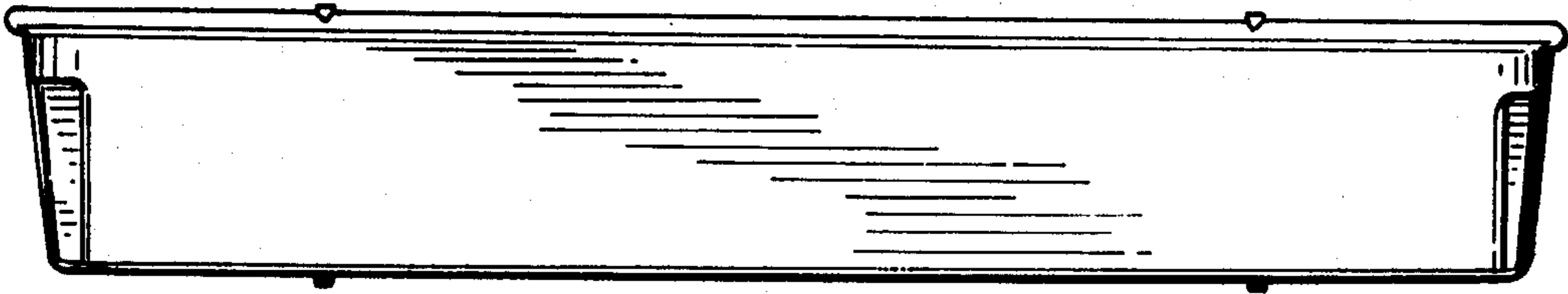


FIG. 3

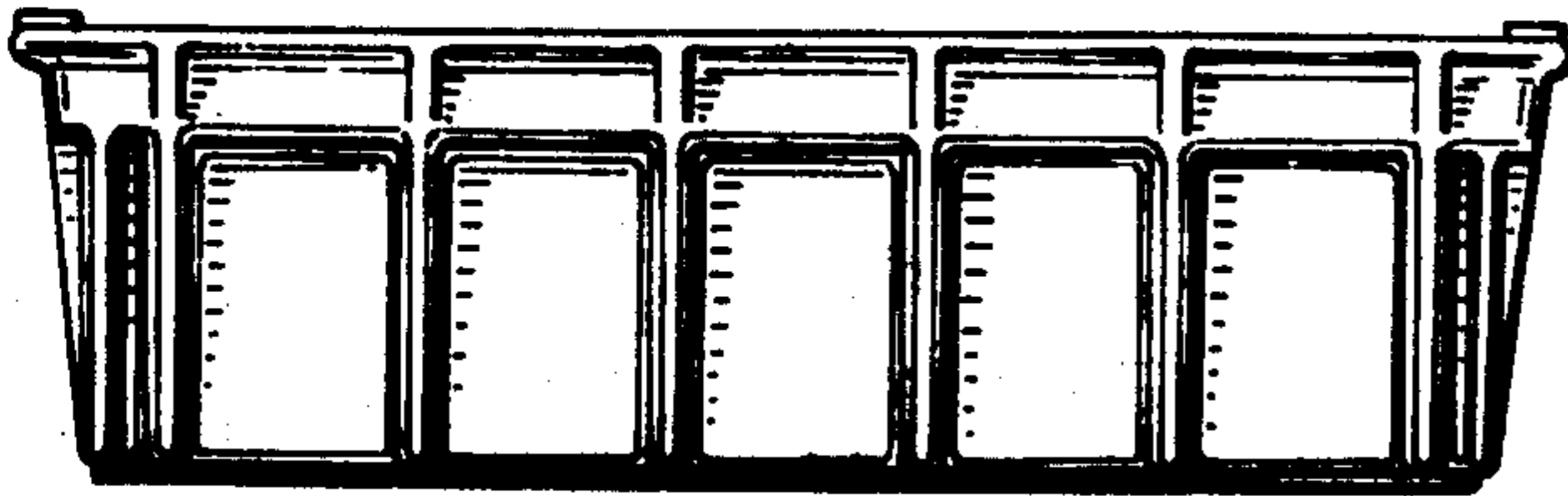


FIG. 4