

[54] SIFTER

[75] Inventors: Lawrence R. Hutzler, Long Beach, N.Y.; Falle Uldall, Nykøbing, Denmark

[73] Assignee: Hutzler Manufacturing Company, Inc., Canaan, Conn.

[\*\*] Term: 14 Years

[21] Appl. No.: 877,801

[22] Filed: Feb. 15, 1978

Related U.S. Application Data

[63] Continuation of Ser. No. 662,038, Feb. 27, 1976, abandoned.

[51] Int. Cl. .... D7-04

[52] U.S. Cl. .... D7/47

[58] Field of Search ..... D7/47, 9, 50, 59, 60, D7/61, 62, 63, 64, 65, 66, 67, 10, 189, 192; 222/565, 566, 572, 472, 473, 474, 465, 482, 485, 486, 478, 196, 199, 200, 409

[56] References Cited

U.S. PATENT DOCUMENTS

- D. 126,358 4/1941 Collier ..... D7/47
D. 160,726 10/1950 McCormick ..... D7/47

- D. 186,239 9/1959 Cronheim ..... D7/47
D. 215,169 9/1969 Stephenson ..... D7/65
971,875 10/1910 Andrews, Jr. .... 209/357
1,118,927 12/1914 Foster ..... 209/357
1,607,530 11/1926 Guest ..... 222/473
2,326,762 8/1943 Collier ..... 209/357
2,592,850 4/1952 Barbery ..... 209/357
2,803,375 8/1957 Meshberg ..... 220/94 R
3,332,540 7/1967 Browning ..... D7/9 X
3,415,376 12/1968 Smith et al. .... 209/236
3,627,128 12/1971 Ostrowsky ..... 209/236

FOREIGN PATENT DOCUMENTS

- 1419903 10/1965 France.
430048 6/1935 United Kingdom.

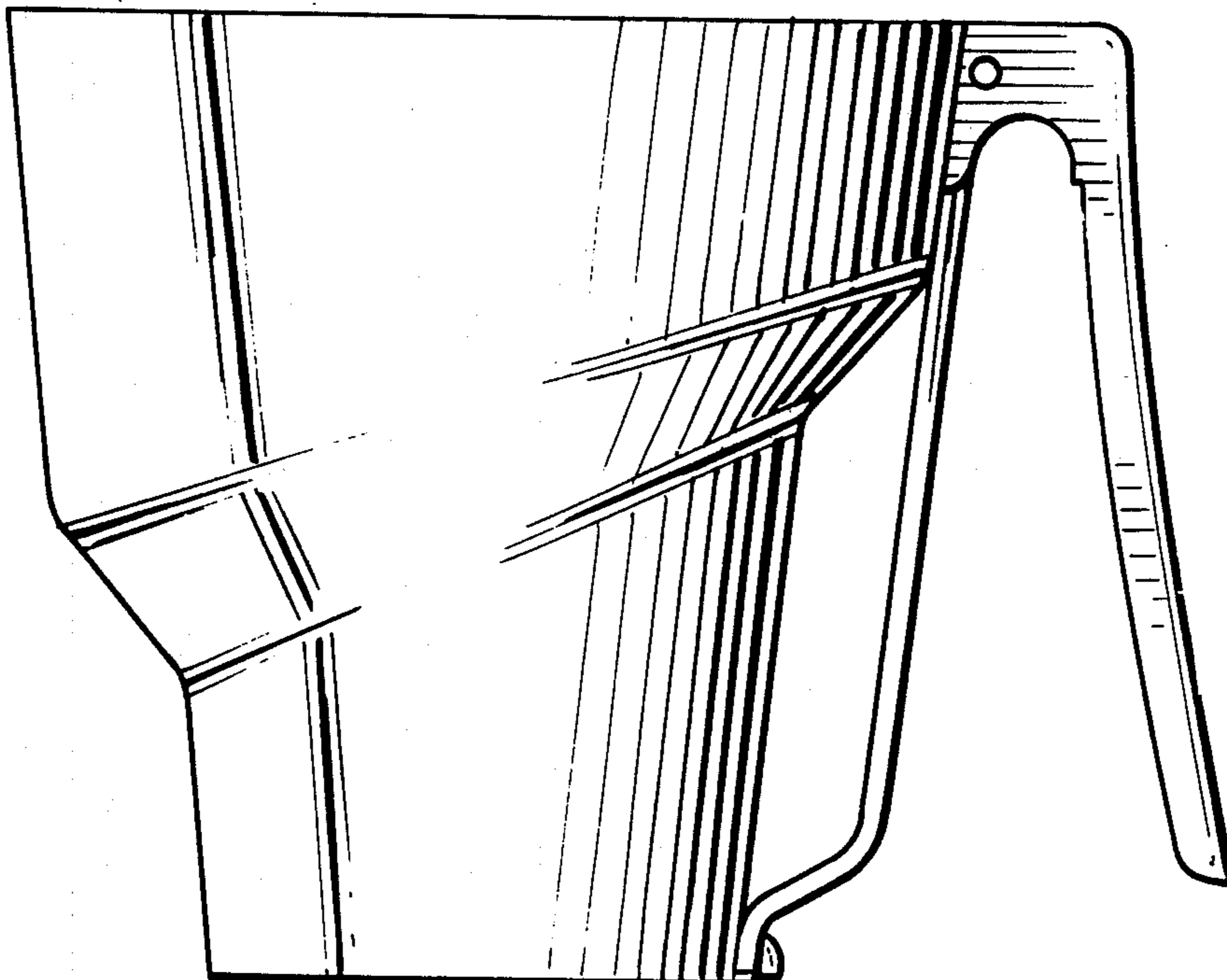
Primary Examiner—Winifred E. Herrmann
Attorney, Agent, or Firm—Joseph M. Fitzpatrick

[57] CLAIM

The ornamental design for a sifter, as shown and described.

DESCRIPTION

FIG. 1 is side elevational view of a sifter showing our new design;
FIG. 2 is a top plan view thereof;
FIG. 3 is a bottom plan view thereof;
FIG. 4 is a rear elevation view thereof;
FIG. 5 is a front elevation view thereof; and
FIG. 6 is a perspective view thereof.



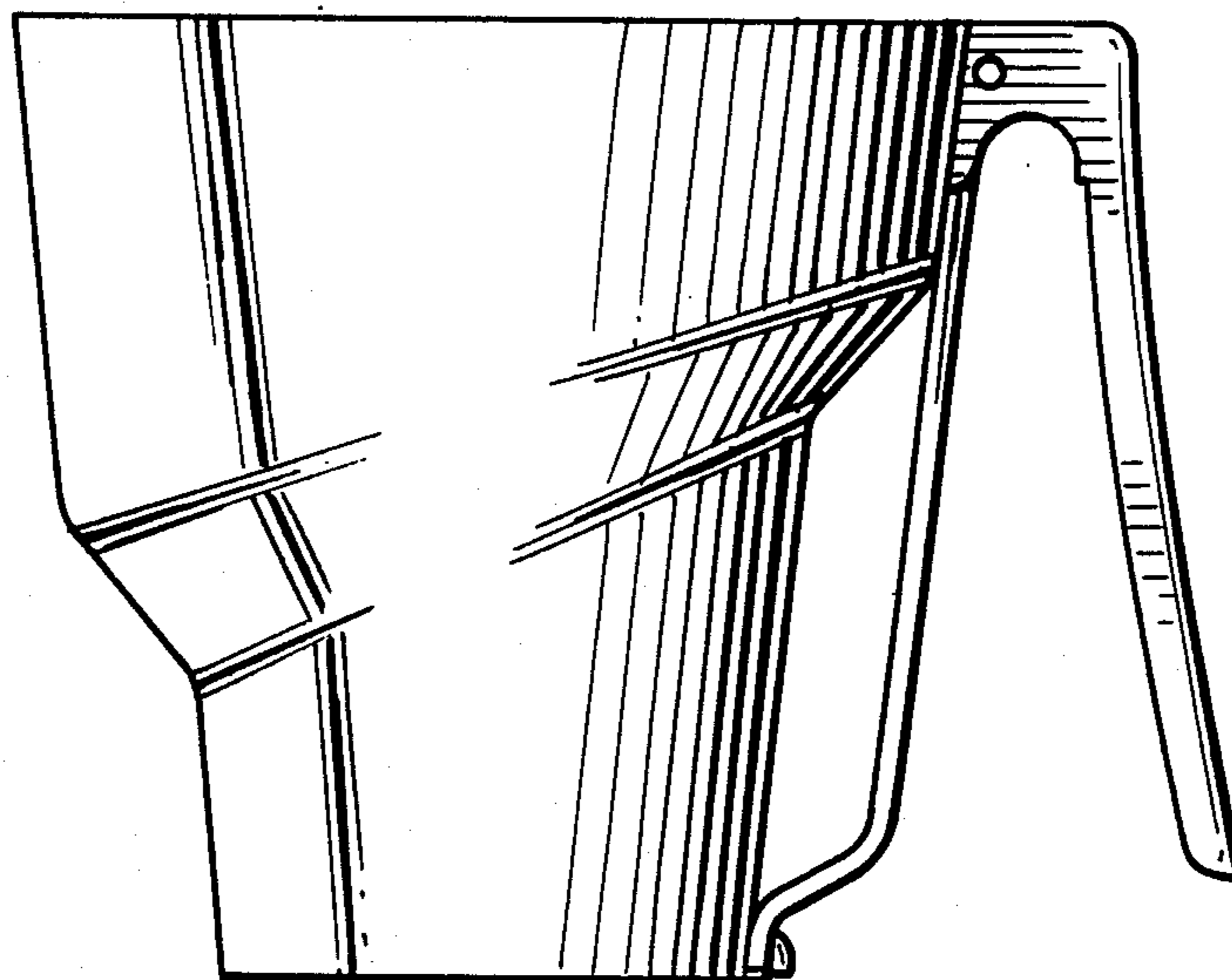


Fig. 1.

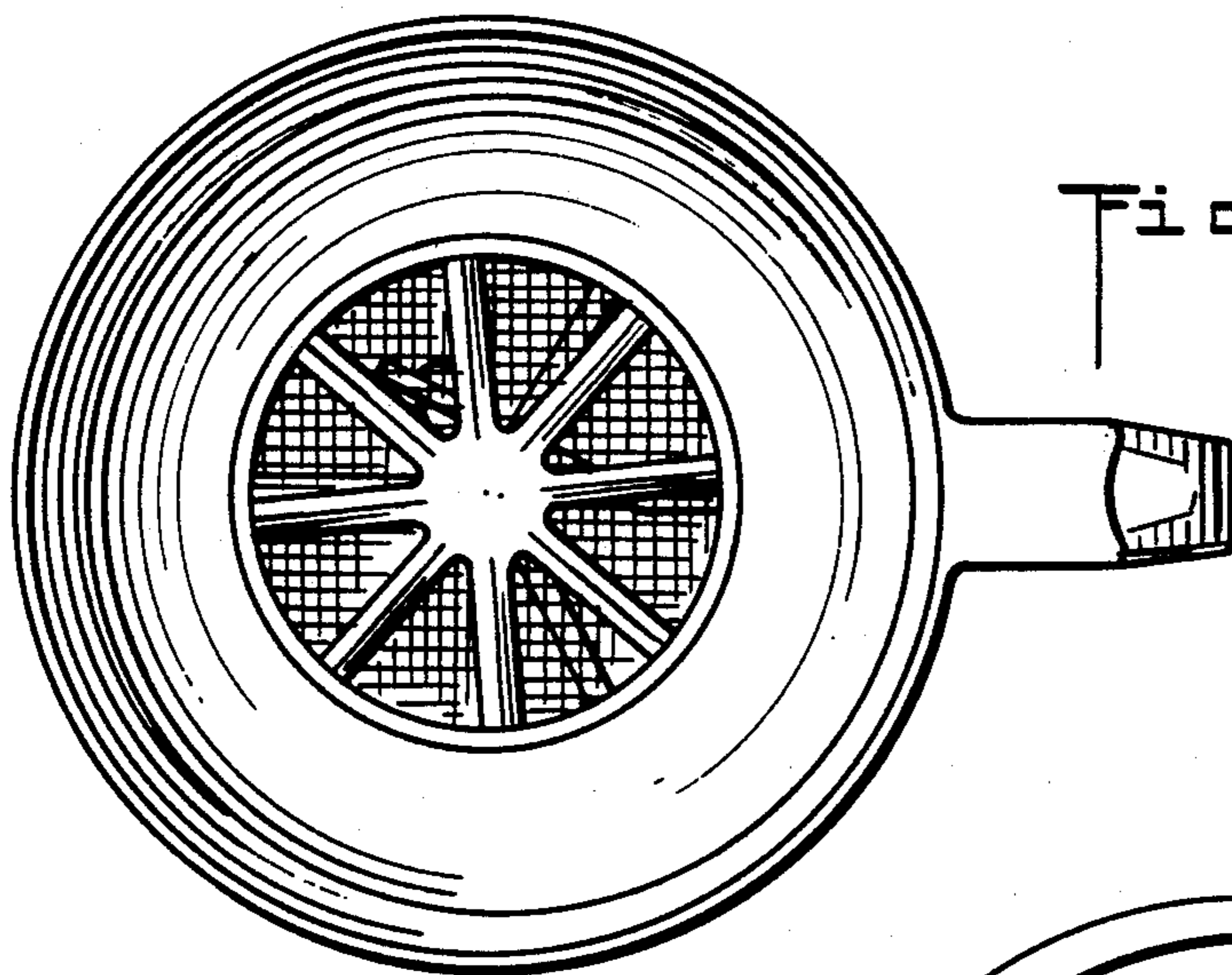
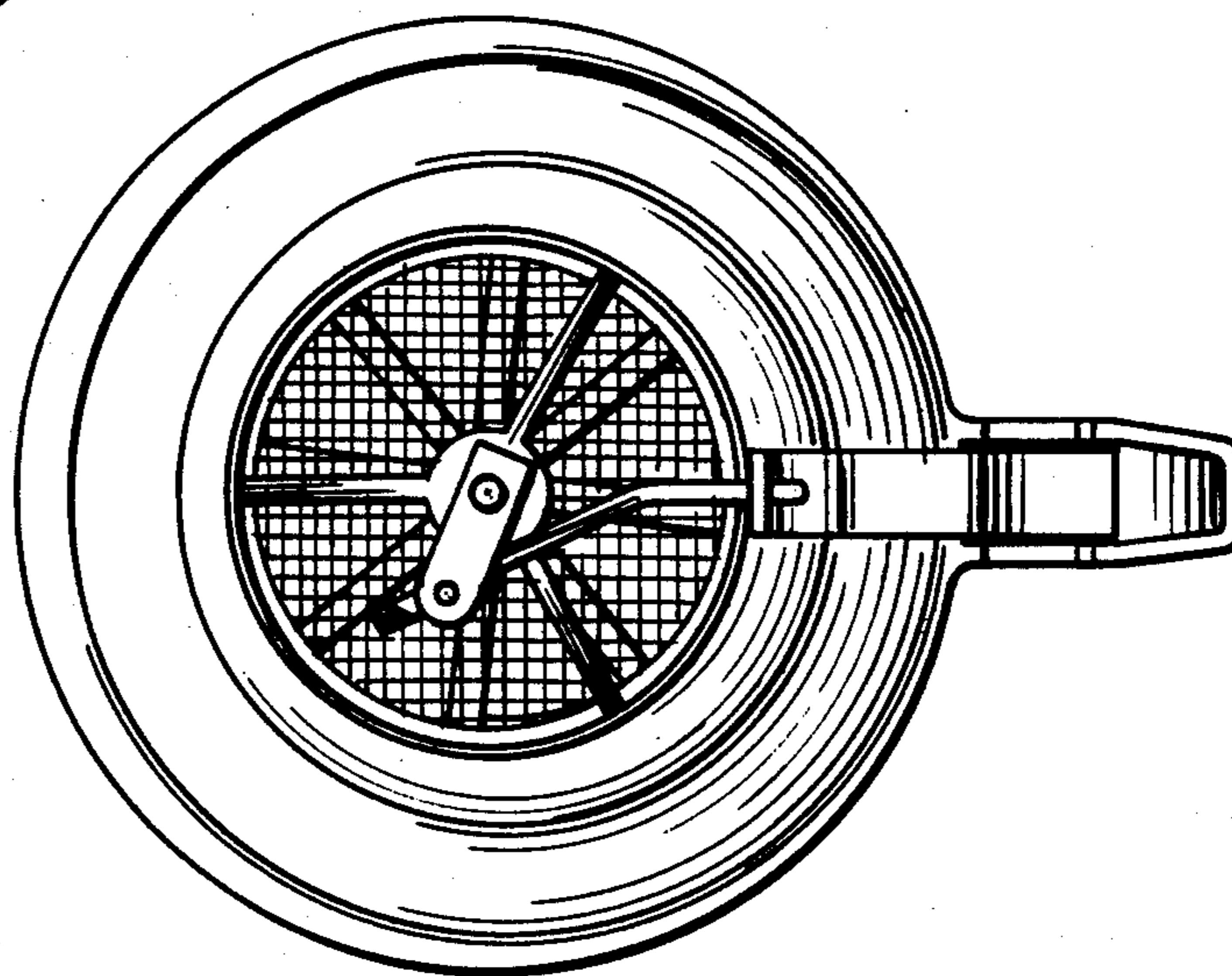


Fig. 2.

Fig. 3.



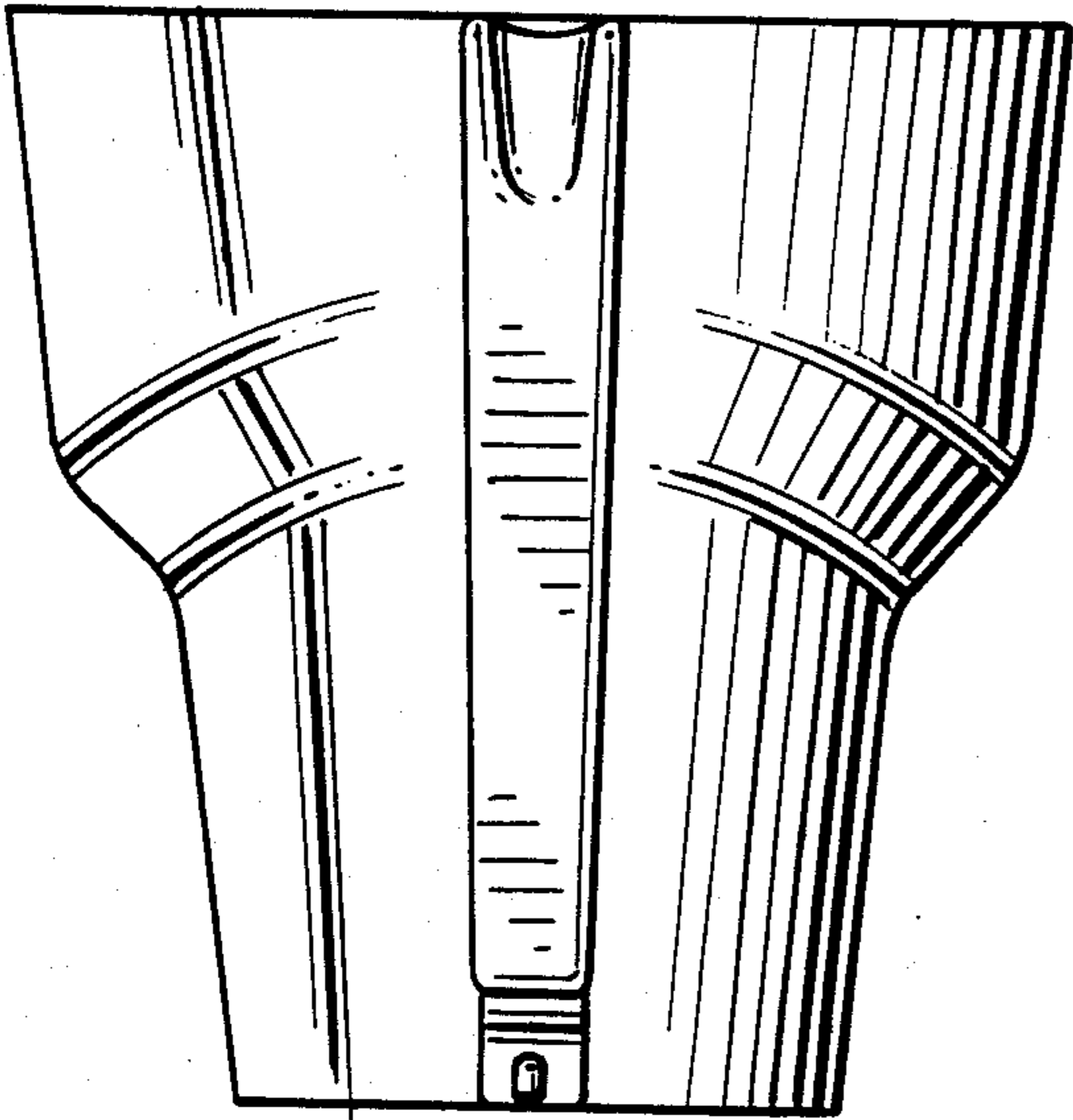


Fig. 4.

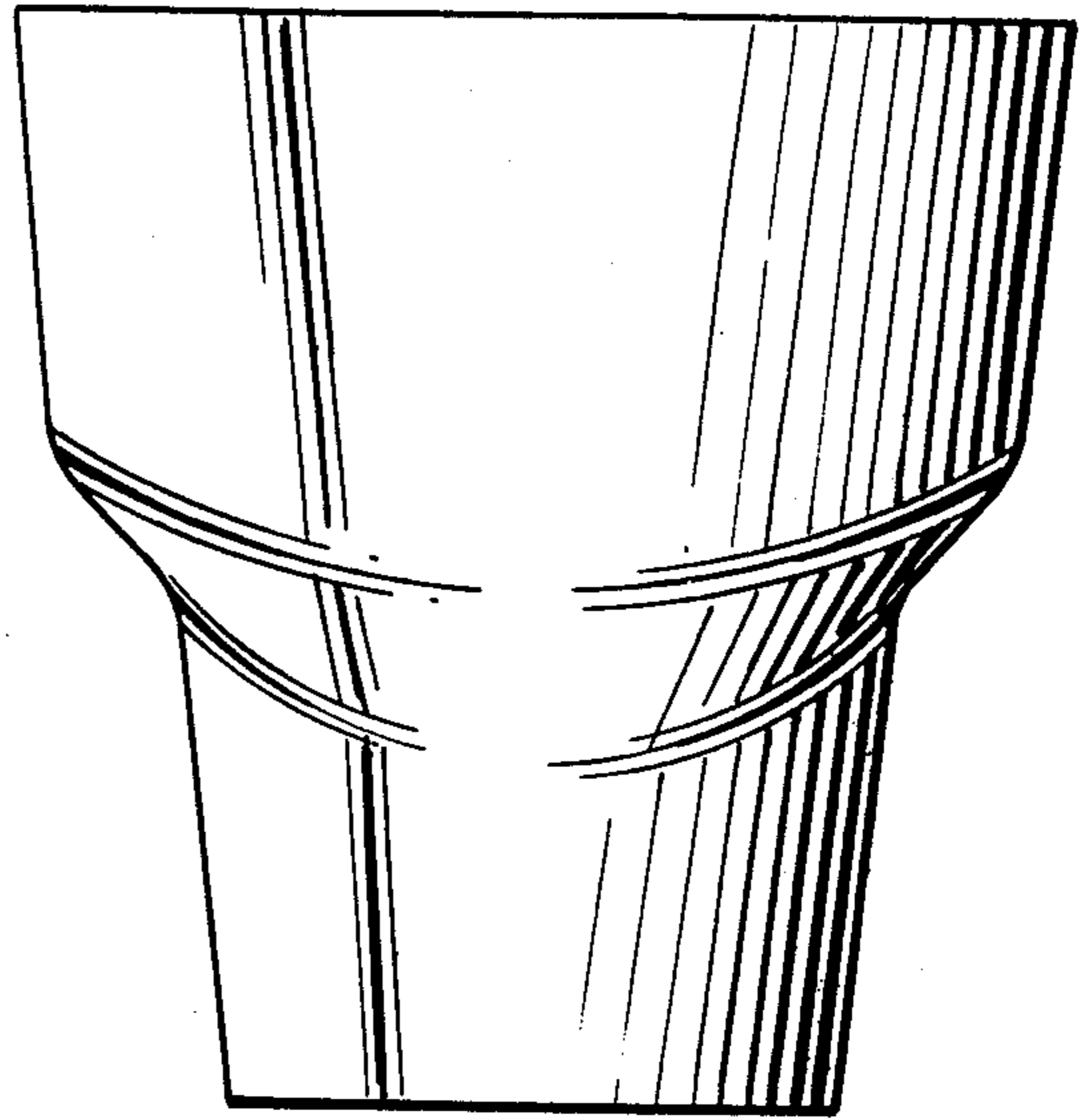


Fig. 5.

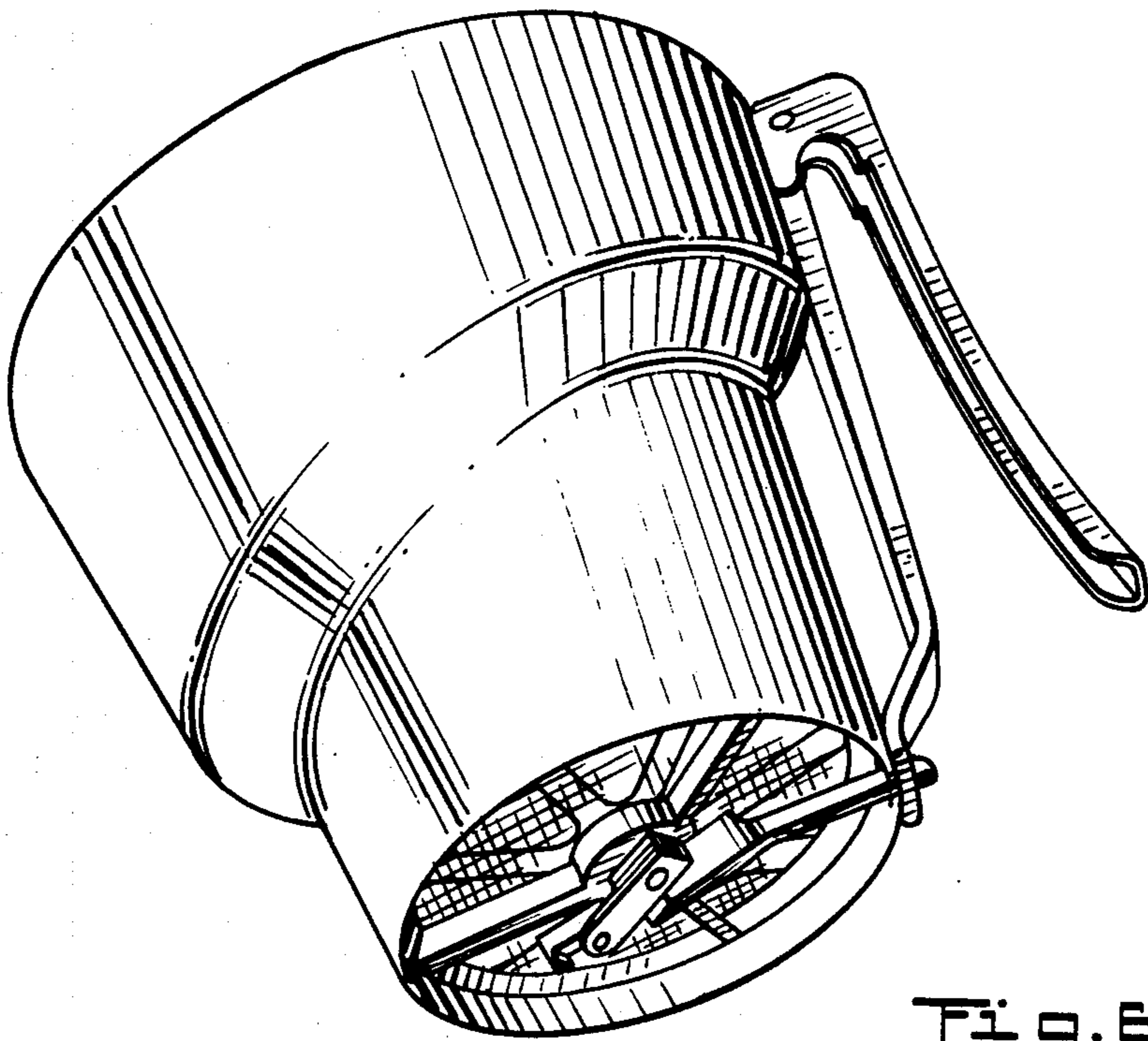


Fig. 6.