

[54] CLOTHING HOOK FOR CHAIN LINK FENCES

[76] Inventor: Thomas M. Cangelosi, 85-84 66th Ave., Rego Park, N.Y. 11374

[**] Term: 14 Years

[21] Appl. No.: 800,961

[22] Filed: May 26, 1977

[51] Int. Cl. D8-08

[52] U.S. Cl. D6/122; D6/247; D8/370; D8/373

[58] Field of Search D6/120, 122, 247, 257; D8/370, 372, 373; 223/DIG. 4; 224/45 P, 45 T; 24/230.5 R, 3 R, 3 D, 3 E; 248/303, 304

[56] References Cited

U.S. PATENT DOCUMENTS

D. 193,394 8/1962 Cummiskey D6/122

D. 199,007	8/1964	Eklind	D8/372
D. 222,604	11/1971	Borten	D8/372
448,224	3/1891	Glover	248/303
3,799,416	3/1974	Schmaltz	224/45 T
3,804,310	4/1974	Wheeler	224/45 T

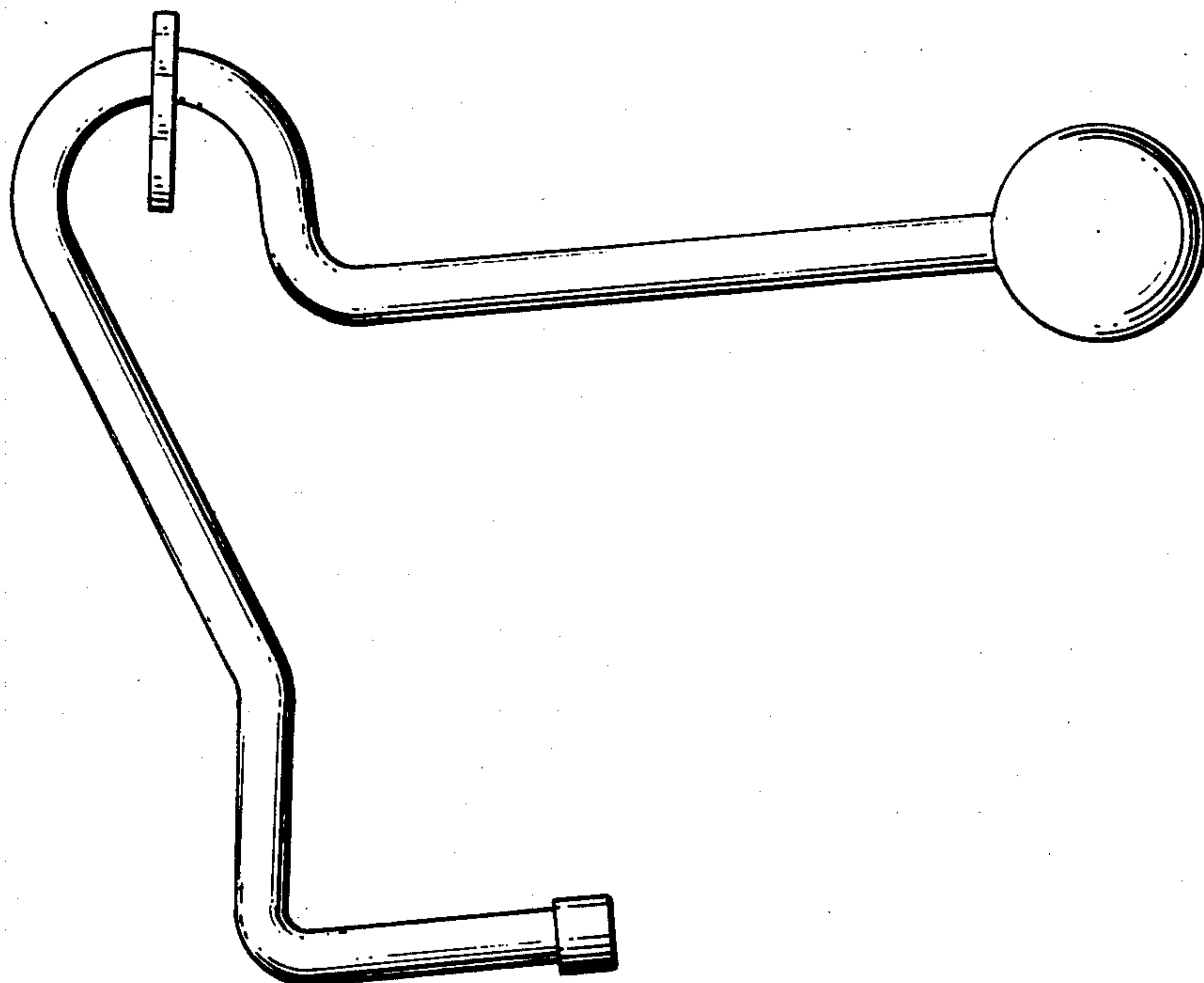
Primary Examiner—Wallace R. Burke
Assistant Examiner—B. J. Bullock
Attorney, Agent, or Firm—Albert F. Kronman

[57] CLAIM

The ornamental design for a clothing hook for chain link fences, substantially as shown.

DESCRIPTION

FIG. 1 is a view in side elevation of a clothing hook for chain link fences, showing my new design, FIG. 2 is a top plan view thereof, FIG. 3 is a bottom plan view thereof, FIG. 4 is a rear elevational view thereof, FIG. 5 is a front elevational view thereof.



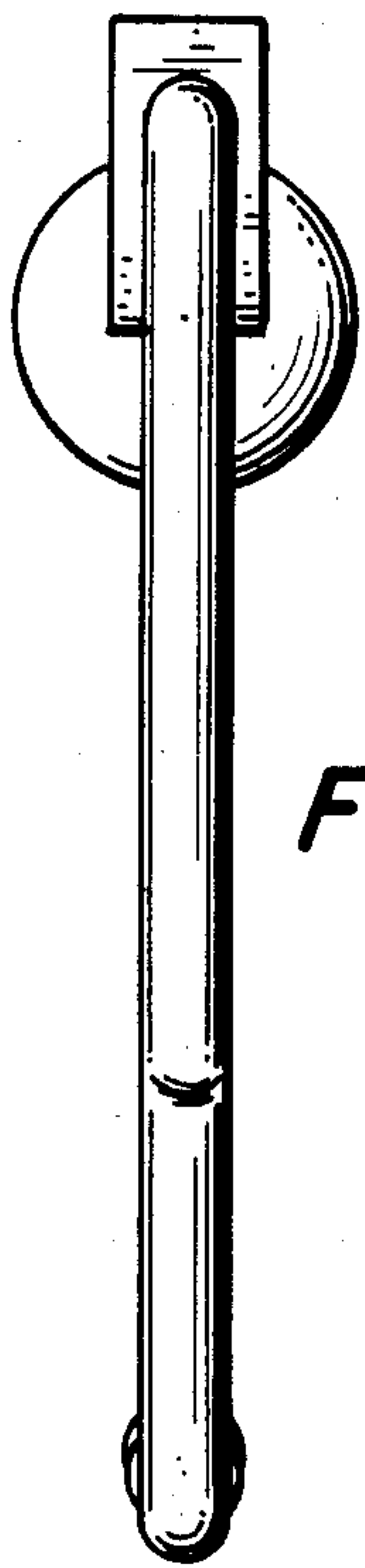


FIG. 4

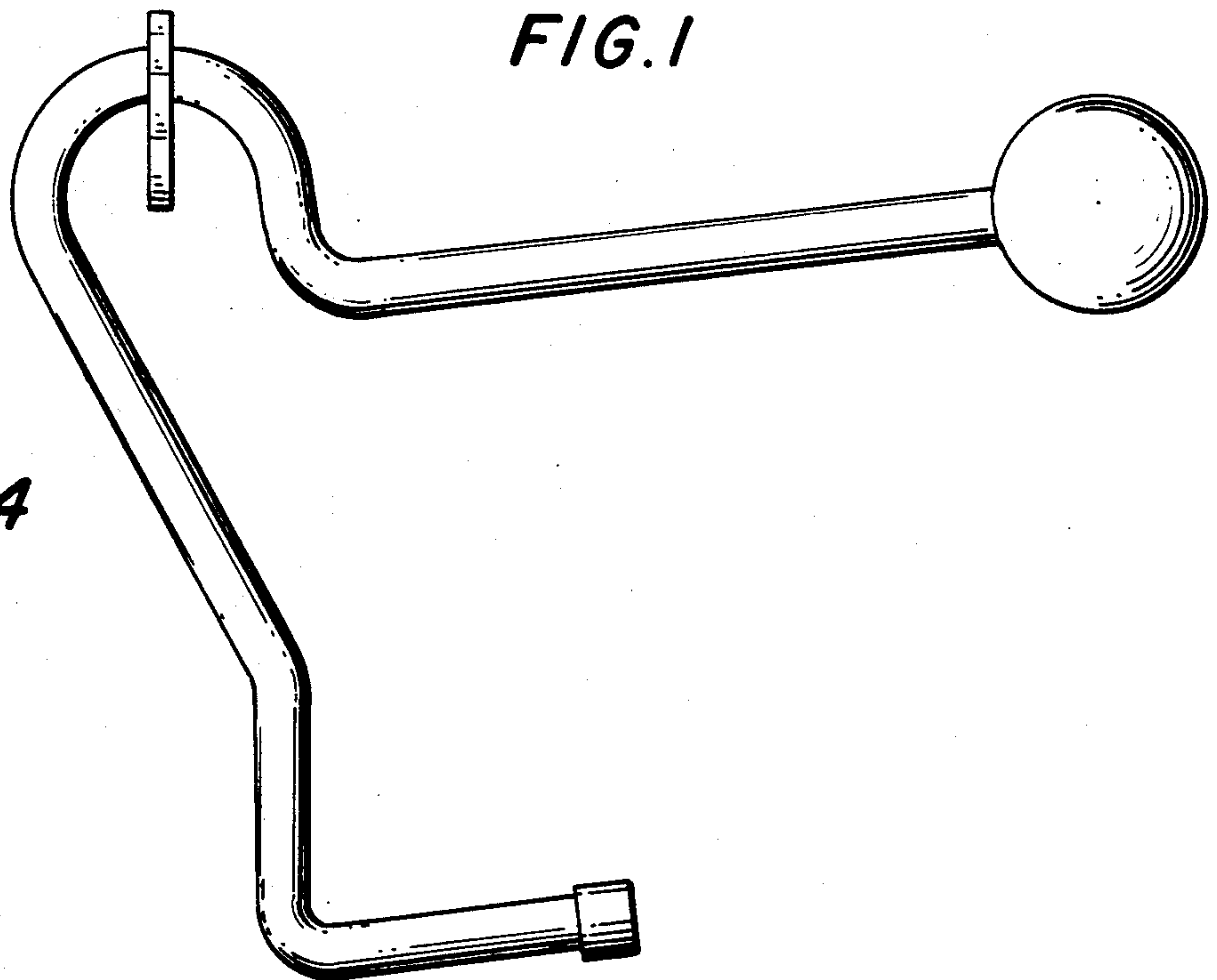


FIG. 1

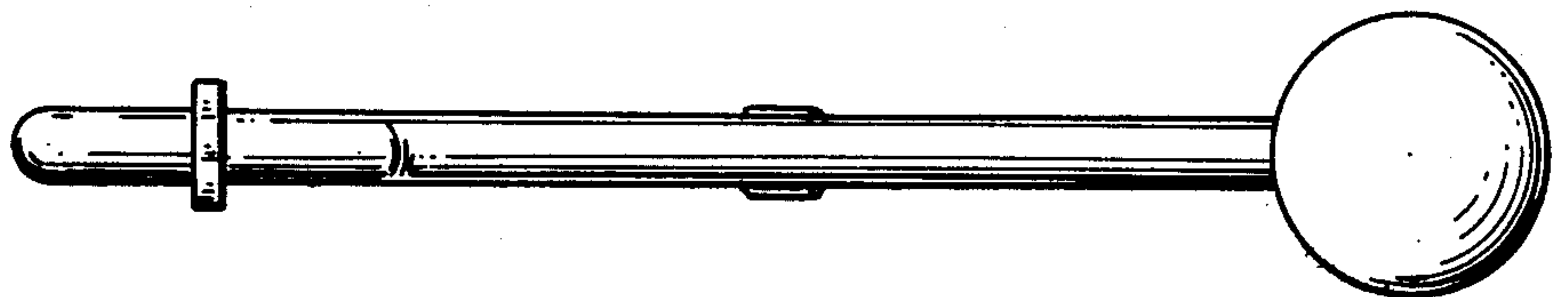


FIG. 2

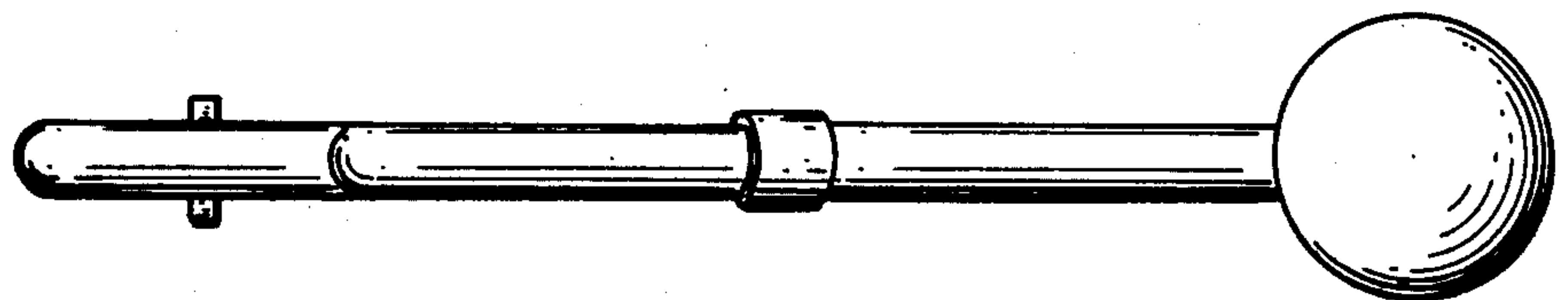


FIG. 3

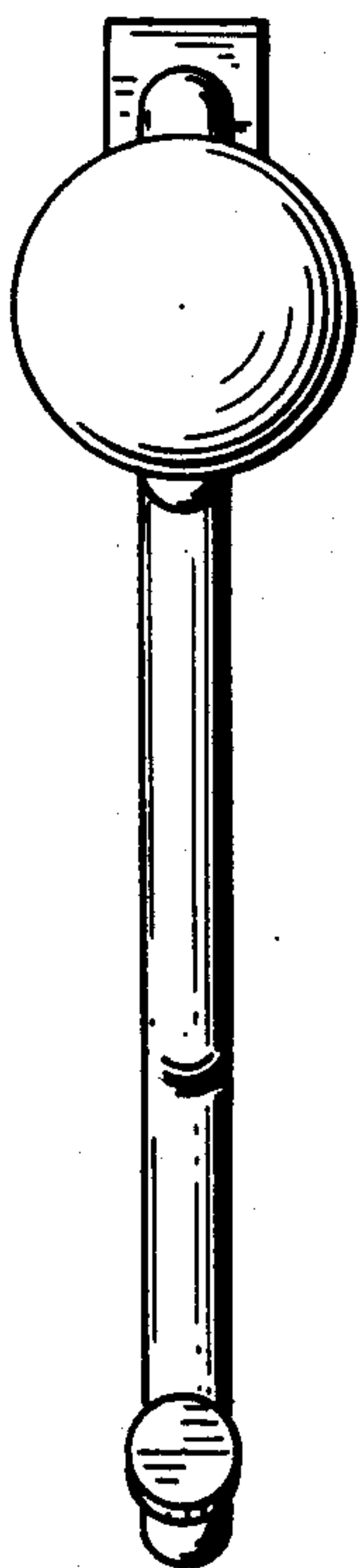


FIG. 5