

[54] SPUR PAD

[76] Inventor: Albert E. Tatro, P.O. Box 191,  
Weott, Calif. 95571

[\*\*] Term: 14 Years

[21] Appl. No.: 802,791

[22] Filed: Jun. 2, 1977

[51] Int. Cl. .... D2-99

[52] U.S. Cl. .... D2/27

[58] Field of Search ..... D2/27, 317, 314; 2/2 R,  
2/22; 36/70 R, 71, 72, 74, 132, 2 B; 182/221,  
134; 224/5 P

[56] References Cited

U.S. PATENT DOCUMENTS

1,505,360 8/1924 Lowery ..... 182/134

1,727,237	9/1929	Katz .....	182/221
1,789,332	1/1931	Buckingham .....	D2/317 X
2,262,394	11/1941	Evans .....	182/221 X
3,268,912	8/1966	Whelan .....	D2/27 X

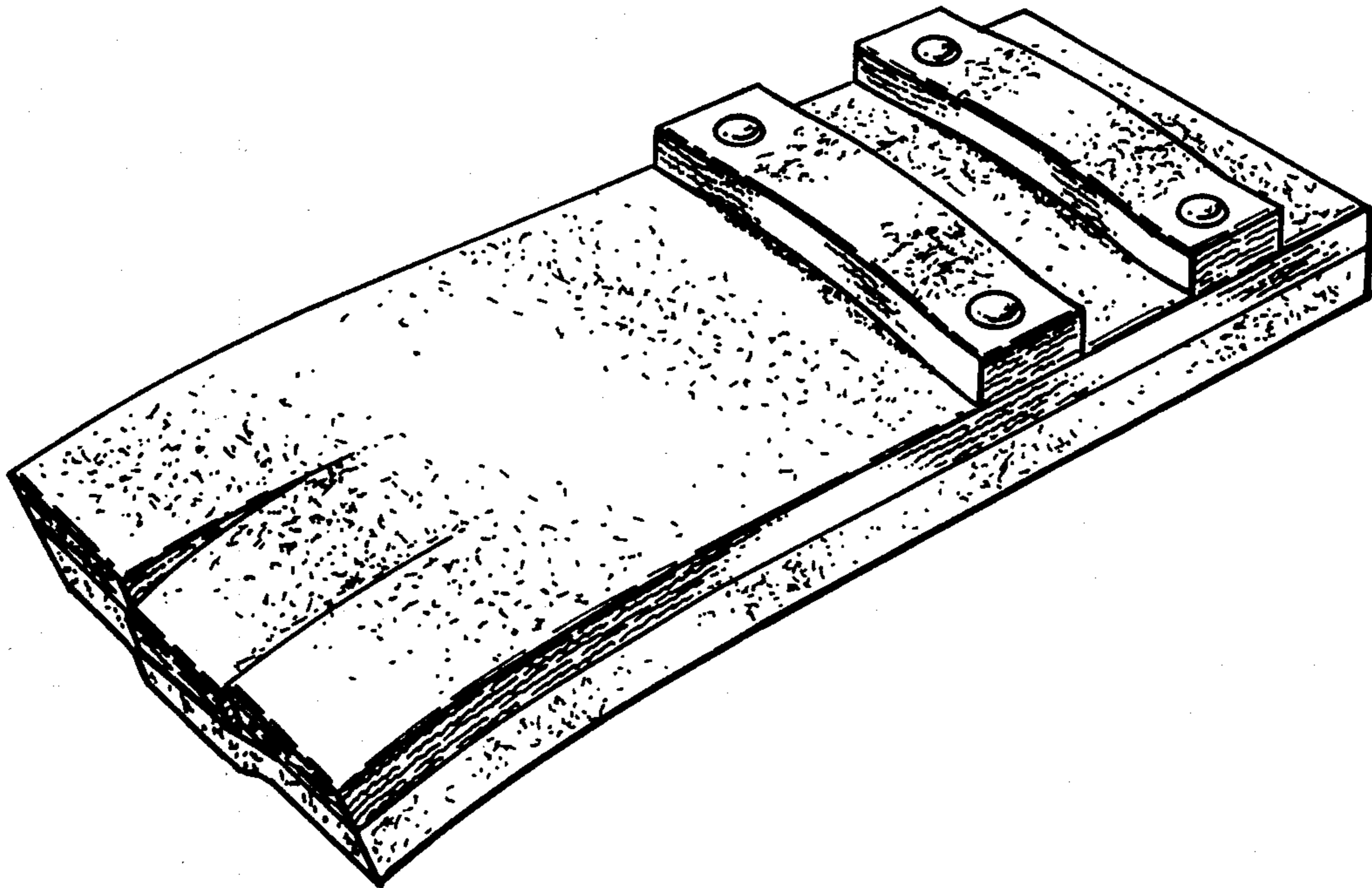
Primary Examiner—Nelson C. Holtje  
Attorney, Agent, or Firm—Claude A. S. Hamrick

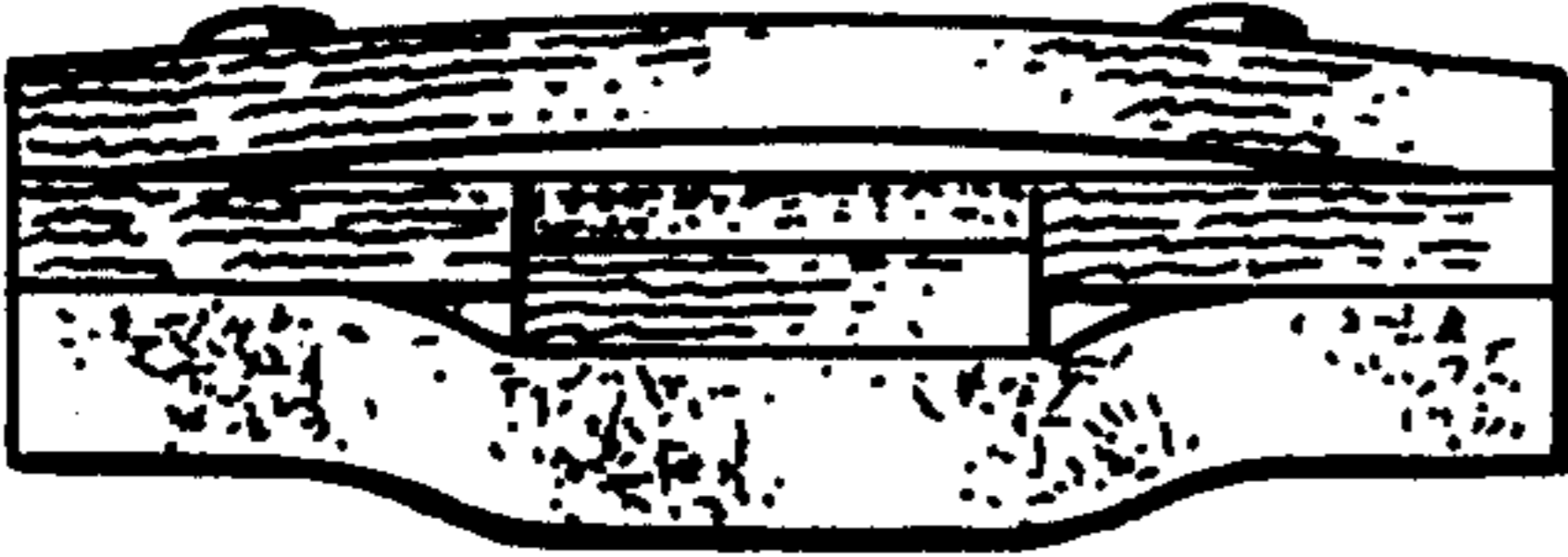
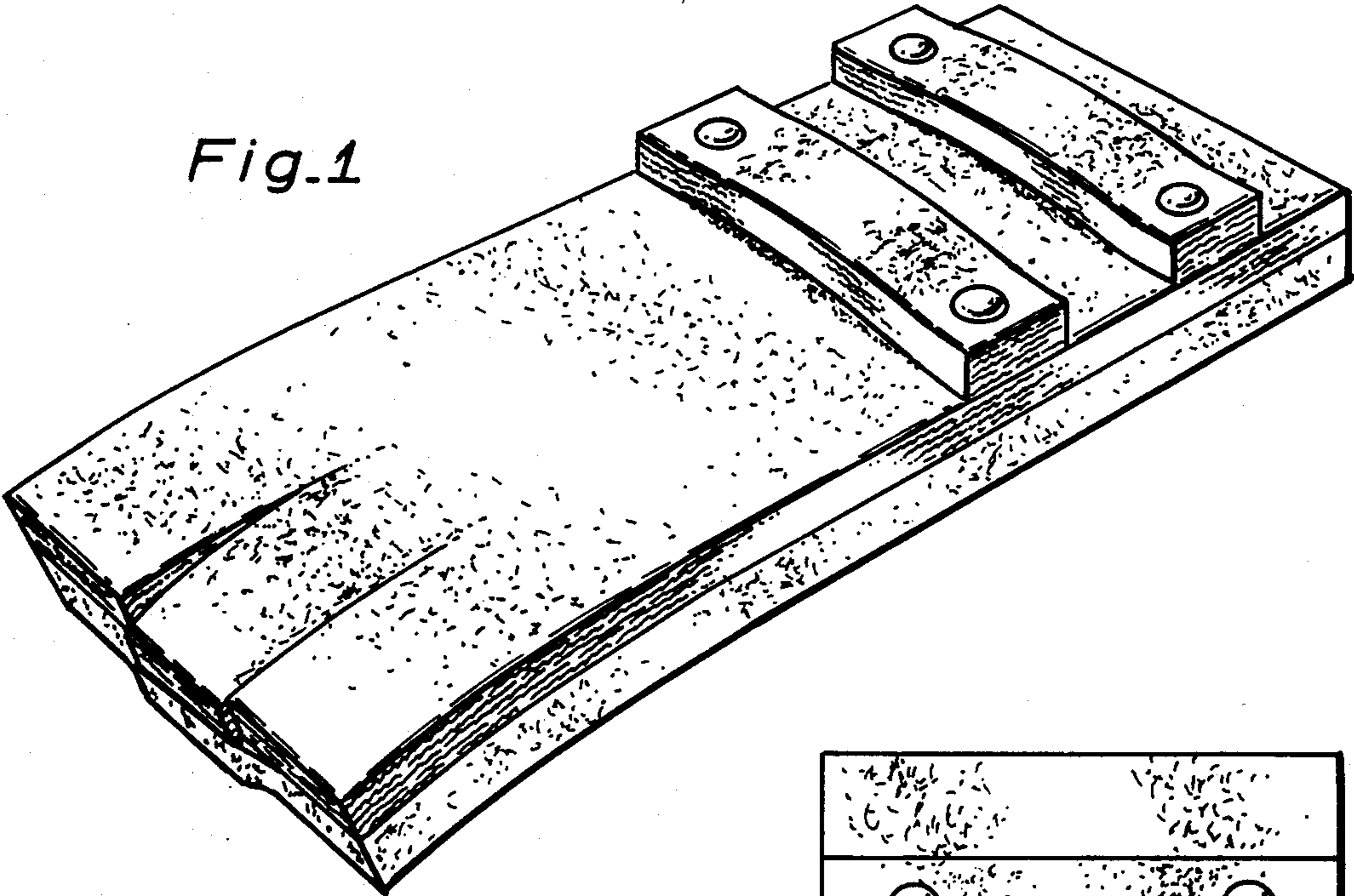
[57] CLAIM

The ornamental design for a spur pad, substantially as shown and described.

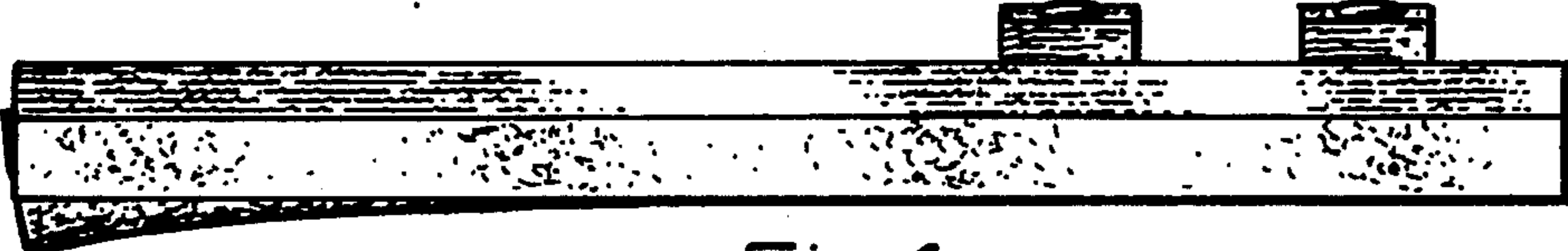
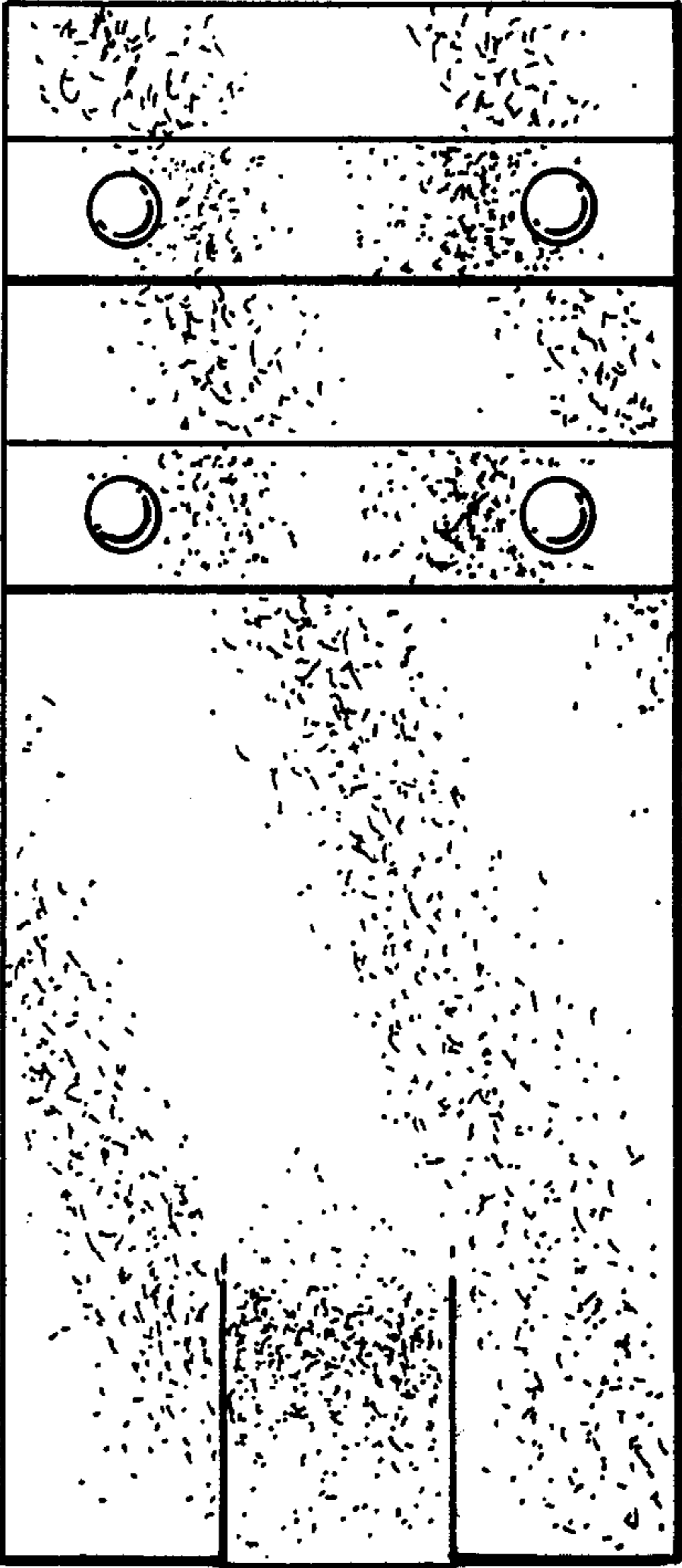
DESCRIPTION

FIG. 1 is a front perspective view of a spur pad showing my new design;  
FIG. 2 is a front elevational view thereof, the rear being substantially plain and unornamented;  
FIG. 3 is a bottom plan view of FIG. 2;  
FIG. 4 is a side elevational view, the opposite side being a mirror image thereto.





*Fig.3*



*Fig.4*