

[54] WHEEL SET FOR SKATEBOARDS
[76] Inventors: Kazuhiro Kosono; Yasukazu Kosono,
both of No. 9-1, Asakusa 7-chome,
111 Taito-ku, Tokyo, Japan

1,021,735 3/1912 Everett 280/11.27
2,424,783 7/1947 Ware D34/14 C
2,510,722 6/1950 Snyder 280/11.28

[**] Term: 14 Years

[21] Appl. No.: 765,465

[22] Filed: Feb. 4, 1977

[30] Foreign Application Priority Data

Dec. 21, 1976 [JP] Japan 51-49680

[51] Int. Cl. D21-02

[52] U.S. Cl. D21/226

[58] Field of Search D34/14 C; D12/204, 207,
D12/208, 212; 280/87.04 A, 11.27, 11.28,
11.19, 11.22; 301/5.3, 5.7

[56] References Cited

U.S. PATENT DOCUMENTS

180,646 8/1876 Saladee D34/14 C

FOREIGN PATENT DOCUMENTS

724885 2/1955 United Kingdom 280/11.27

Primary Examiner—Joel Stearman
Assistant Examiner—C. A. Rademaker
Attorney, Agent, or Firm—William Anthony Drucker

[57] CLAIM

The ornamental design for a wheel set for skateboards,
as shown and described.

DESCRIPTION

FIG. 1 is a front elevational view of a wheel set for
skateboards showing our new design;
FIG. 2 is a side elevational view thereof;
FIG. 3 is a top plan view thereof;
FIG. 4 is a bottom plan view thereof;
FIG. 5 is a rear elevational view thereof; and,
FIG. 6 is a perspective view thereof.

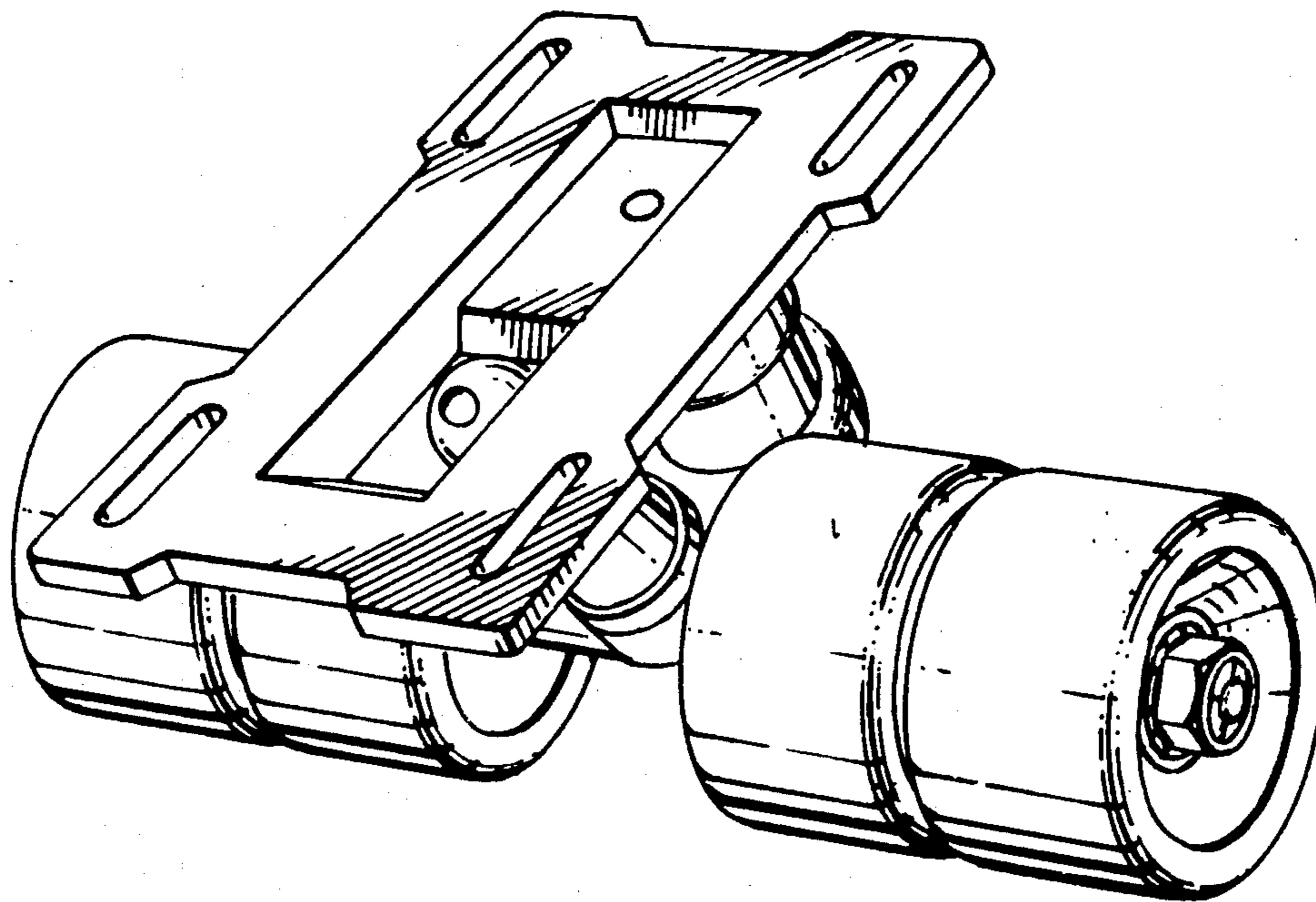


FIG. 1

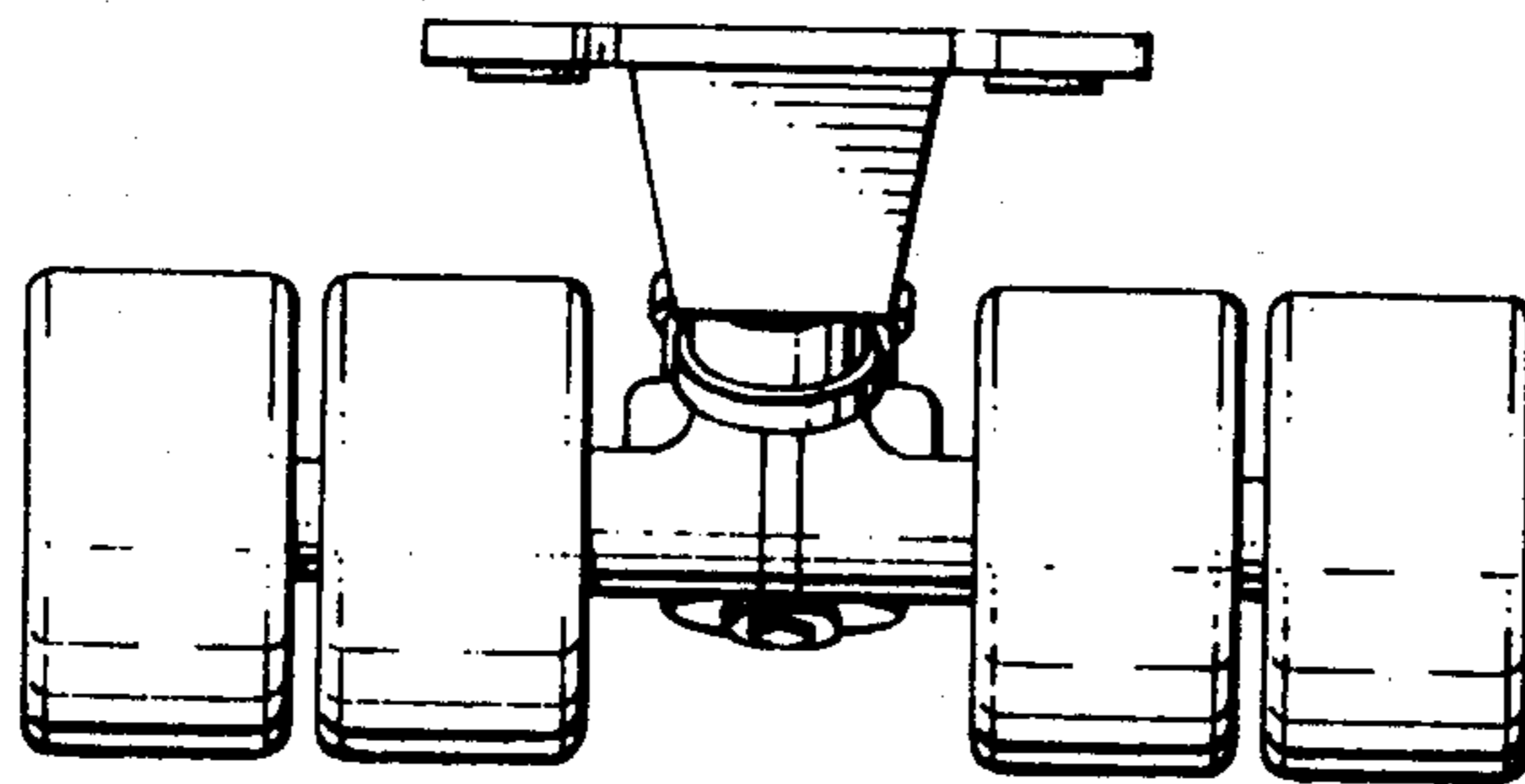


FIG. 2

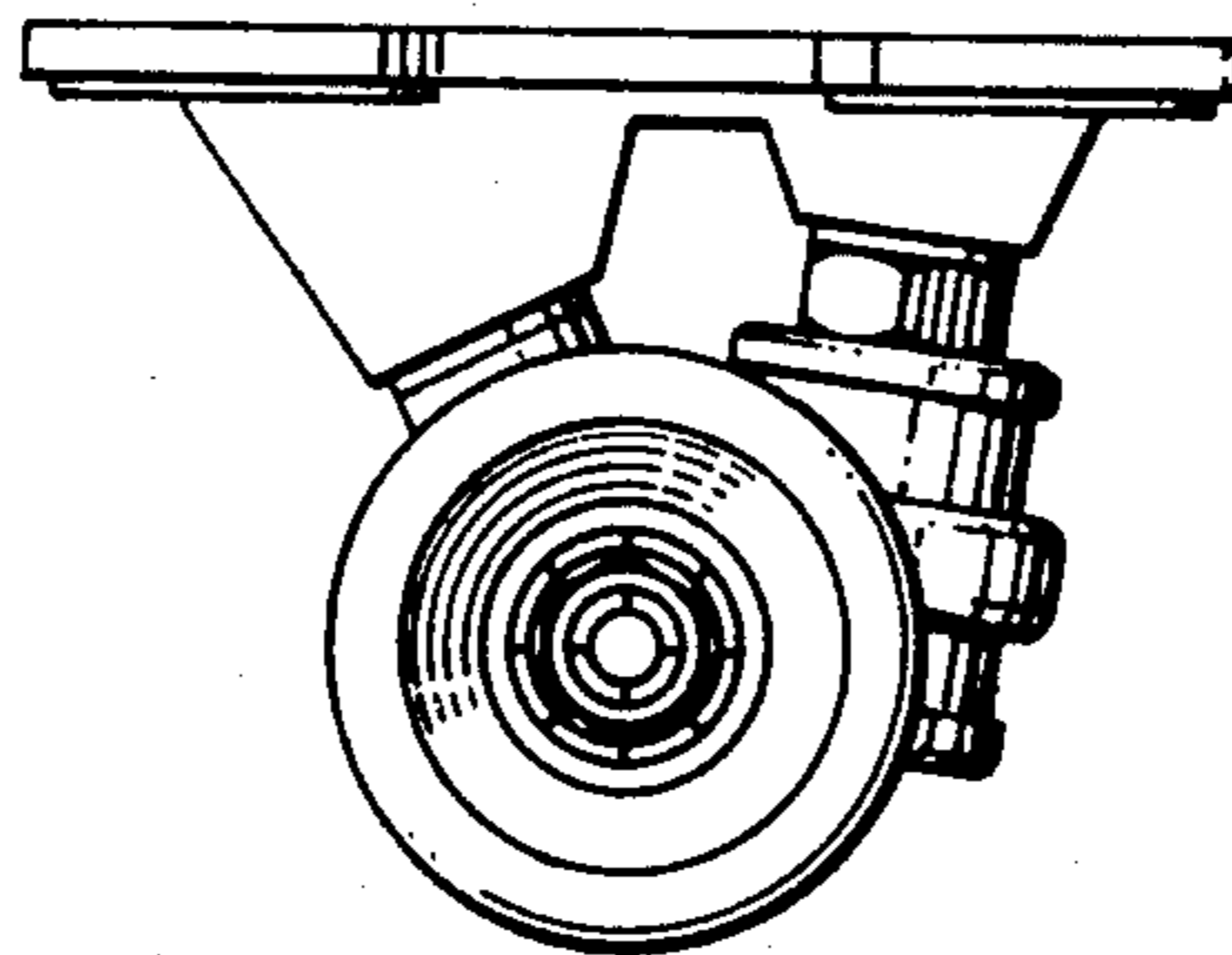


FIG. 3

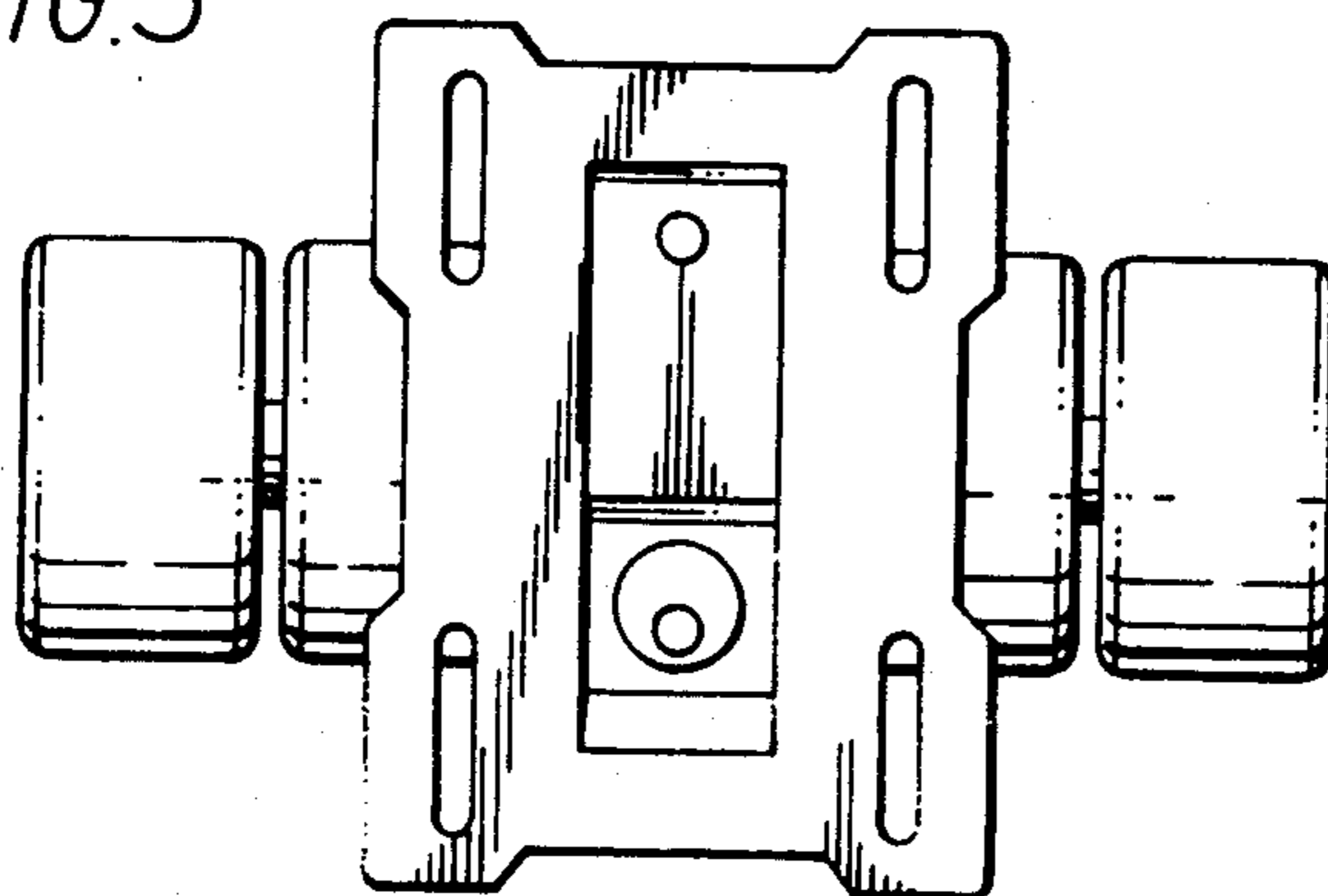


FIG. 4

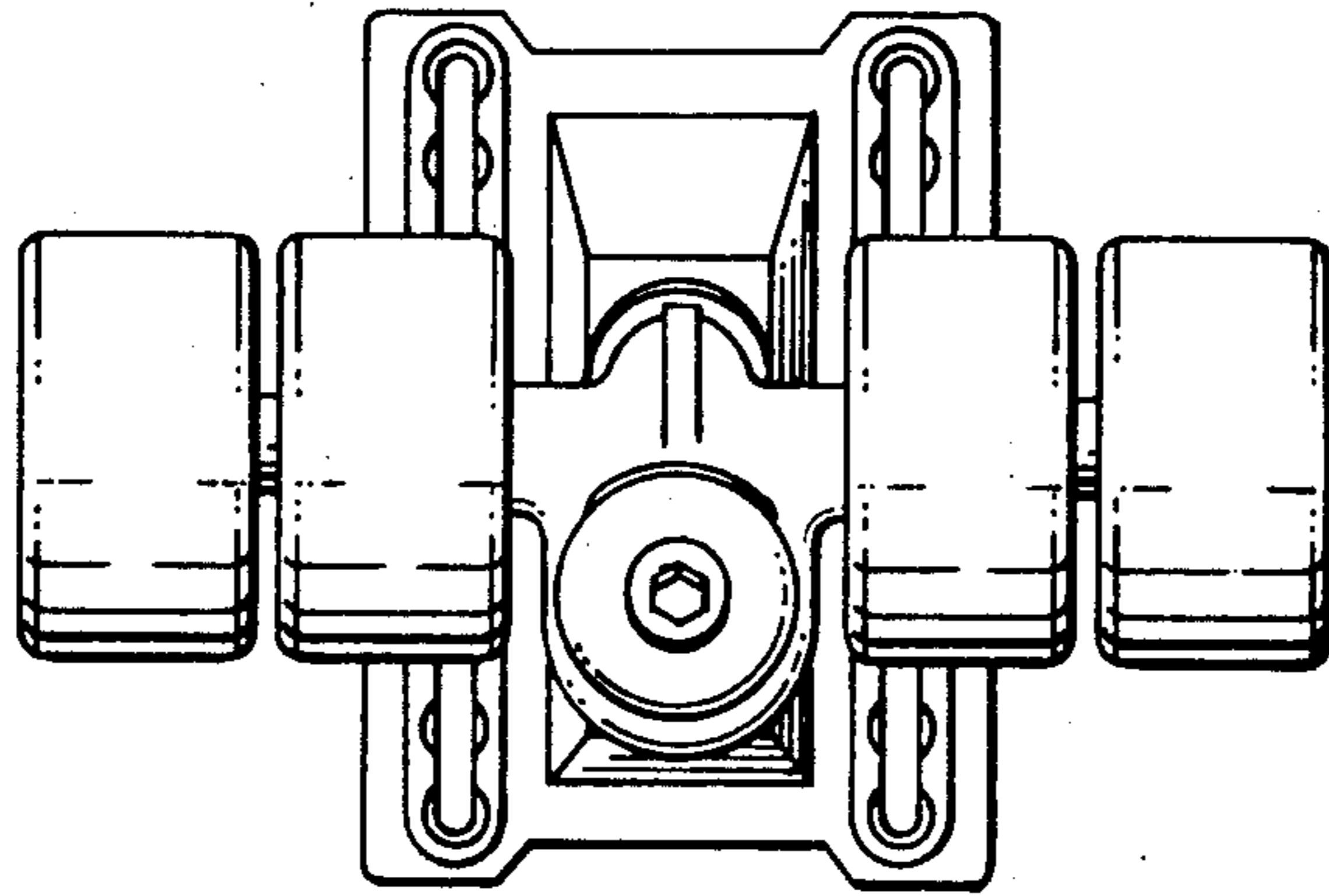


FIG. 5

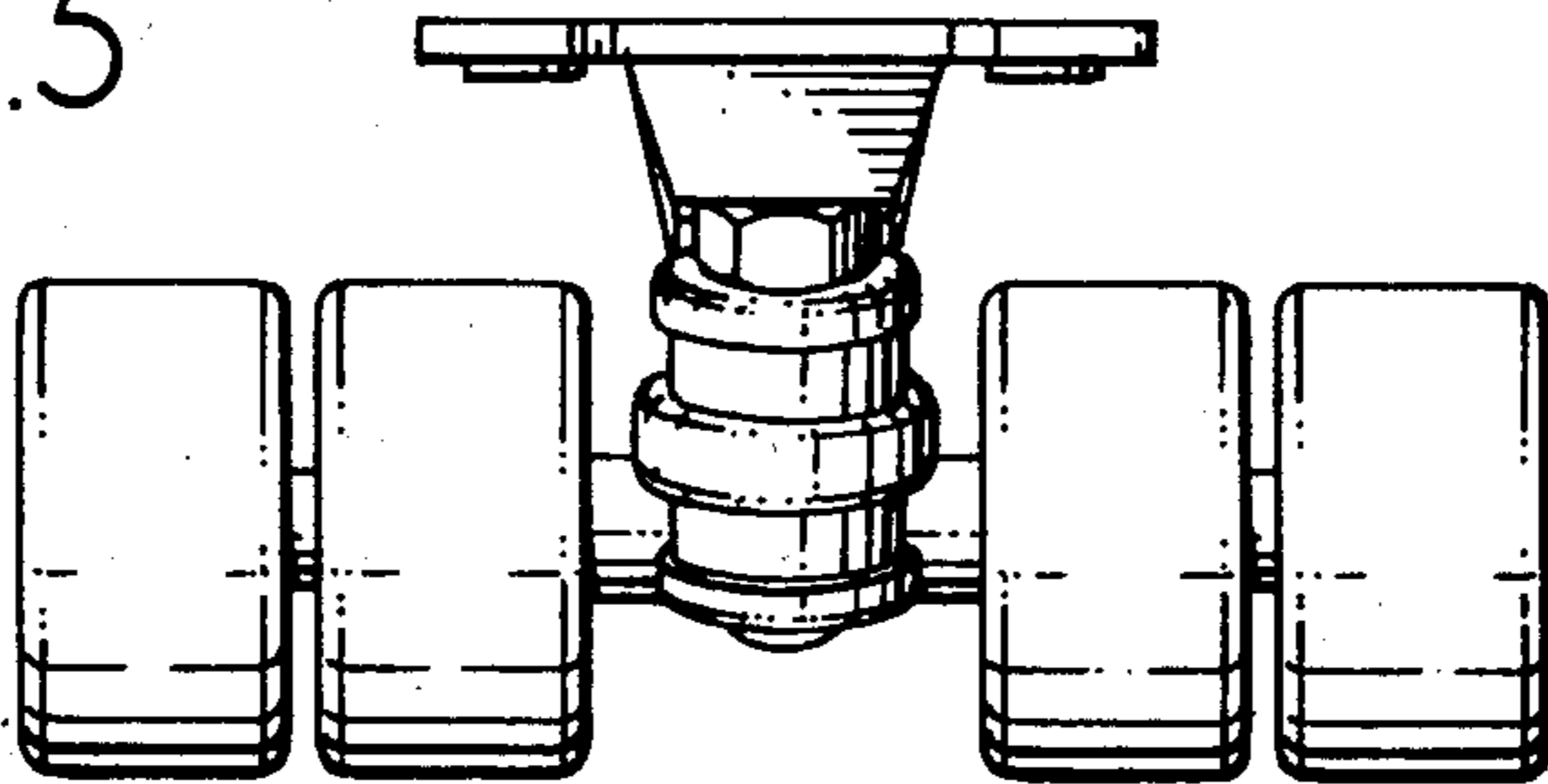


FIG. 6

