

[54] CASUALTY RECOVERY UNIT
[75] Inventors: Elvet D. Broom; Peter J. Moxon,
both of Stoke-on-Trent, England

[73] Assignee: Coal Industry (Patents) Limited,
London, England

[**] Term: 14 Years

[21] Appl. No.: 753,296

[22] Filed: Dec. 22, 1976

[30] Foreign Application Priority Data
Sep. 17, 1976 [GB] United Kingdom 977201

[51] Int. Cl. D12-12

[52] U.S. Cl. D24/99; 5/82 R;
D99/6

[58] Field of Search D31/1, 3; 27/35, 2,
27/4; D24/3, 7, 99; 128/134; 5/82, 92; 312/1,
296

[56] References Cited

U.S. PATENT DOCUMENTS

D. 227,181	6/1973	Shaw	D24/3 X
3,135,972	6/1964	Jakes et al.	5/82 R
3,811,139	5/1974	Shaw	5/82 R
4,023,219	5/1977	Shindler	5/82 R
4,033,000	7/1977	Bonifay	5/82 R

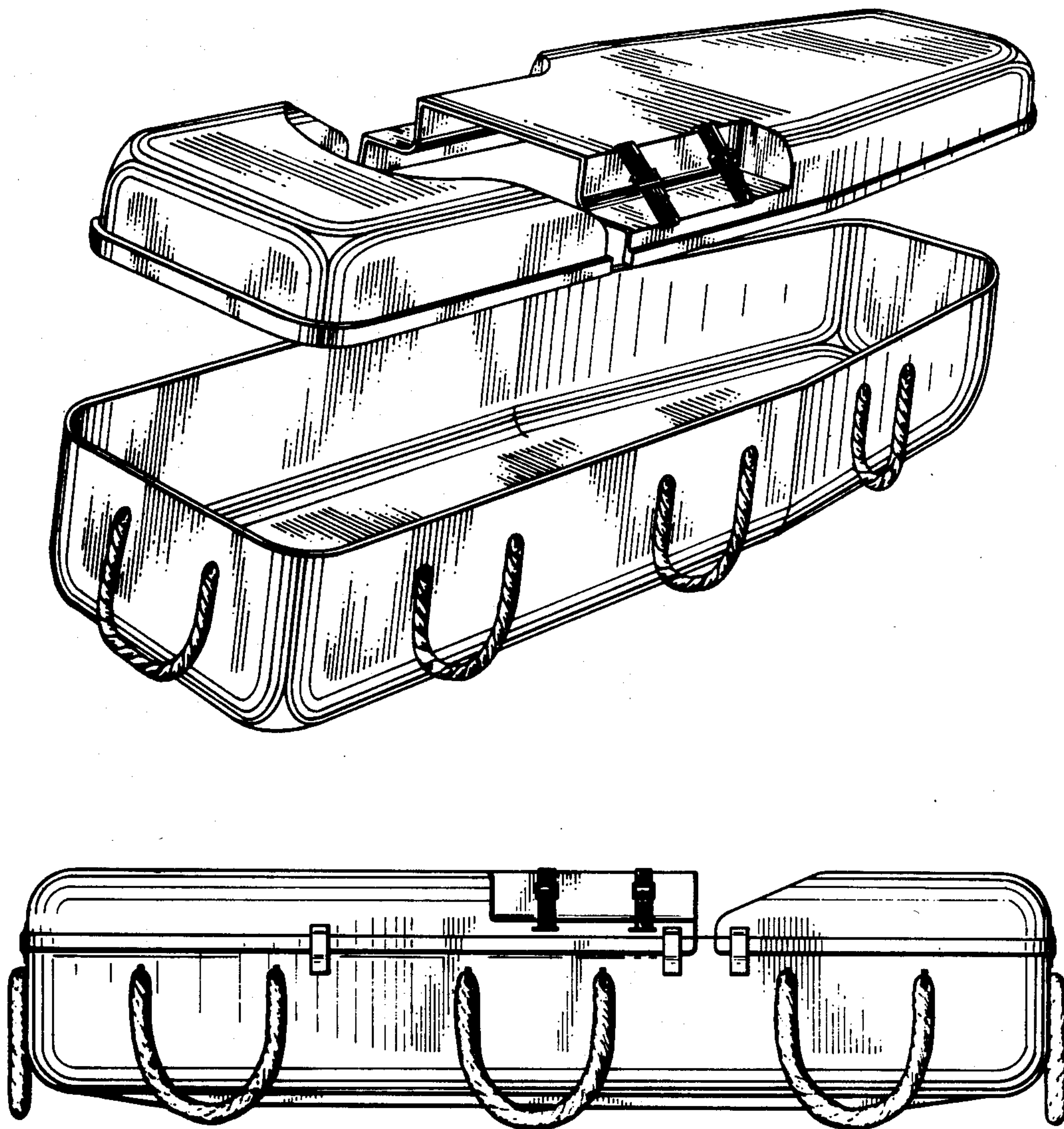
Primary Examiner—Bernard Ansher
Attorney, Agent, or Firm—James C. Wray

[57] CLAIM

The ornamental design for a casualty recovery unit, as shown.

DESCRIPTION

FIG. 1 is an exploded perspective view of the unit;
FIG. 2 is a side view;
FIG. 3 is an end view;
FIG. 4 is a plan view;
FIG. 5 is an inverted plan view.



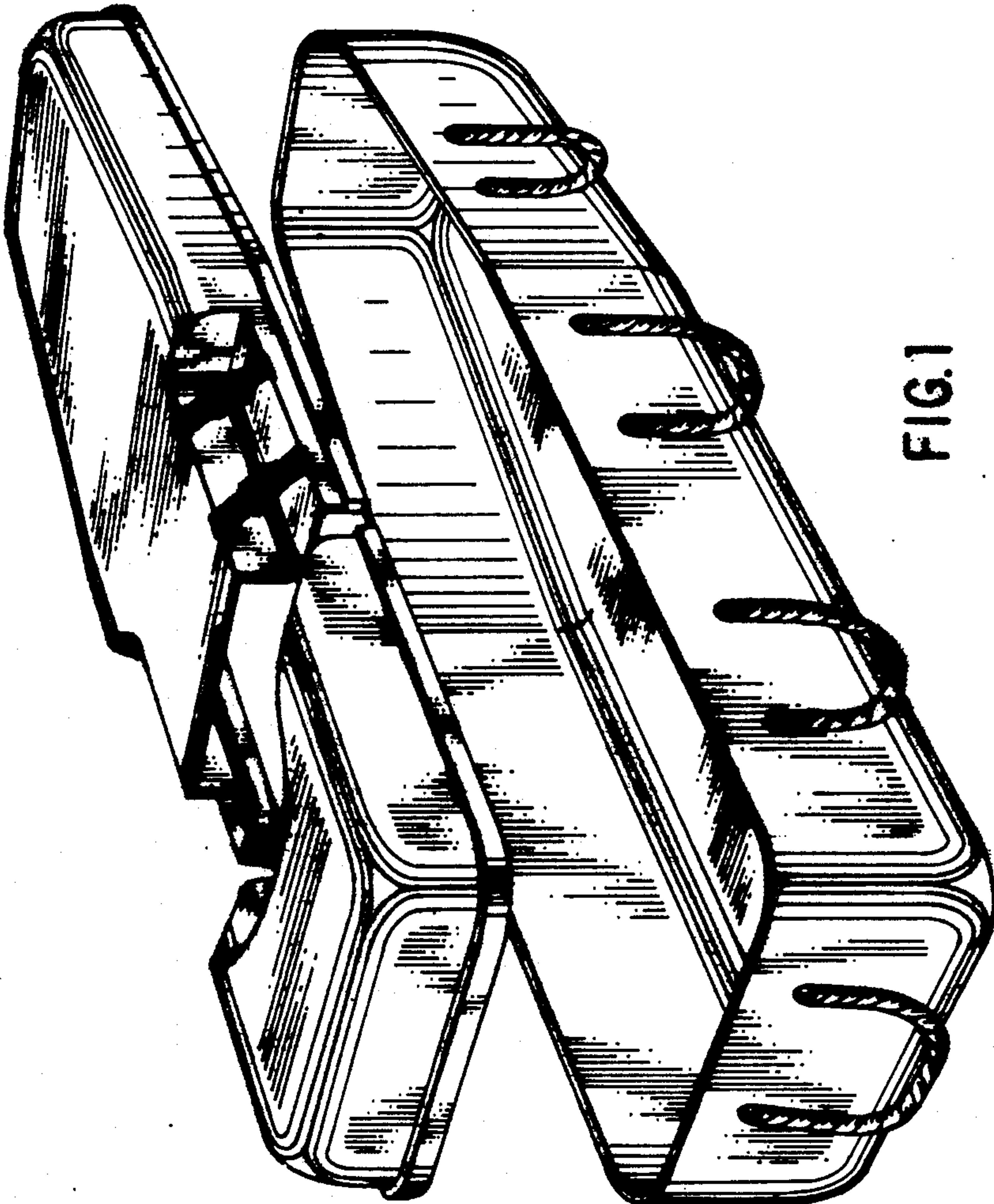


FIG. 1

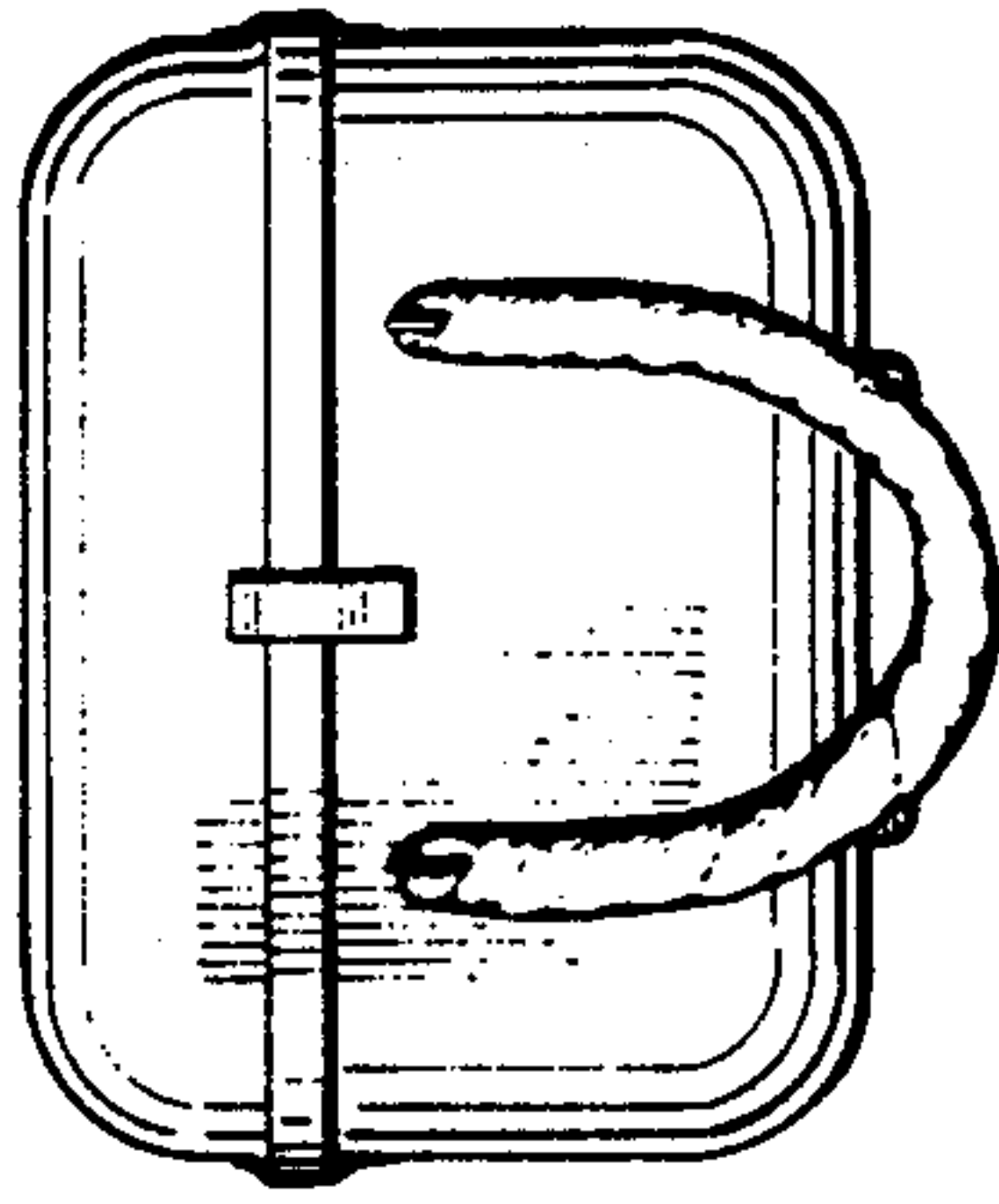


FIG. 3

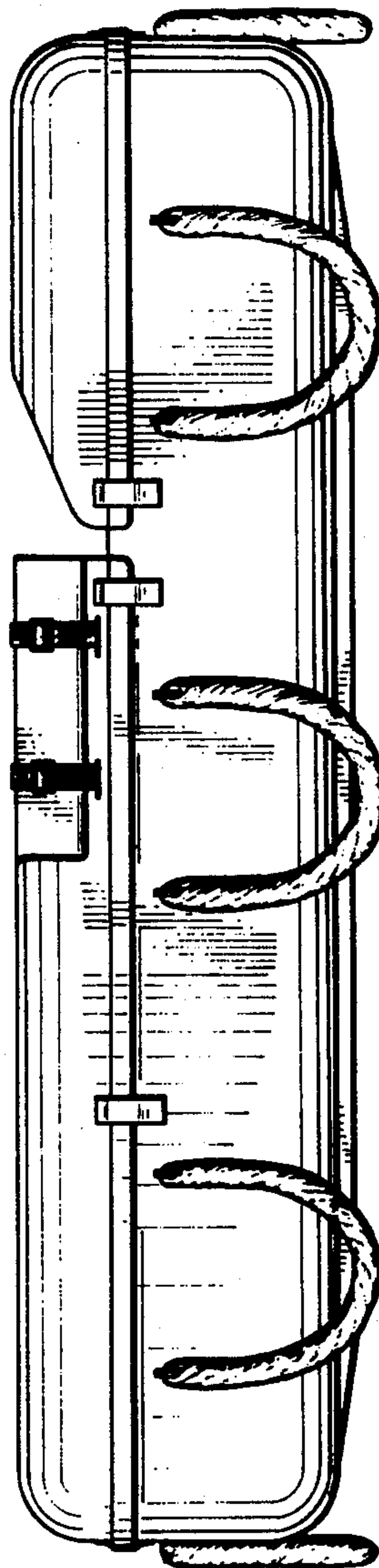


FIG. 2

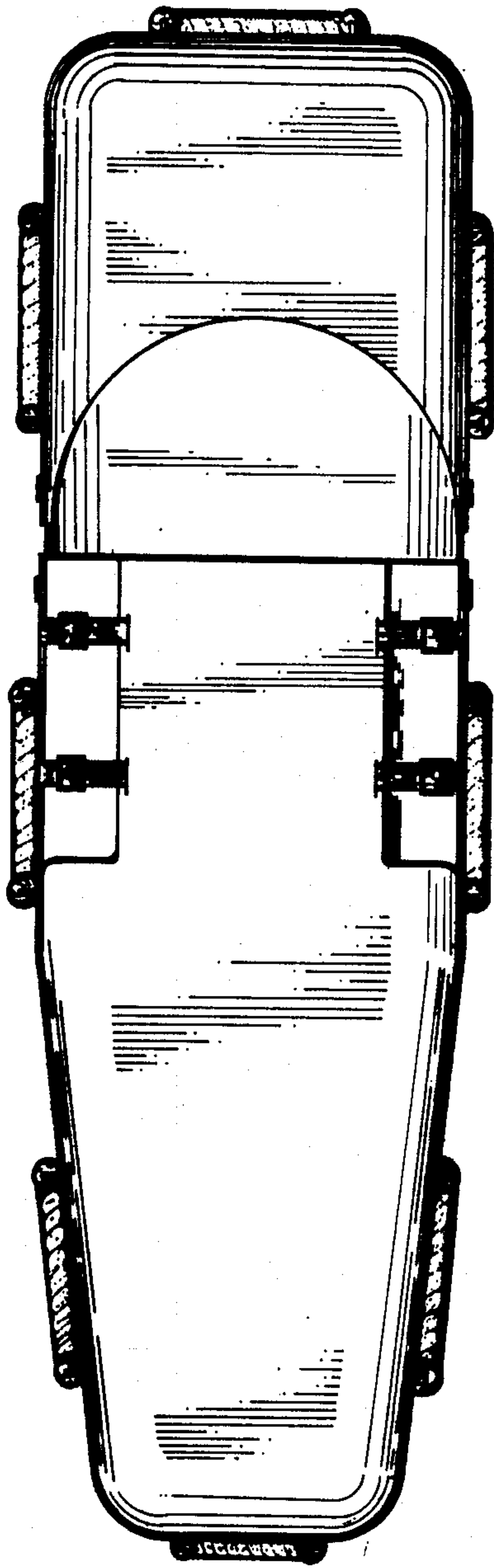


FIG. 4

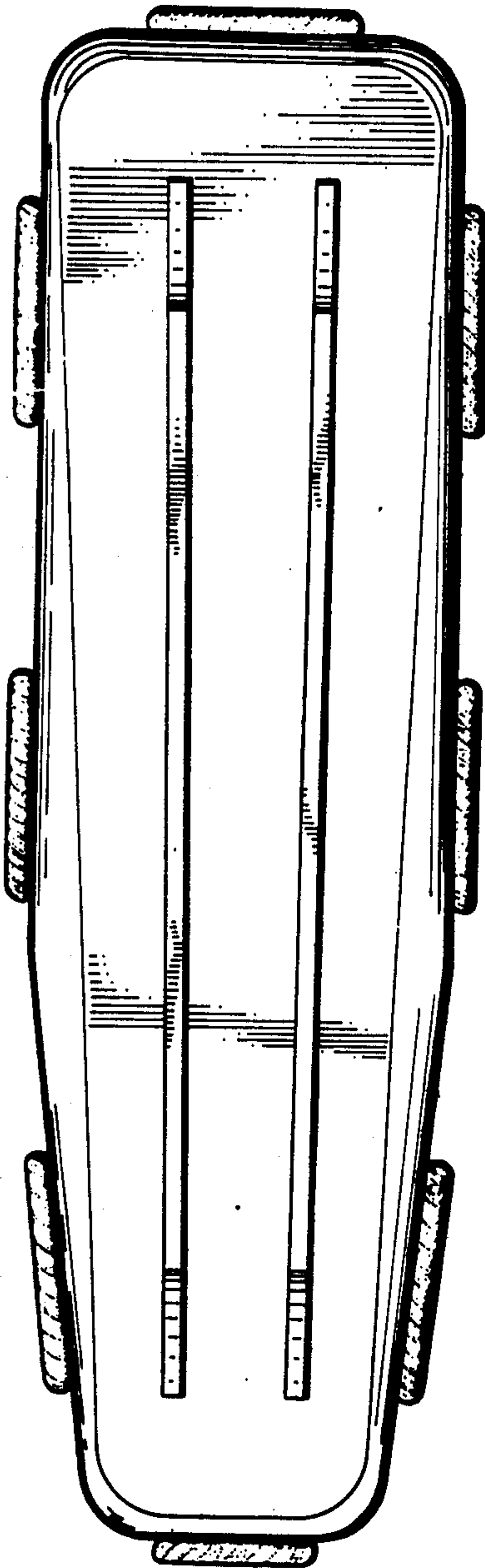


FIG. 5