

[54] MULTIPLEXED ELECTROSTATIC COPIER HAVING PLURAL SCAN STATIONS AND COMMON DEVELOPMENT

[76] Inventor: Alfred B. Levine, 2924 Terrace Dr., Chevy Chase, Md. 20015

[**] Term: 14 Years

[21] Appl. No.: 904,458

[22] Filed: May 9, 1978

Related U.S. Application Data

[63] Continuation-in-part of Ser. No. 775,111, Mar. 7, 1977, abandoned.

[51] Int. Cl. D16-03

[52] U.S. Cl. D16/27

[58] Field of Search D16/27, 28, 29, 30, D16/31, 32; D6/146, 157; 355/3 R; 312/194, 196, 223, 234, 252, 239, 285, 107, 140.1, 211, 271, 287

References Cited

U.S. PATENT DOCUMENTS

D. 197,652 3/1964 Courtwright D6/157

D. 218,176	7/1970	Des Marais	D6/157
D. 247,853	5/1978	Levine	D16/27
2,970,874	2/1961	Honeycutt et al.	312/285 X
3,160,451	12/1964	Lewis	312/196
3,361,508	1/1968	Chassevent	312/239
3,383,147	5/1968	Proulx et al.	312/223 X
3,593,669	7/1971	Zimmerly	108/150

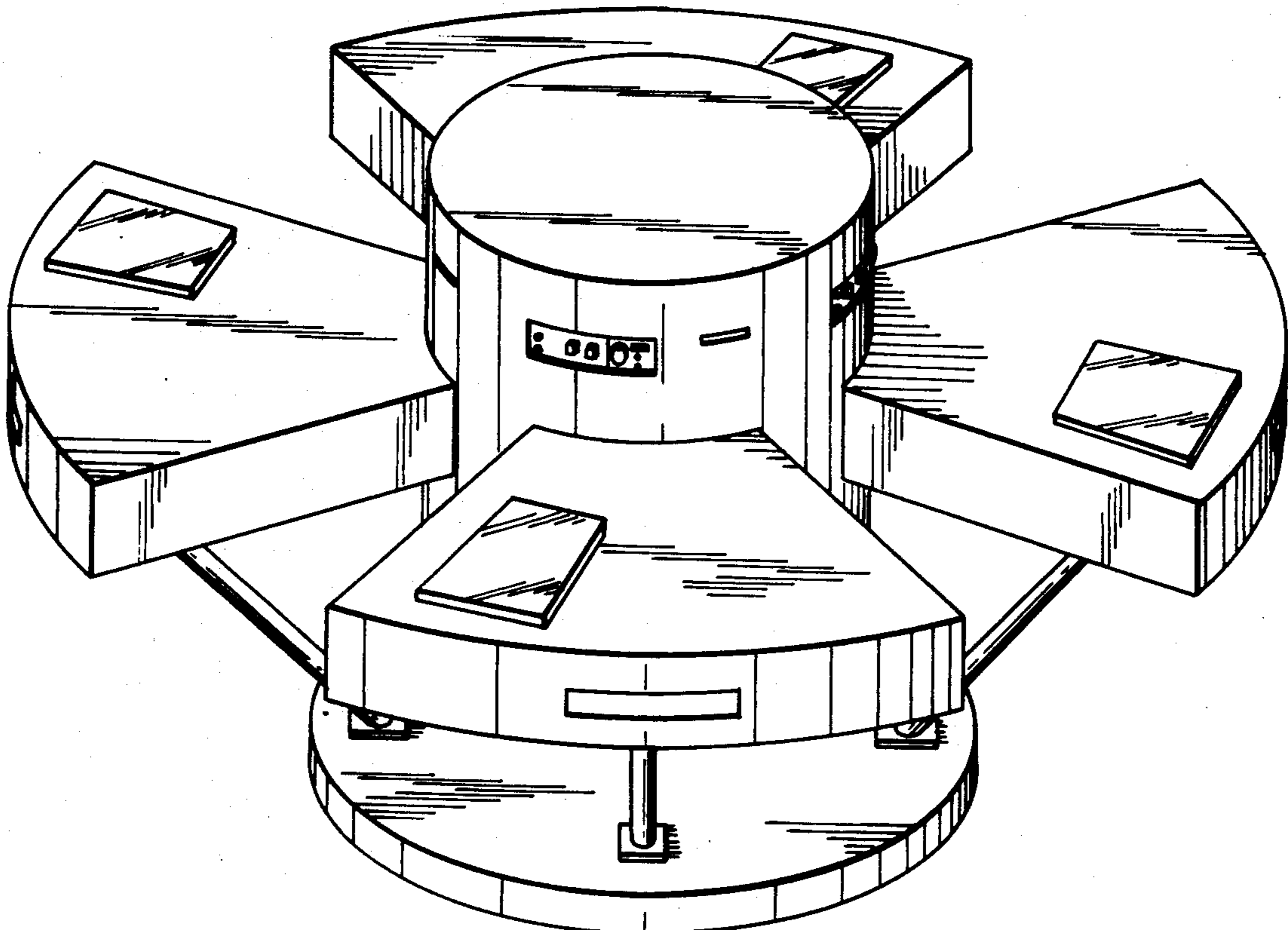
Primary Examiner—Wallace R. Burke
Assistant Examiner—Catherine Kemper
Attorney, Agent, or Firm—Alfred B. Levine

[57] CLAIM

The ornamental design for multiplexed electrostatic copier having plural scan stations and common development, as shown and described.

DESCRIPTION

FIG. 1 is a perspective view of a multiplexed electrostatic copier having plural scan stations and common development, showing my new design; FIG. 2 is a top plan view thereof; FIG. 3 is a side elevational view, taken in the direction of line 3—3, shown in FIG. 2. The surface underneath the scan stations is substantially planar and unornamented. All four stations are identical to the one which is fully disclosed in FIG. 1.



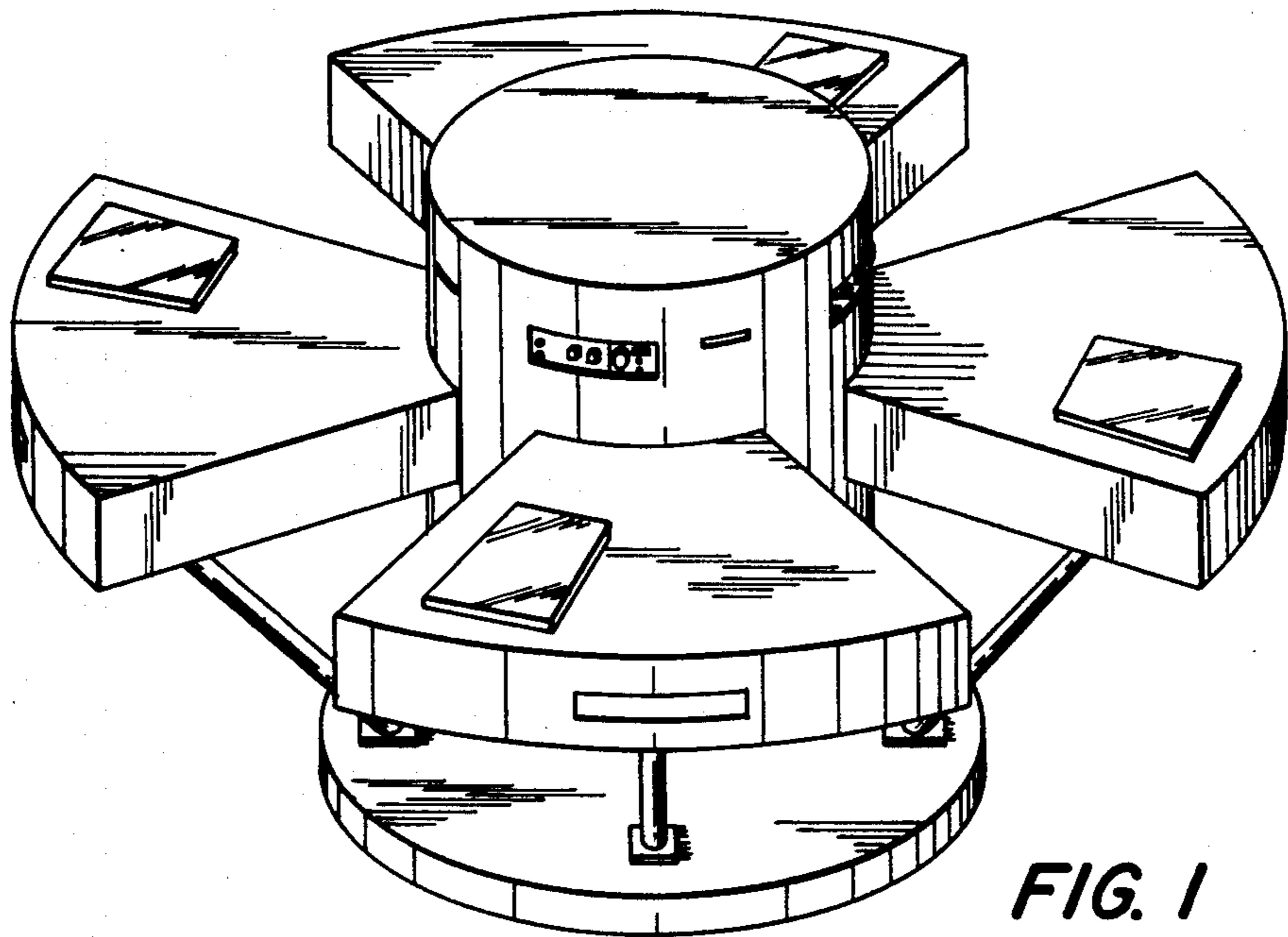


FIG. 1

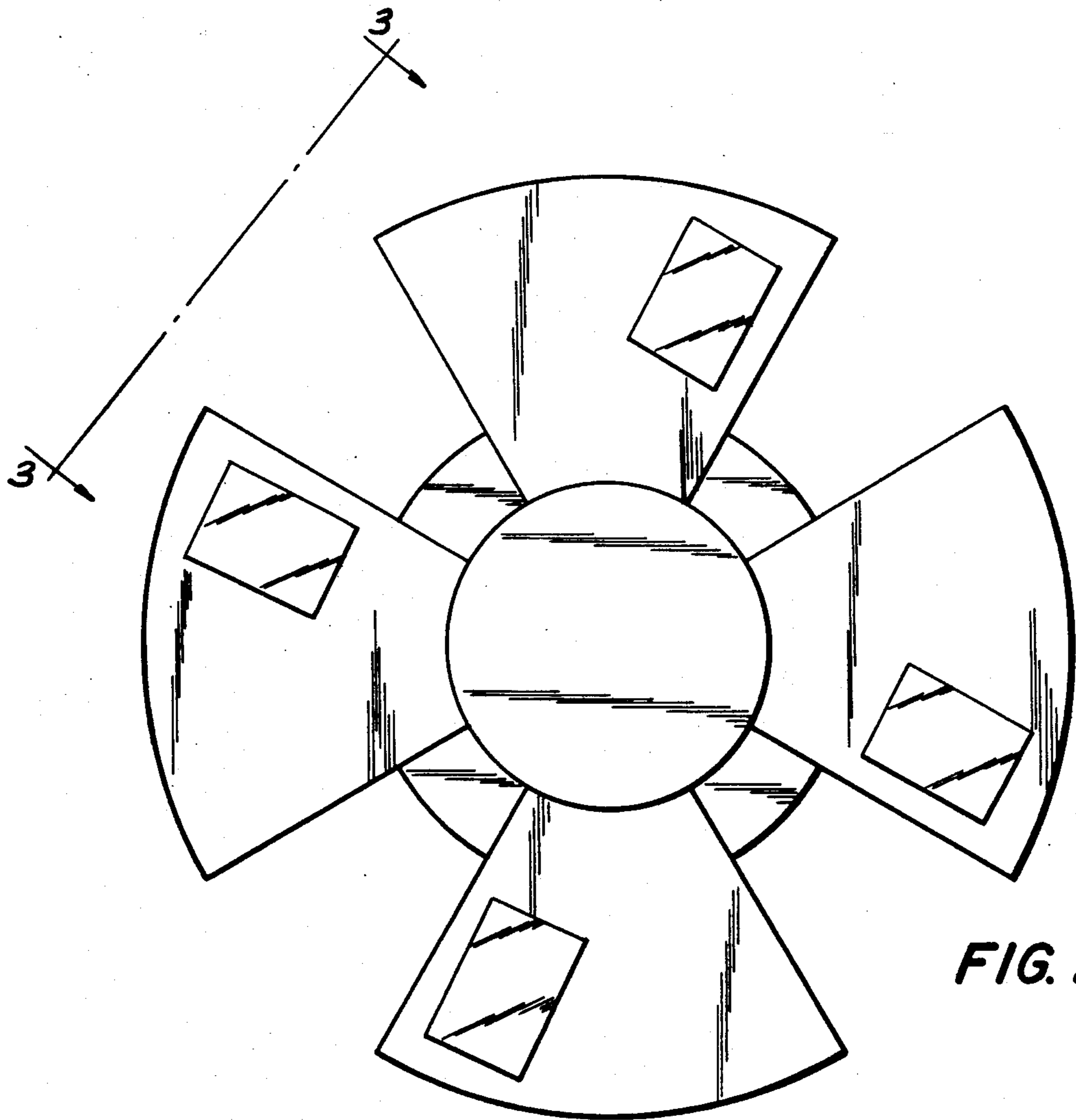


FIG. 2

Fig. 3

