

[54] ICE CREAM FREEZER

[75] Inventors: Masatoshi Sawada, Owariasahi, Japan; Bruno M. Valbona, Farmington, Conn.

[73] Assignee: Dynamics Corporation of America, Greenwich, Conn.

[\*\*] Term: 14 Years

[21] Appl. No.: 812,006

[22] Filed: Jun. 30, 1977

[51] Int. Cl. .... D15-07

[52] U.S. Cl. .... D15/82

[58] Field of Search ..... D15/82; 259/DIG. 32, 259/DIG. 34; 62/342, 340

[56] References Cited

PUBLICATIONS

Wards 1971 Spring/Summer Catalog, p. 785, Ice Cream Freezer No. 10, bottom right side of page.

Wards 1971 Spring/Summer Catalog, p. 785, Ice Cream Freezer No. 12, bottom center of page.

Primary Examiner—James M. Gandy

Attorney, Agent, or Firm—Watson D. Harbaugh

[57] CLAIM

The ornamental design for ice cream freezer, as shown.

DESCRIPTION

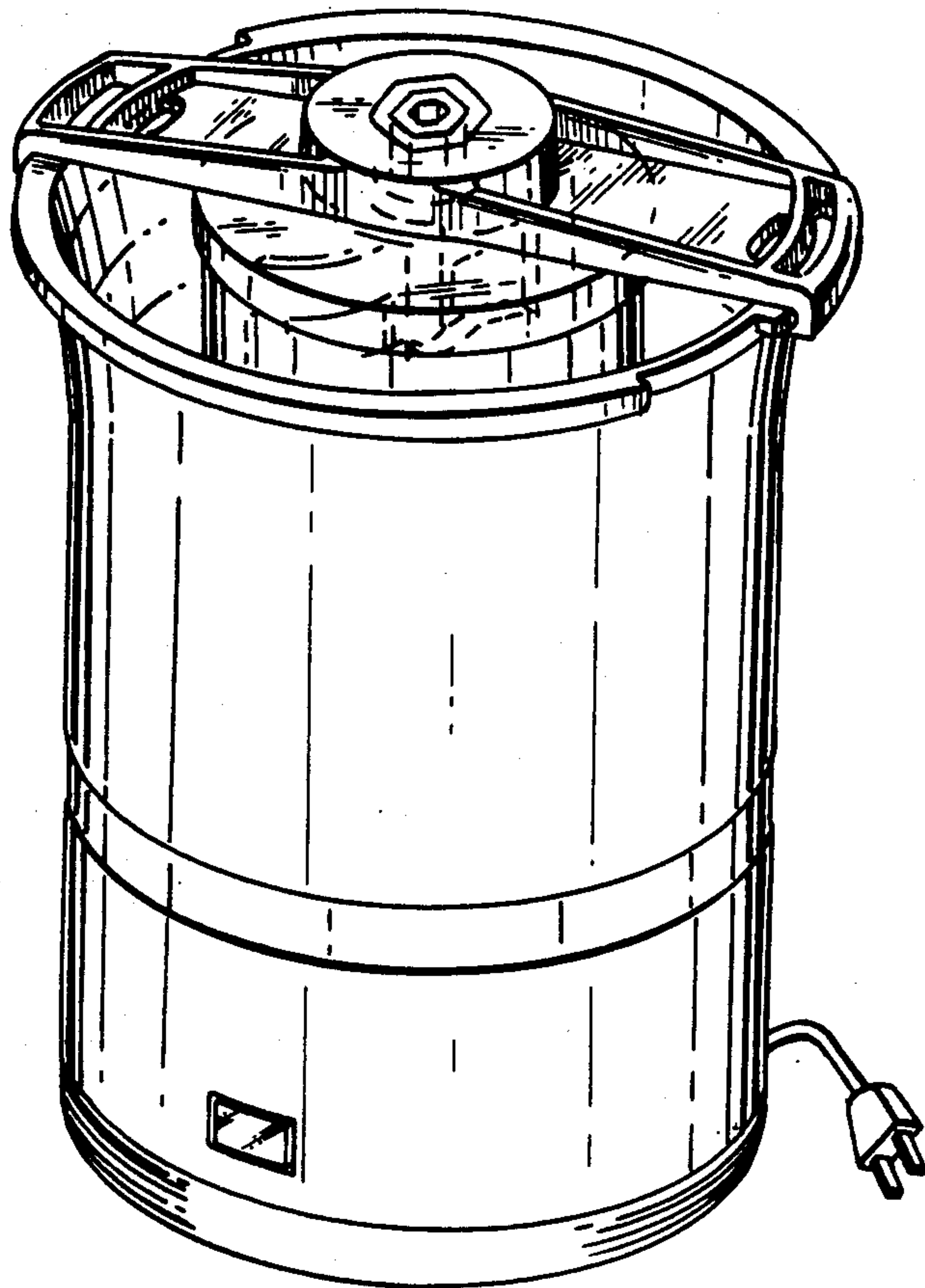
FIG. 1 is a front isometric view of an ice cream freezer showing our new design;

FIG. 2 is a rear elevational view thereof;

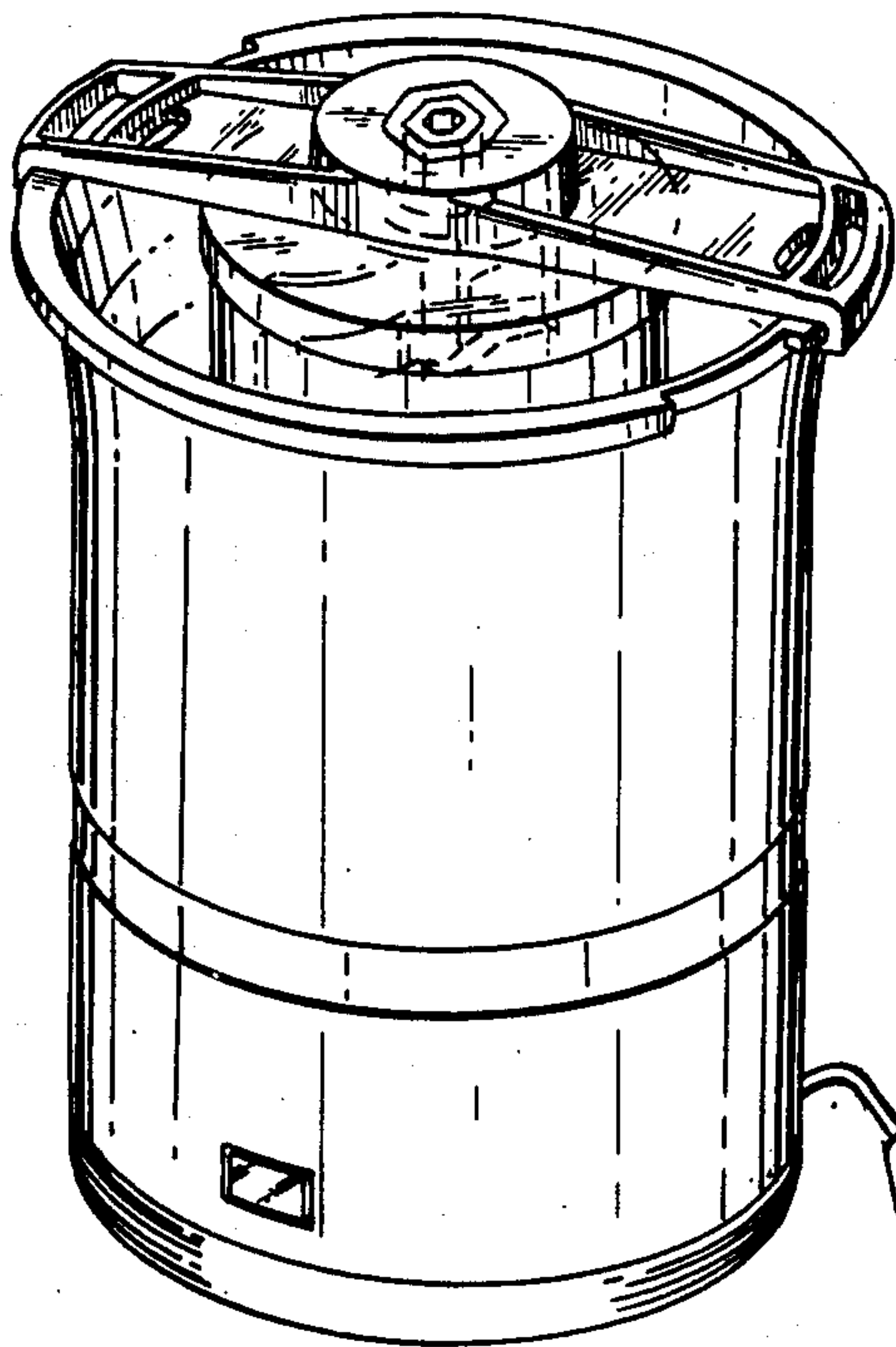
FIG. 3 is a side elevational view thereof;

FIG. 4 is a top plan view thereof; and

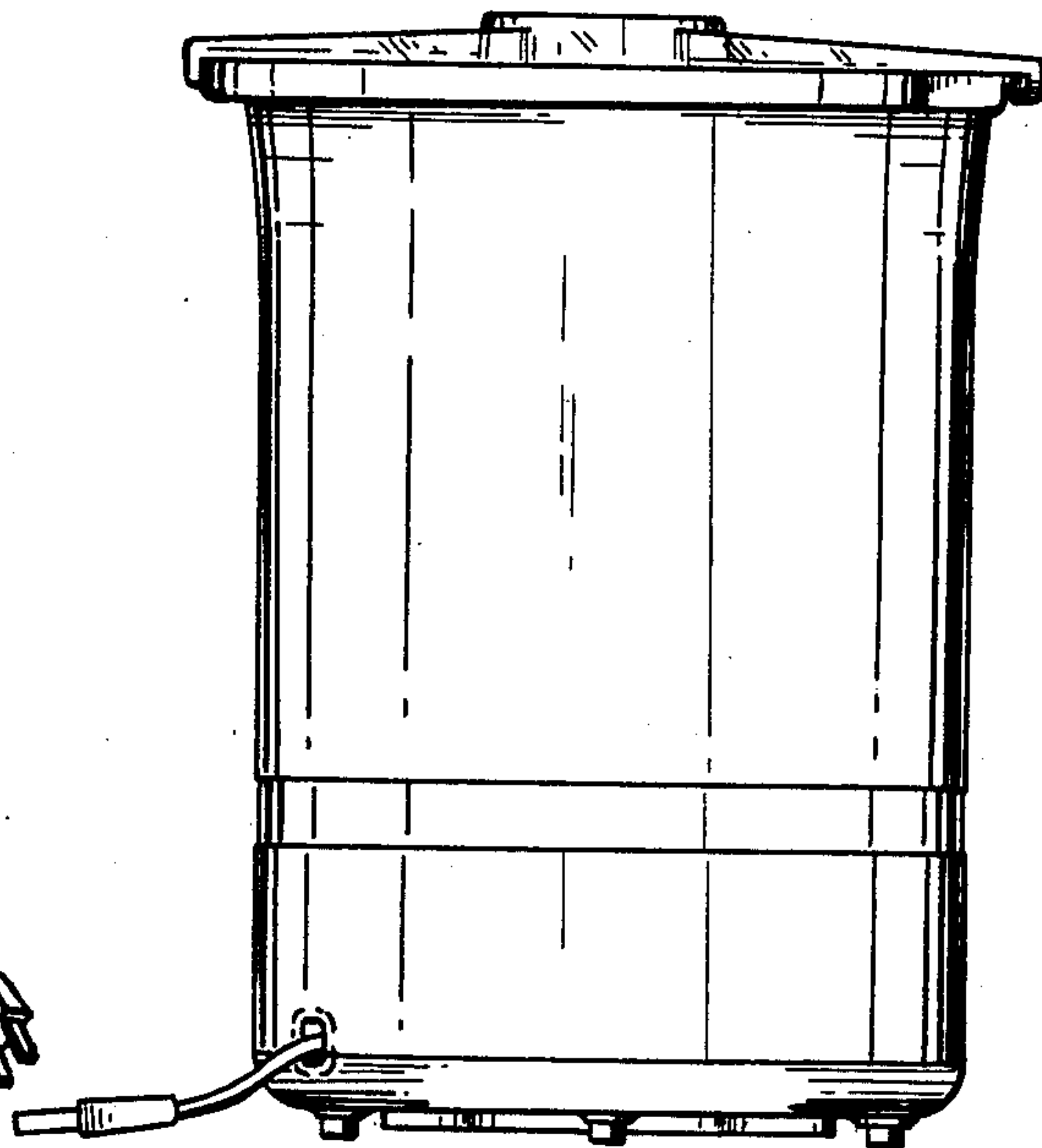
FIG. 5 is a bottom plan thereof.



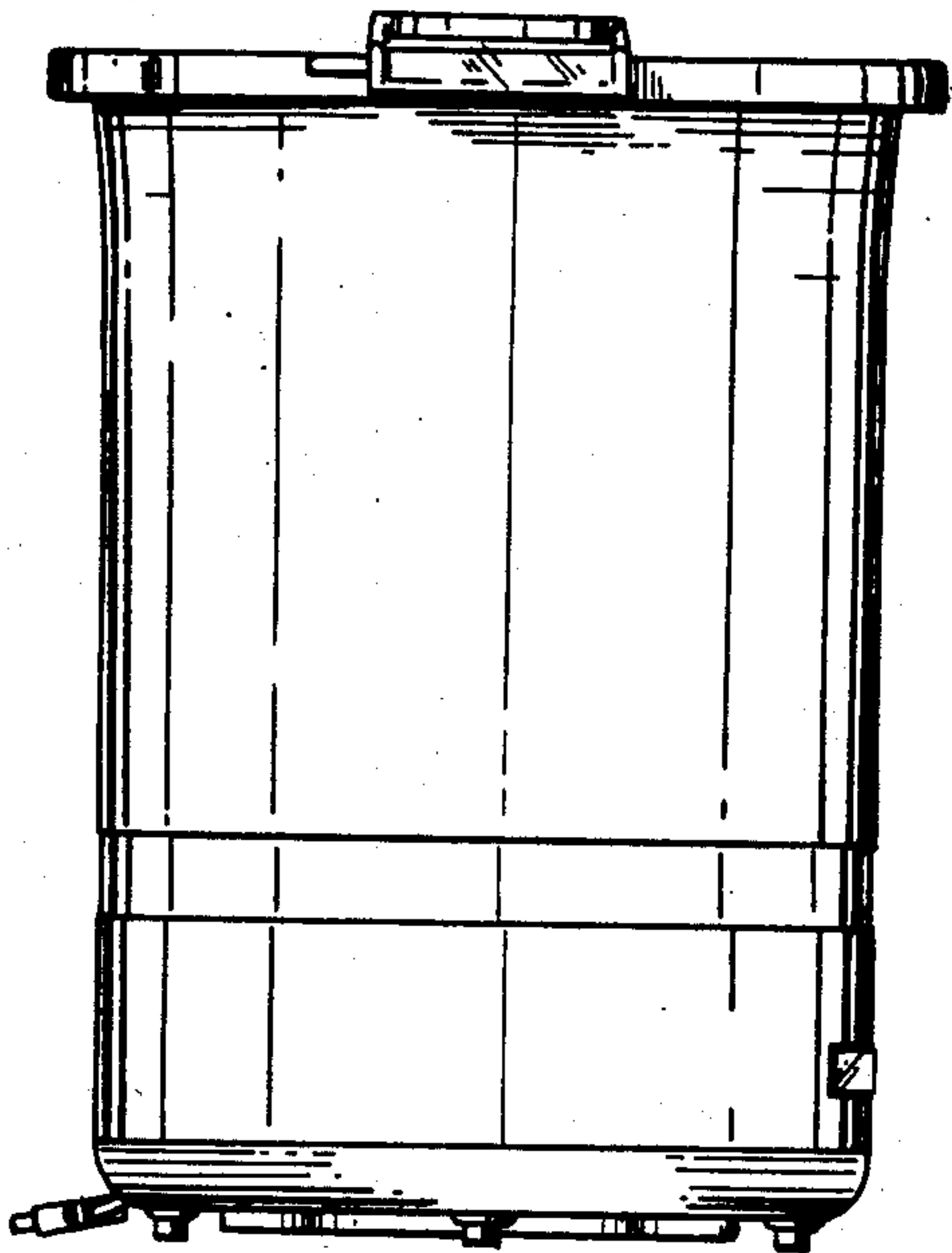
**FIG. 1**



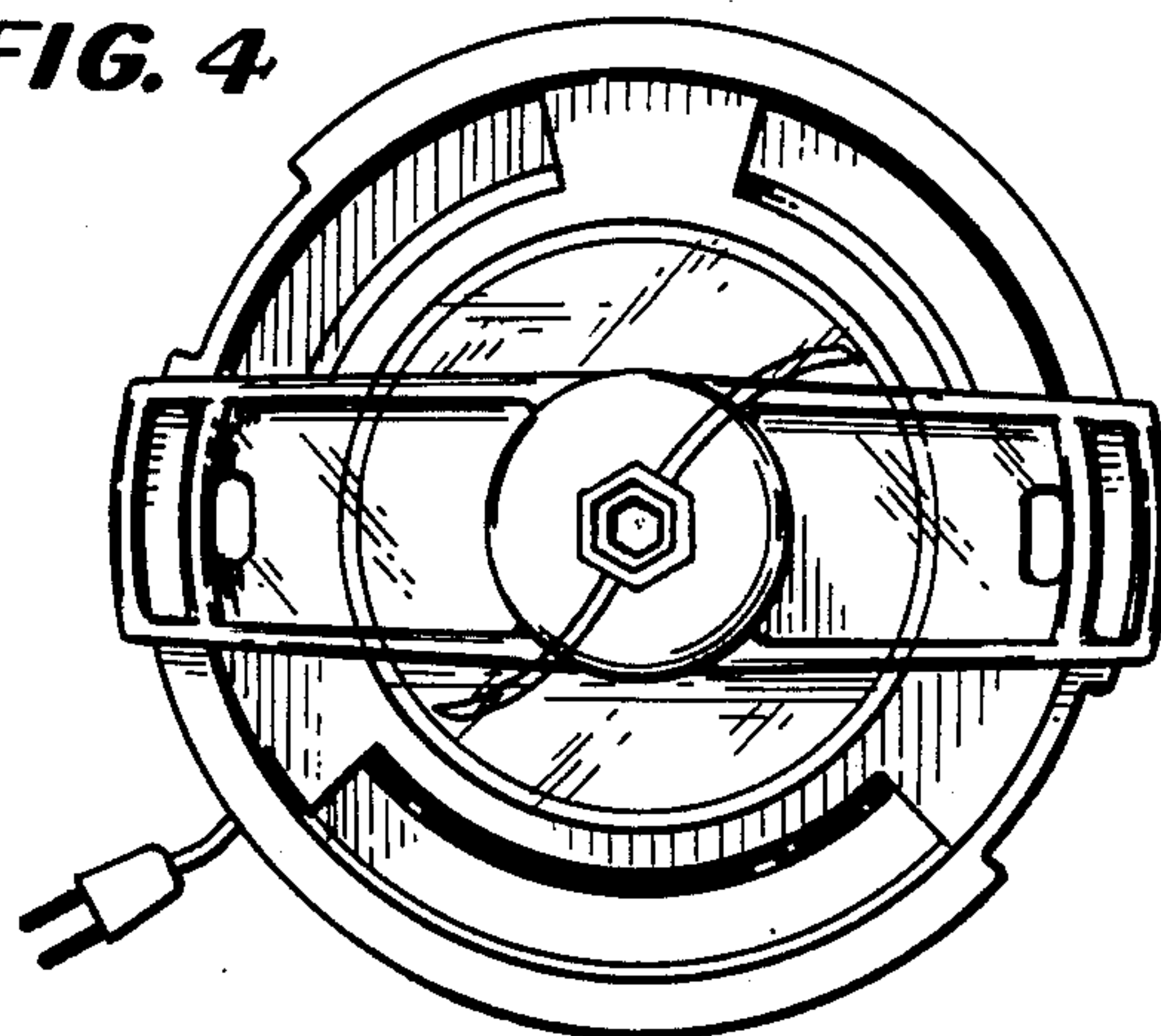
**FIG. 2**



**FIG. 3**



**FIG. 4**



**FIG. 5**

