

[54] FRUIT JUICE EXTRACTOR

[75] Inventor: Peter Ackeret, Künsnacht, Switzerland

[73] Assignee: Zyliss Zysset AG, Lyss, Switzerland

[**] Term: 14 Years

[21] Appl. No.: 764,152

[22] Filed: Feb. 2, 1977

[30] Foreign Application Priority Data

Dec. 31, 1976 [IT] Italy 53776 B/76

[51] Int. Cl. D7-04

[52] U.S. Cl. D7/49

[58] Field of Search D7/48, 49, 47; 99/505, 99/485, 501, 502, 503, 504, 506

[56] References Cited

U.S. PATENT DOCUMENTS

D. 68,764	11/1925	Bristol	D7/48
D. 150,398	8/1948	Bergen et al.	D7/49
1,861,426	5/1932	Davis et al.	99/503
1,888,915	11/1932	Fromm	99/503

2,057,227	10/1936	Blum	99/505
2,454,085	11/1948	Patrick	99/502

FOREIGN PATENT DOCUMENTS

908313 10/1962 United Kingdom 99/502

Primary Examiner—Winifred E. Herrmann
Attorney, Agent, or Firm—H. Dale Palmatier

[57] CLAIM

The ornamental design for a fruit juice extractor, as shown and described.

DESCRIPTION

FIG. 1 is a top perspective view of a fruit juice extractor showing my new design;
 FIG. 2 is a top plan view thereof taken in the direction of line II on FIG. 1;
 FIG. 3 is a side elevational view thereof taken in the direction of line III on FIG. 1;
 FIG. 4 is a front elevational view thereof taken in the direction of line IV on FIG. 1; and
 FIG. 5 is a rear elevational view thereof taken in the direction of line V on FIG. 1.
 The bottom is flat and unornamented except for the four protruding cylindrical feet.

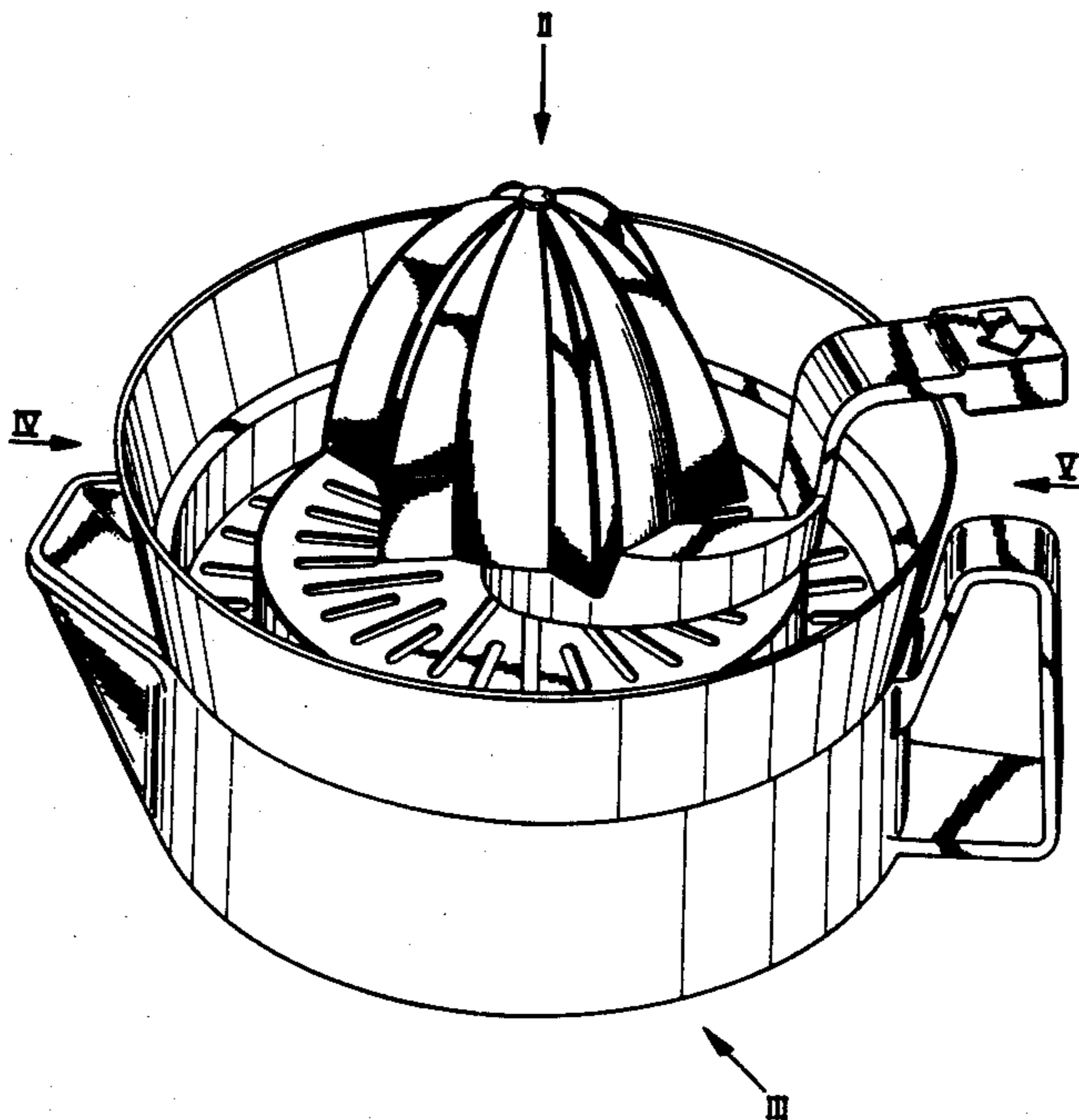
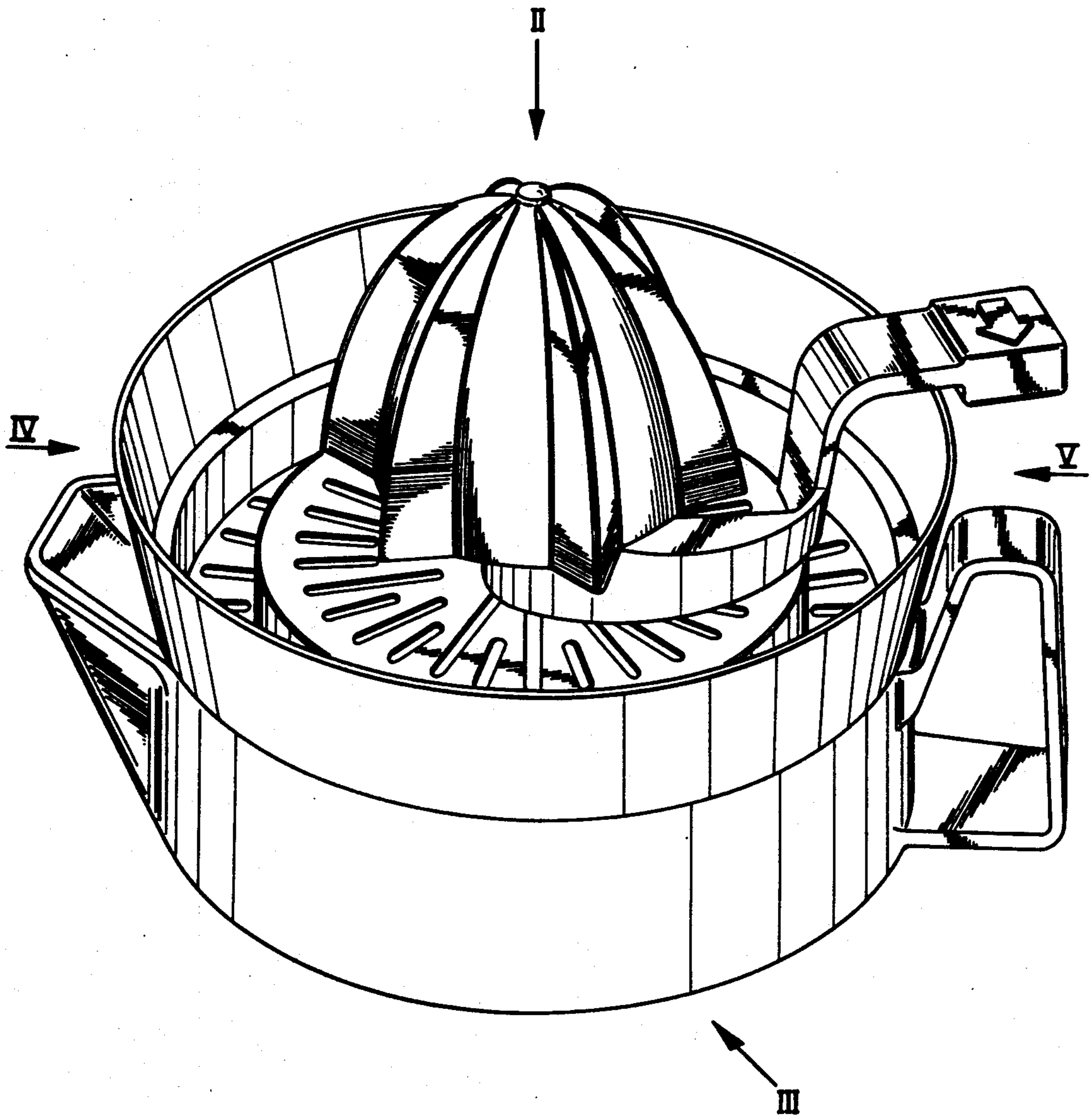


Fig. 1



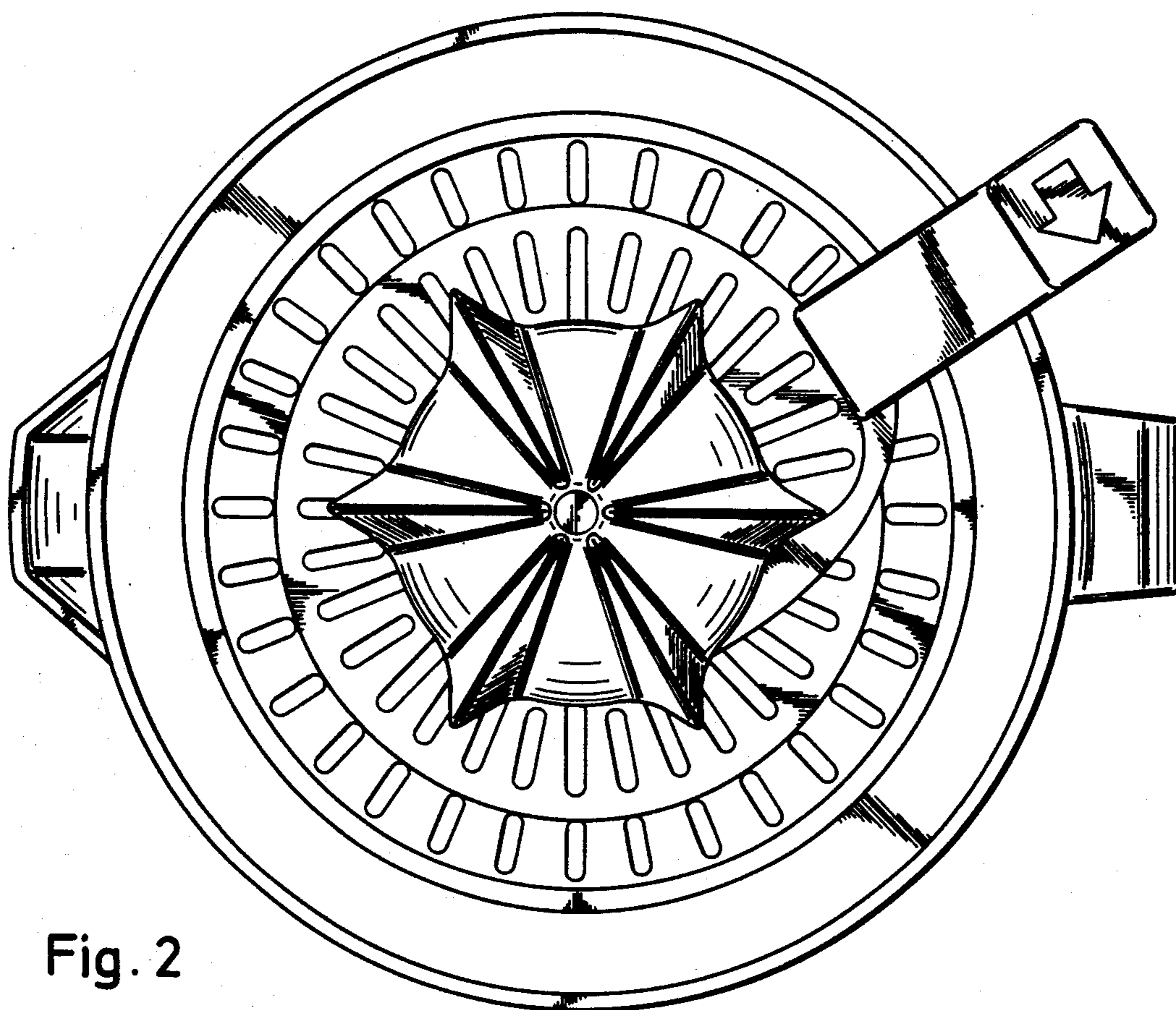


Fig. 2

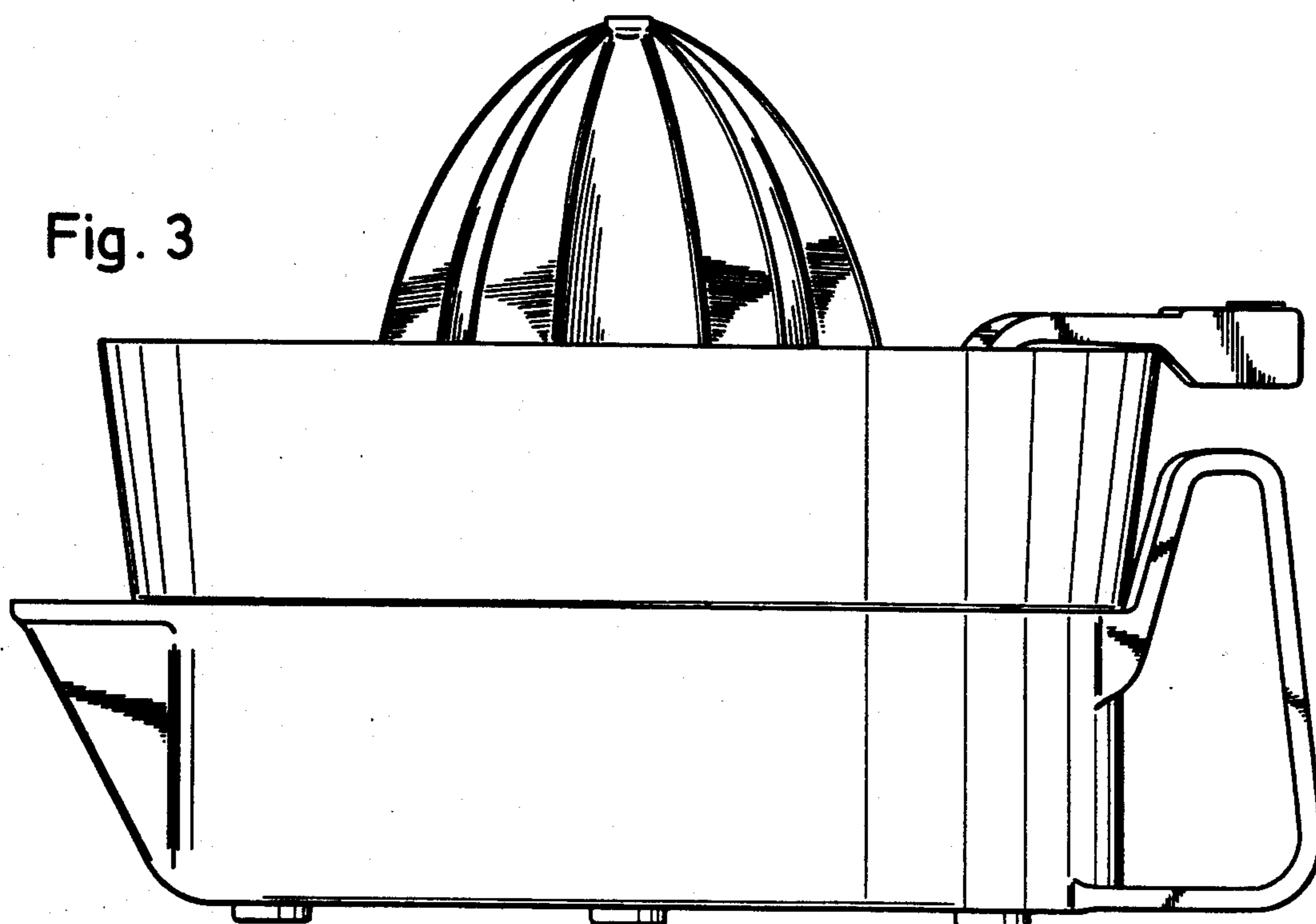


Fig. 3

Fig. 4

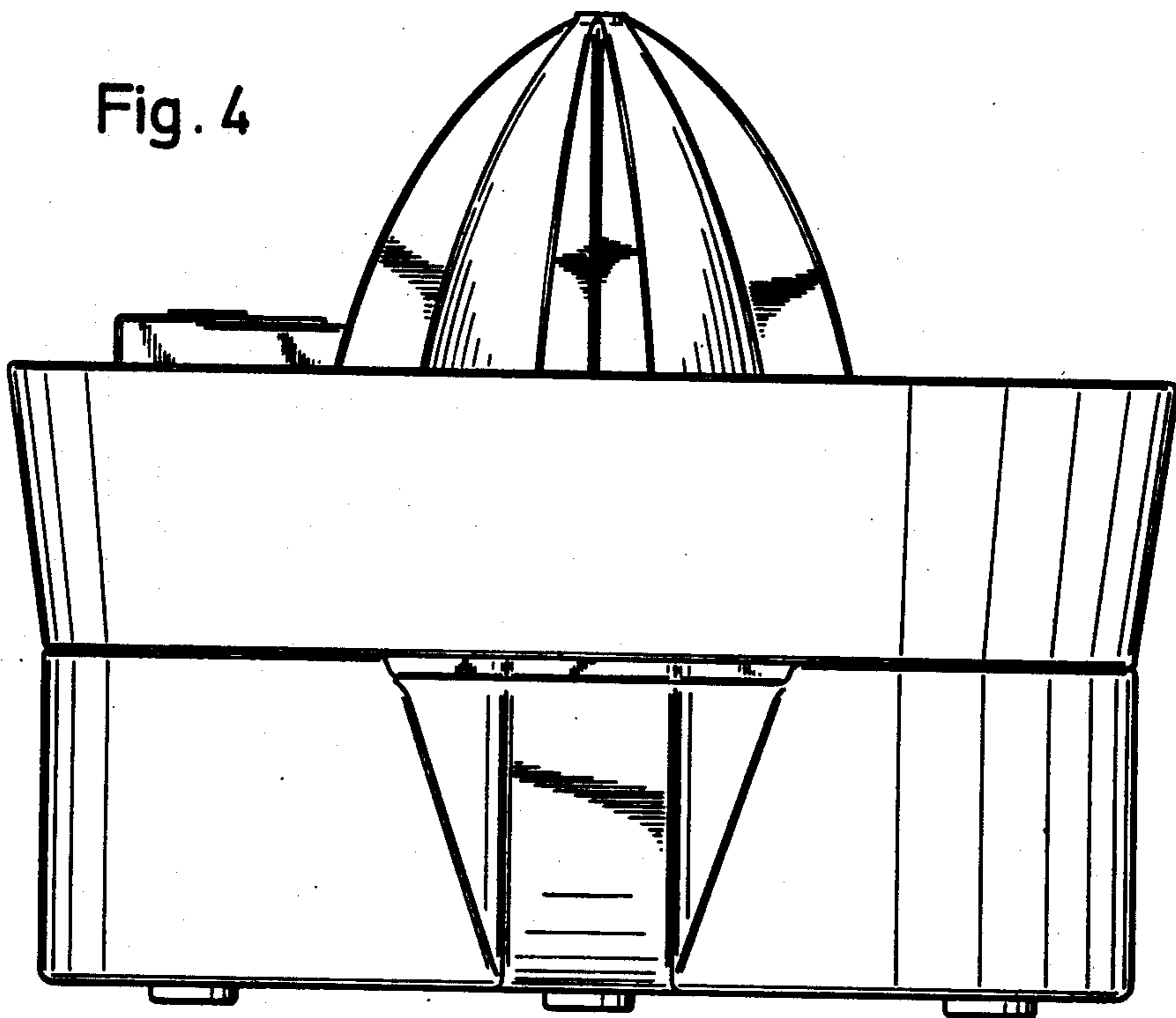


Fig. 5

