

[54] FRUIT JUICE EXTRACTOR

[75] Inventor: Peter Ackeret, Küsnacht, Switzerland

[73] Assignee: Zyliss Zysset AG, Lyss, Switzerland

[**] Term: 14 Years

[21] Appl. No.: 764,151

[22] Filed: Feb. 2, 1977

[30] Foreign Application Priority Data

Dec. 31, 1976 [IT] Italy 53774 B/76

[51] Int. Cl. D7-04

[52] U.S. Cl. D7/49

[58] Field of Search D7/48, 49, 47; 99/505, 99/485, 501, 502, 503, 504, 506

[56] References Cited

U.S. PATENT DOCUMENTS

D. 68,764 11/1925 Bristol D7/48
D. 150,398 8/1948 Bergen et al. D7/49

D. 221,370 8/1971 Hutzler D7/48
1,888,915 11/1932 Fromm 99/503
1,971,657 8/1934 Quam 99/505

Primary Examiner—Winifred E. Herrmann
Attorney, Agent, or Firm—H. Dale Palmatier

[57] CLAIM

The ornamental design for a fruit juice extractor, as shown and described.

DESCRIPTION

FIG. 1 is a top perspective view of a fruit juice extractor showing my new design;

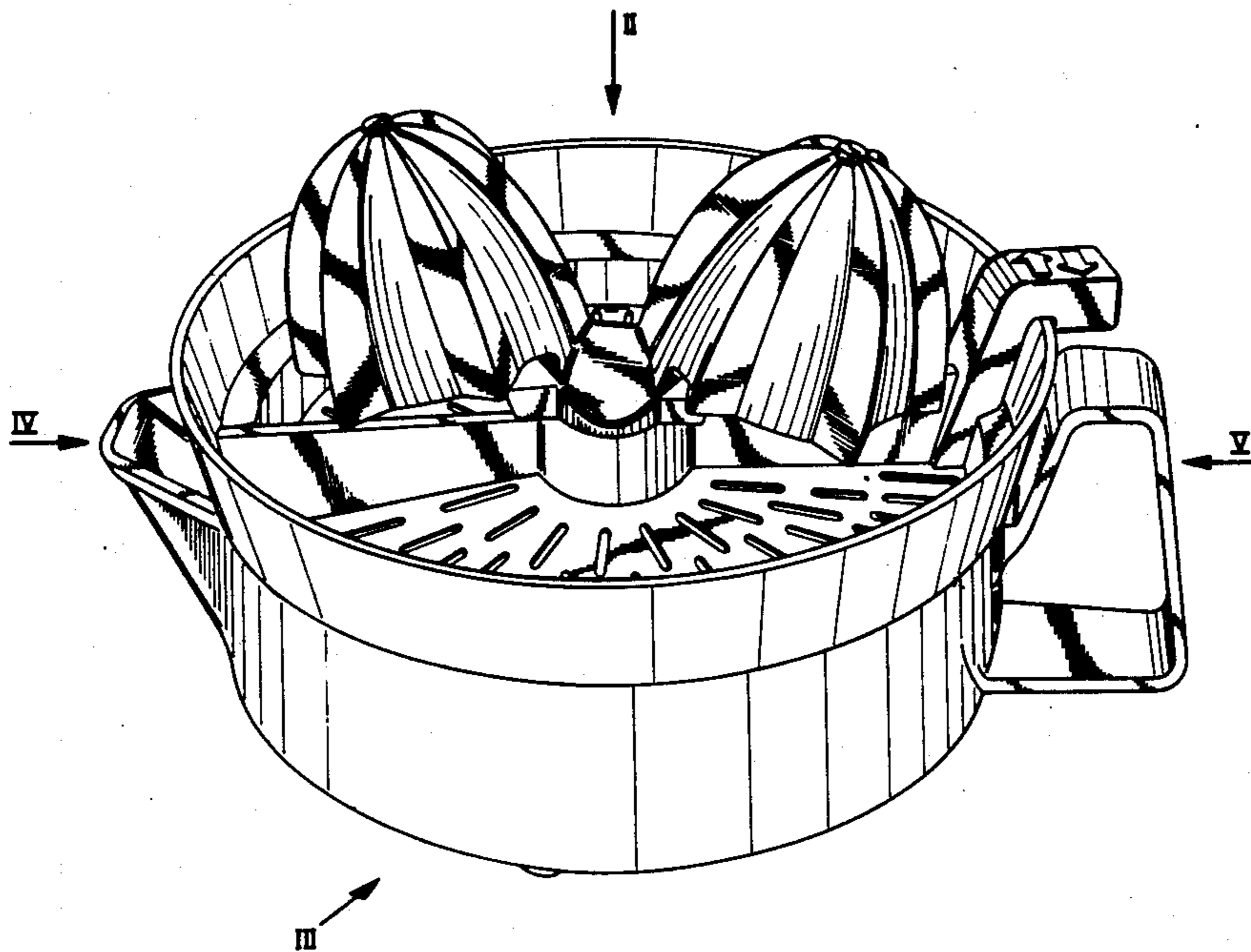
FIG. 2 is a top plan view thereof taken in the direction of line II on FIG. 1;

FIG. 3 is a side elevational view thereof taken in the direction of line III on FIG. 1;

FIG. 4 is a front elevational view thereof taken in the direction of line IV on FIG. 1; and

FIG. 5 is a rear elevational view thereof taken in the direction of line V on FIG. 1.

The bottom is flat and unornamented except for the four protruding cylindrical feet.



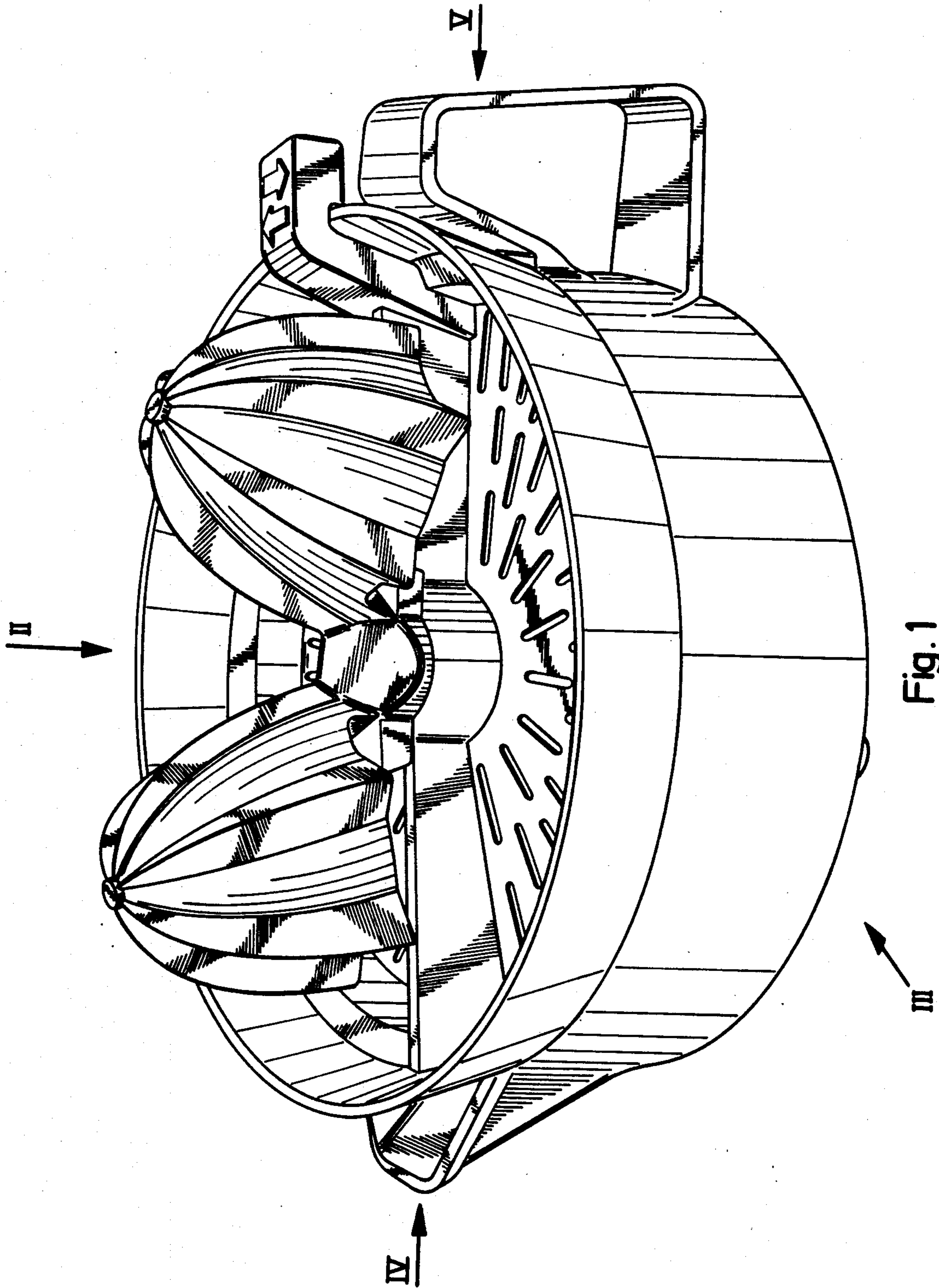


Fig. 1

Fig. 2

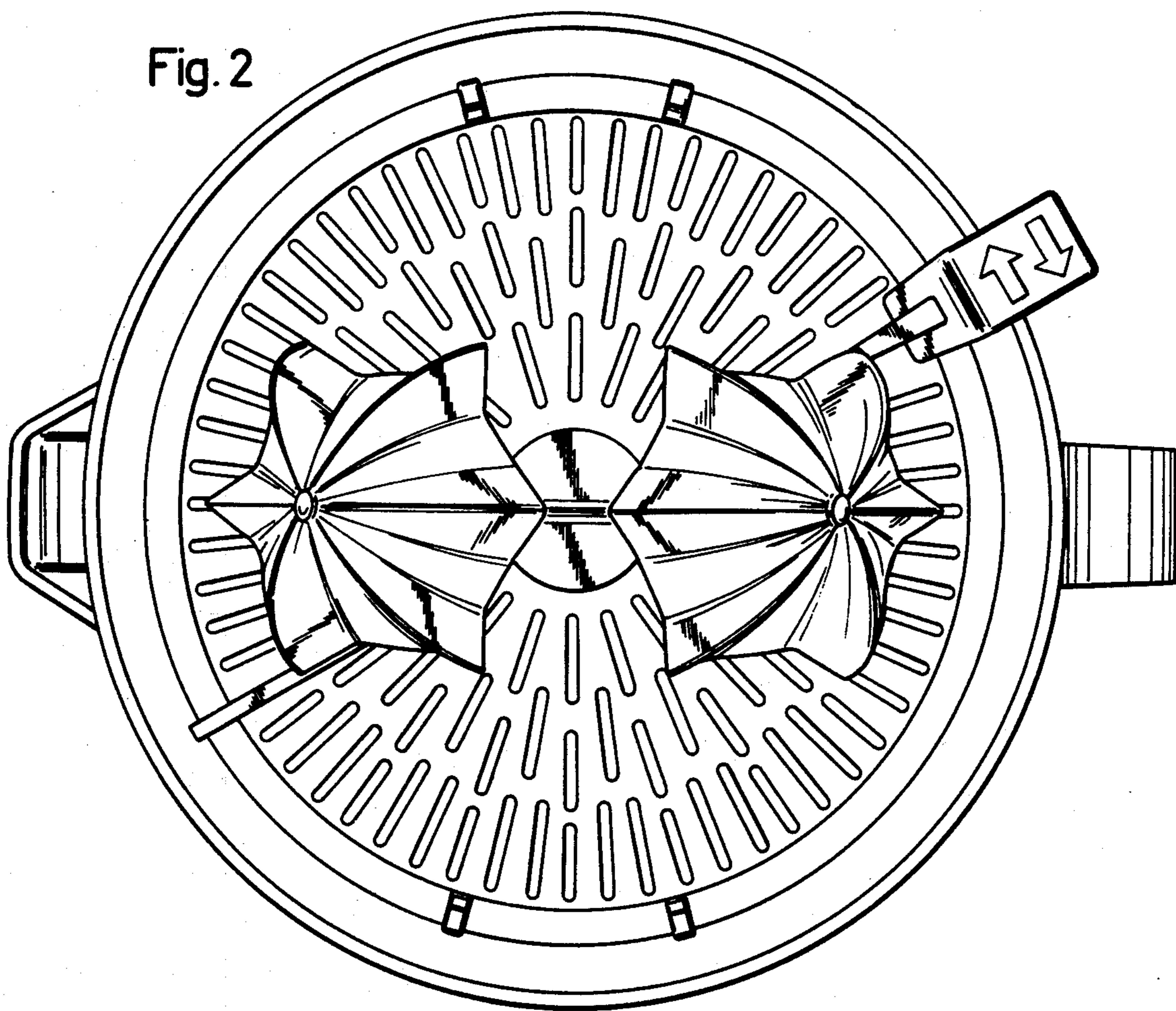


Fig. 3

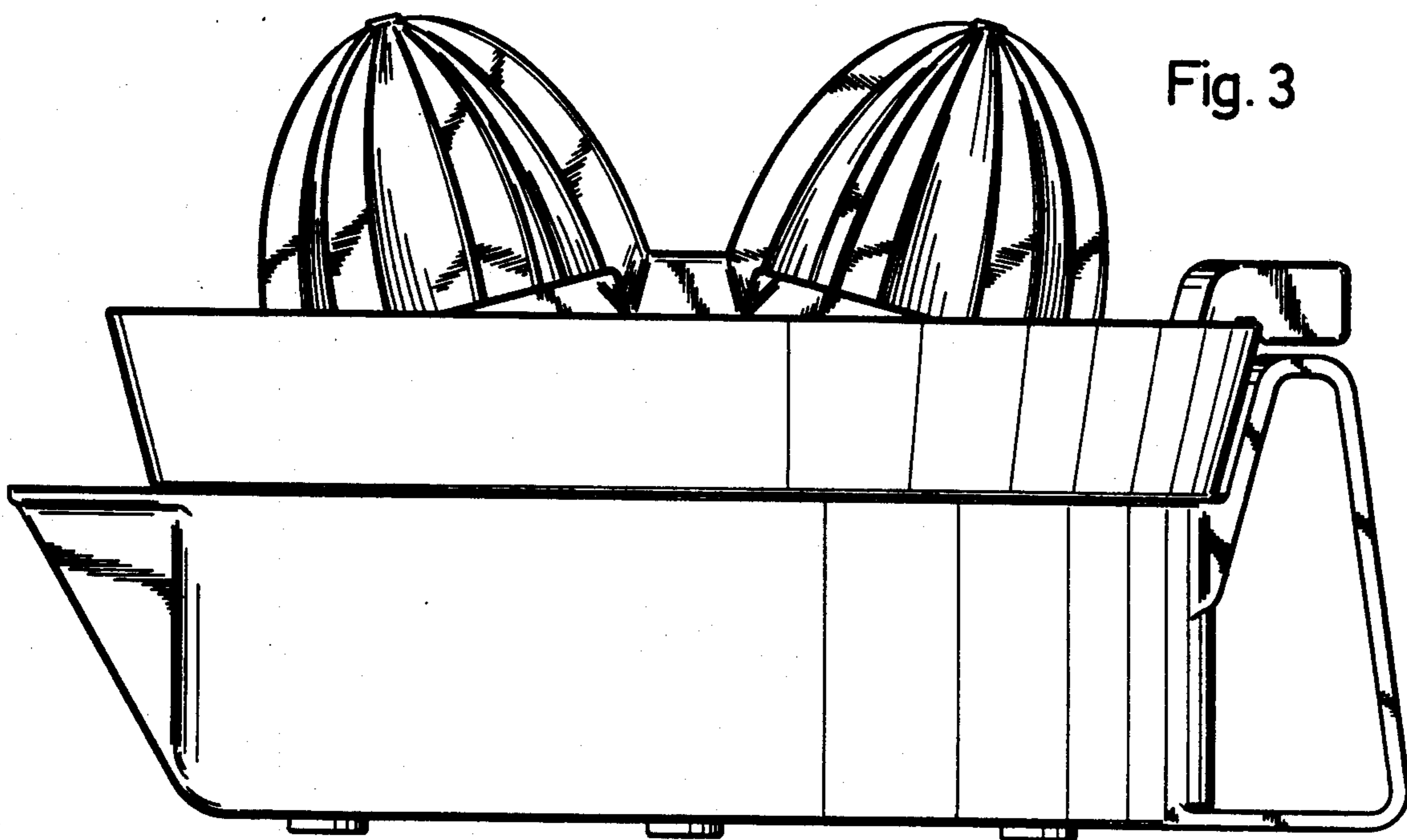


Fig. 4

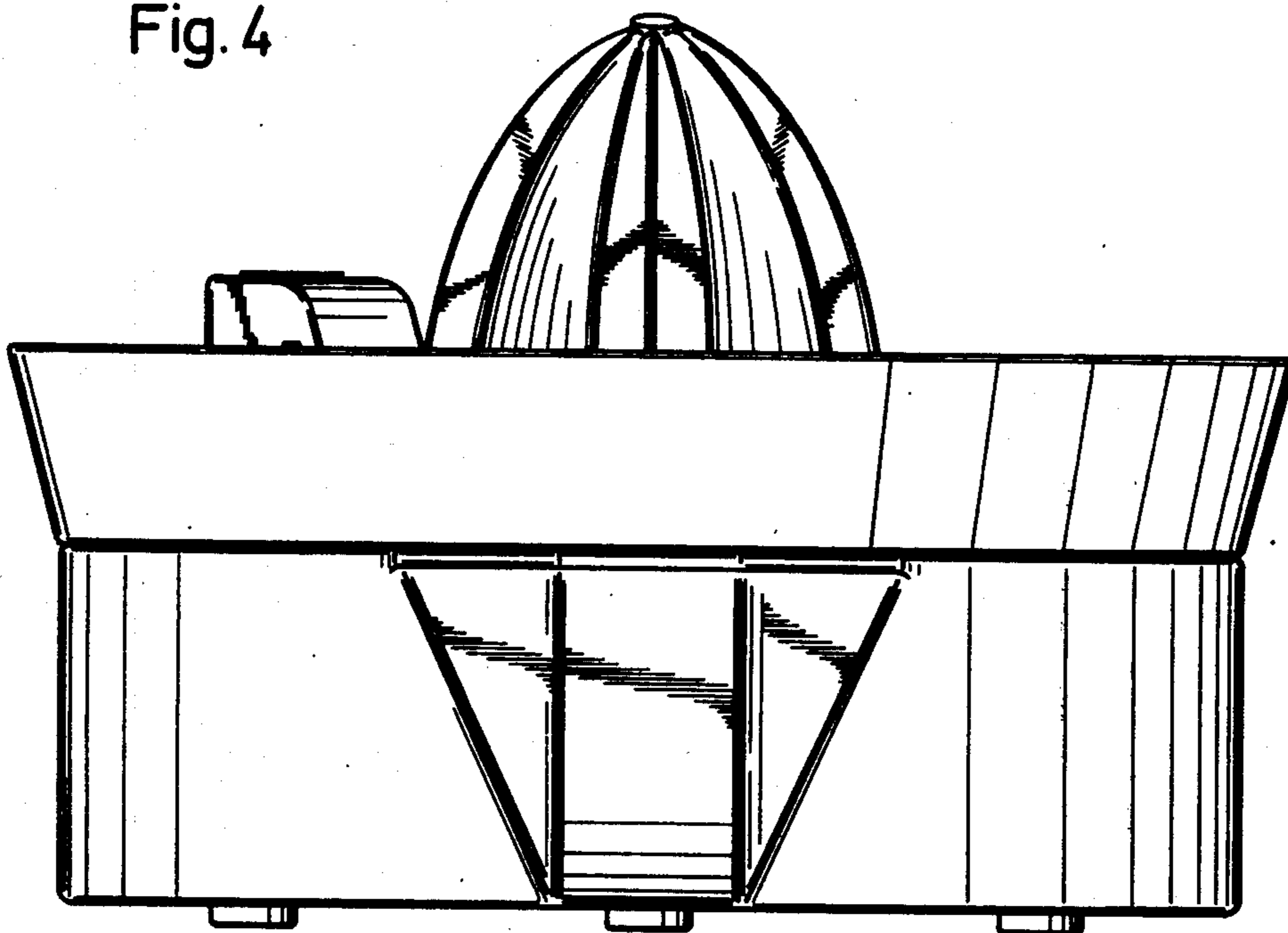


Fig. 5

