

[54] SUPPORT FOR FLOWER POT OR THE LIKE

[76] Inventor: **Ralph E. Bosler**, 4149 West Port au Prince, Phoenix, Ariz. 85023

[**] Term: **14 Years**

[21] Appl. No.: **794,638**

[22] Filed: **May 6, 1977**

[51] Int. Cl. **D21-01**

[52] U.S. Cl. **D6/182; D6/153; D21/129**

[58] Field of Search **D34/15 MM, 15 AJ; D12/36, 37, 38, 39; D6/153, 182; 46/216, 217, 218**

[56] **References Cited**

U.S. PATENT DOCUMENTS

D. 240,544 7/1976 Howard **D34/15 MM**

FOREIGN PATENT DOCUMENTS

148913 4/1904 Fed. Rep. of Germany 46/218
1006610 2/1948 France 46/218

OTHER PUBLICATIONS

Kilbourne & Jacobs Mfg. Cat., 1950, p. 12, Class E, Two-Way Dump Steam Shovel Car.

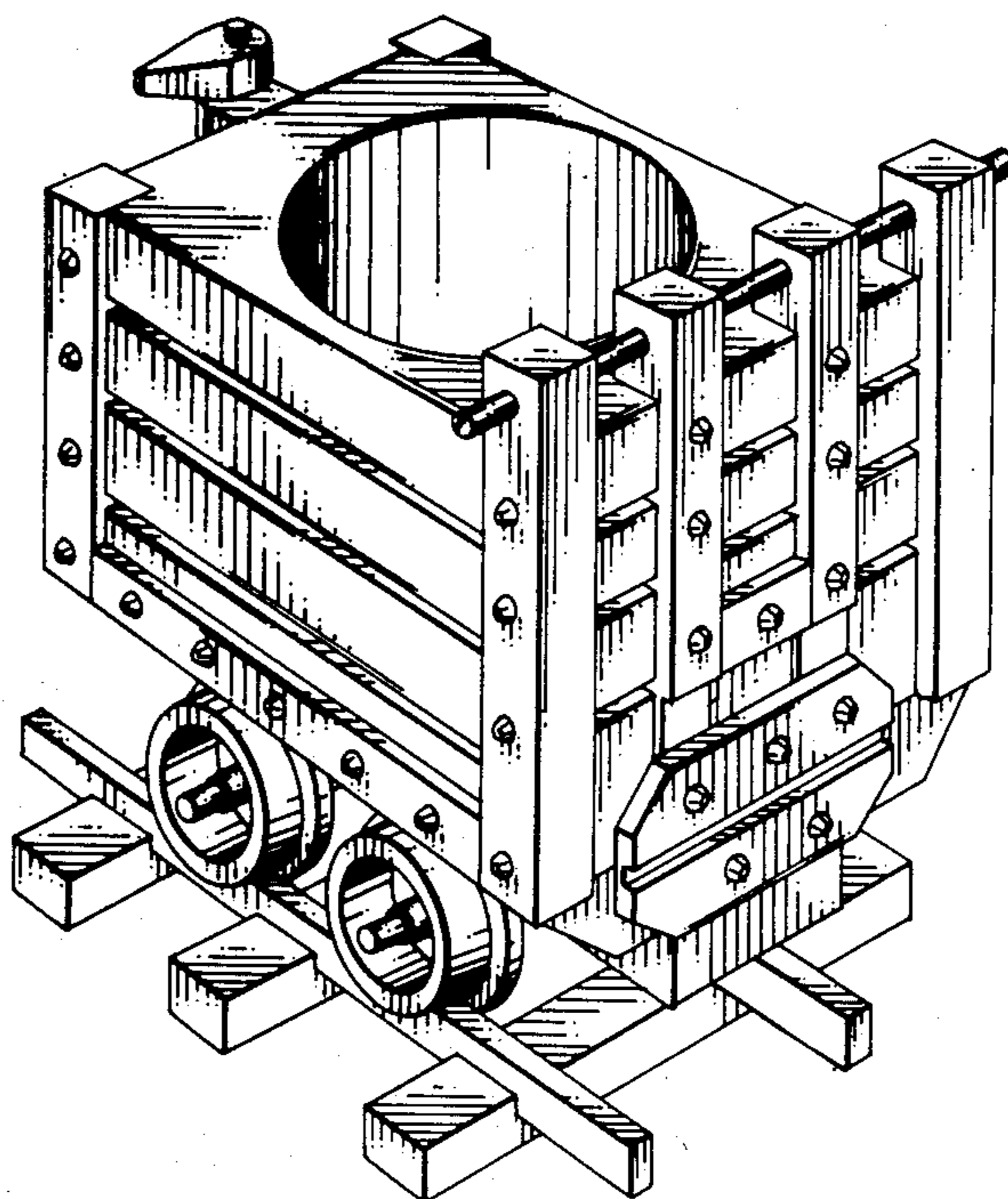
Primary Examiner—Bruce W. Dunkins
Assistant Examiner—C. A. Rademaker
Attorney, Agent, or Firm—Warren F. B. Lindsley

[57] **CLAIM**

The ornamental design for a support for flower pot or the like, as shown and described.

DESCRIPTION

FIG. 1 is a perspective view of a support for flower pot or the like showing my new design;
FIG. 2 is a front elevational view thereof;
FIG. 3 is a bottom perspective view thereof;
FIG. 4 is a top plan view thereof.



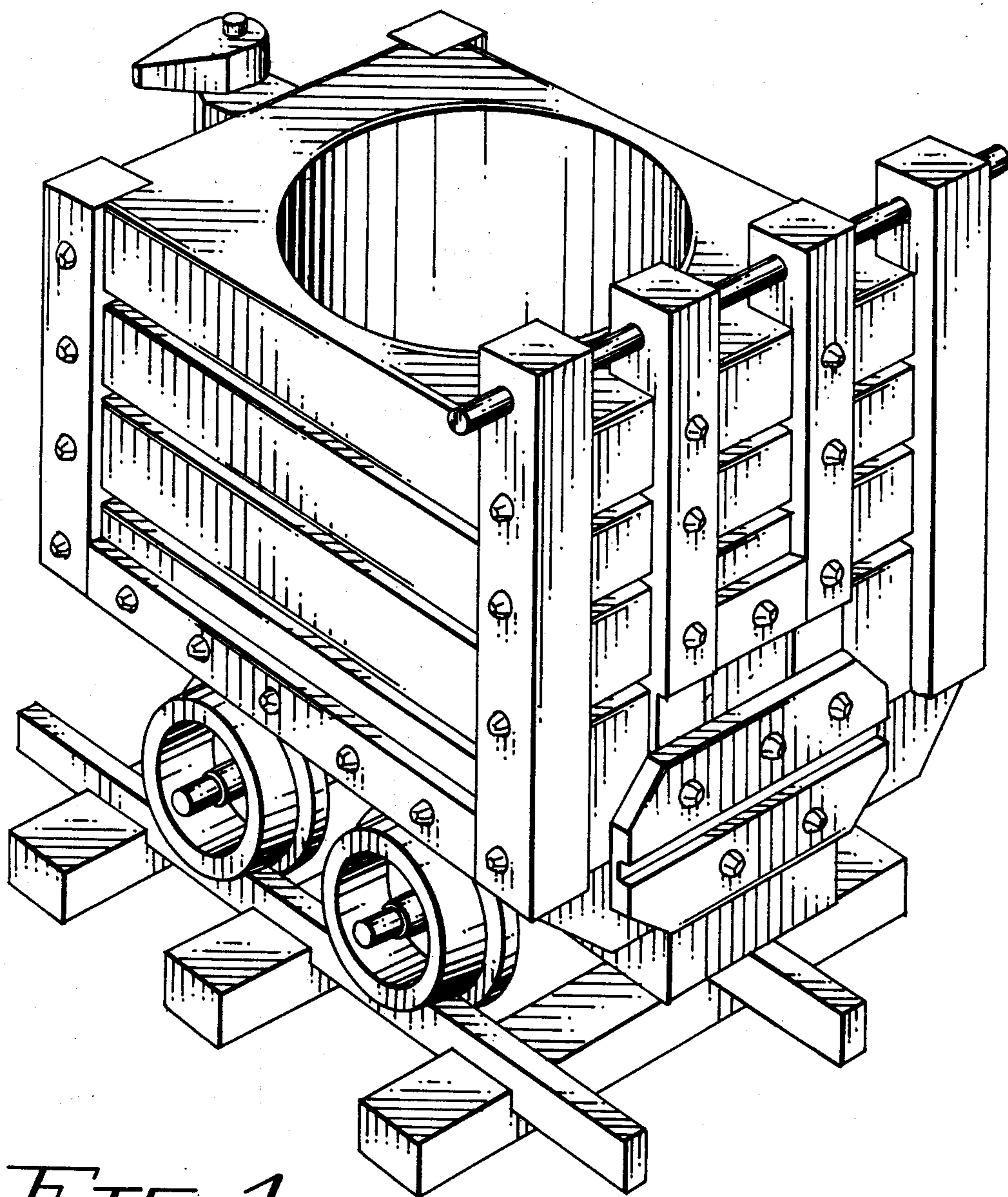


FIG. 1

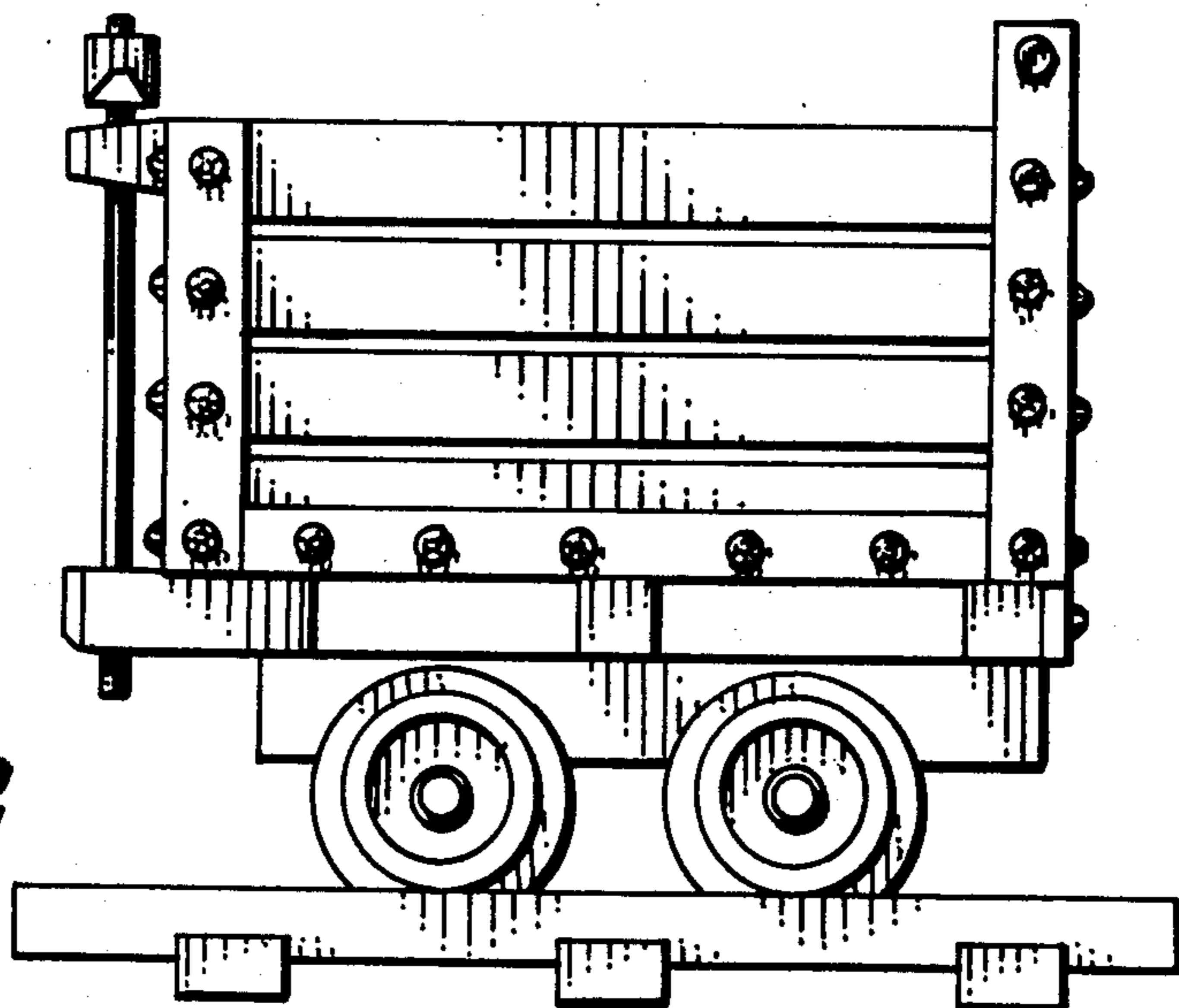


FIG. 2

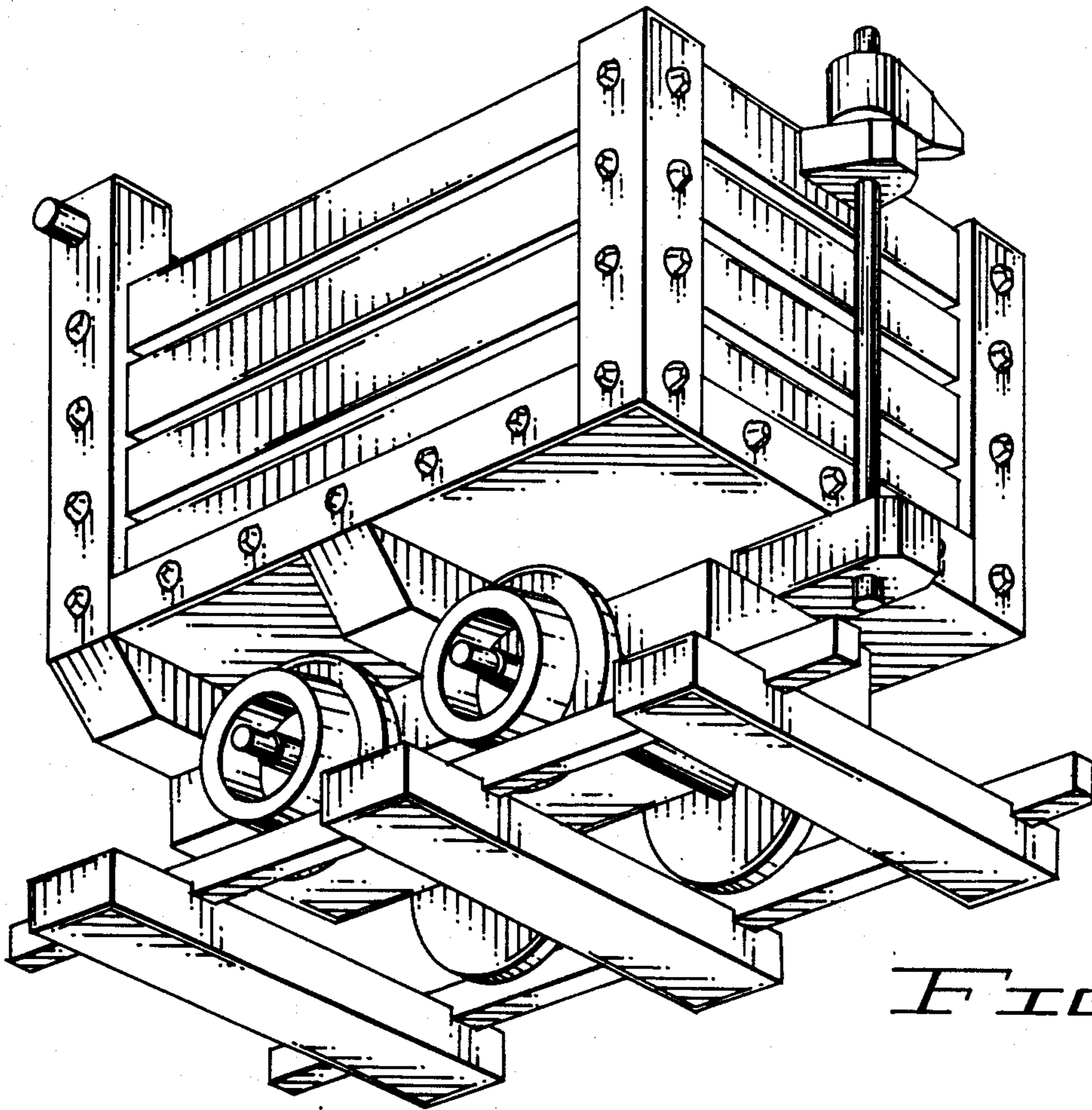


FIG. 3

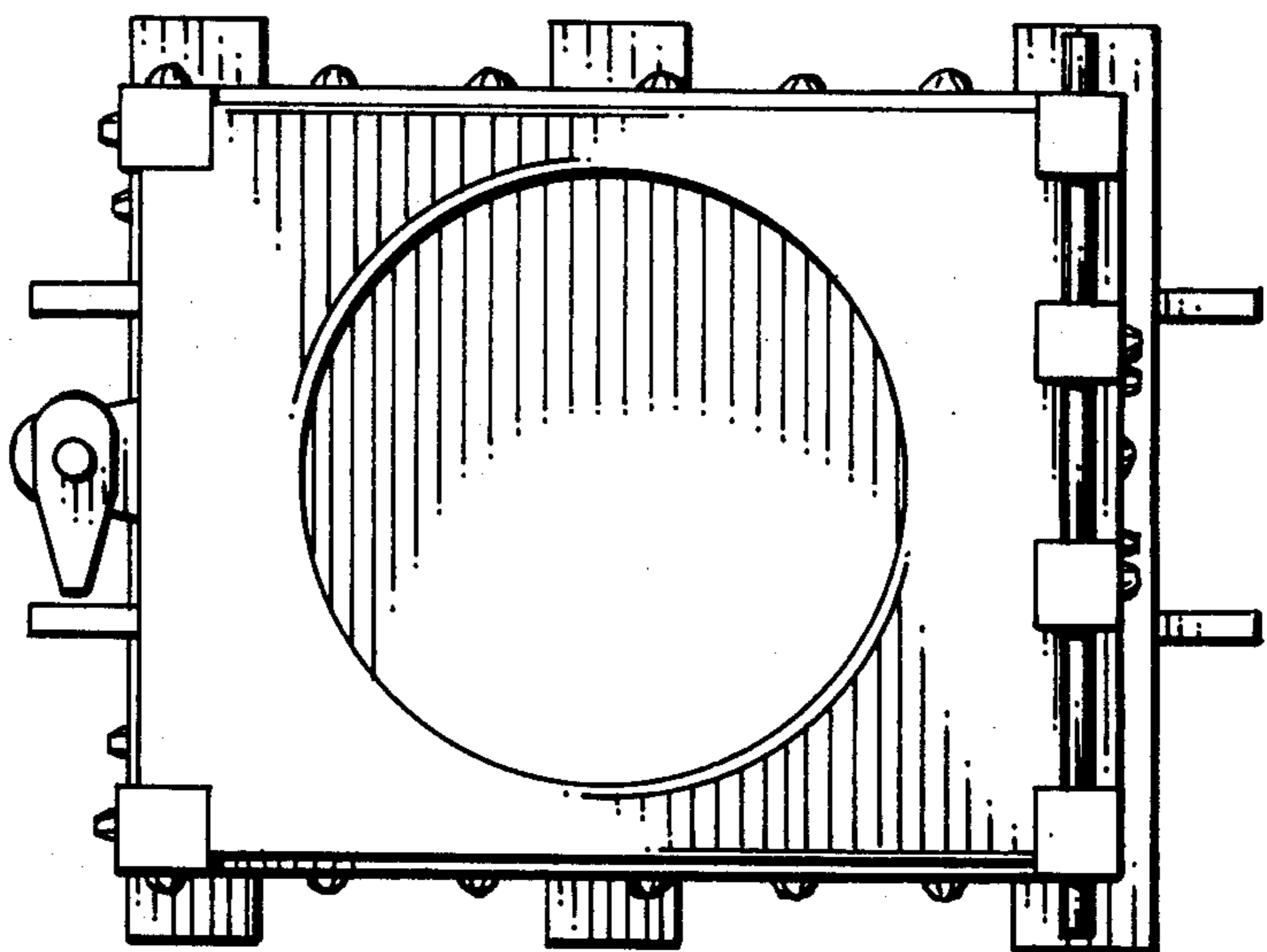


FIG. 4