

[54] WINE BUCKET HOLDER

[76] Inventor: **Ralph A. Dark**, 27619 Summerfield,
San Juan Capistrano, Calif. 92675

[**] Term: **14 Years**

[21] Appl. No.: **846,309**

[22] Filed: **Oct. 28, 1977**

[51] Int. Cl. **D6-04**

[52] U.S. Cl. **D6/113; D6/114;
D6/125**

[58] Field of Search **D6/114, 125, 129, 130,
D6/132, 134, 136, 137, 113; D7/70; D8/363,
366, 373, 380, 381; 211/60 R, 75, 87, 90;
248/309 R, 310, 311.1, 312, 315**

[56]

References Cited

U.S. PATENT DOCUMENTS

D. 236,051	7/1975	Opincar	D6/137
1,006,513	10/1911	Tyreman	D6/137
2,628,054	2/1953	Fazakerley	D7/70

OTHER PUBLICATIONS

Grammes Cat. 66, ©1941, p. 36, Handle Loop No. 33774.

Primary Examiner—Wallace R. Burke

Assistant Examiner—B. J. Bullock

Attorney, Agent, or Firm—Louis J. Knobbe

[57]

CLAIM

The ornamental design for a wine bucket holder, as shown.

DESCRIPTION

FIG. 1 is a top, front, right side perspective view of a wine bucket holder showing my new design;
FIG. 2 is a bottom, rear, left side perspective view thereof.

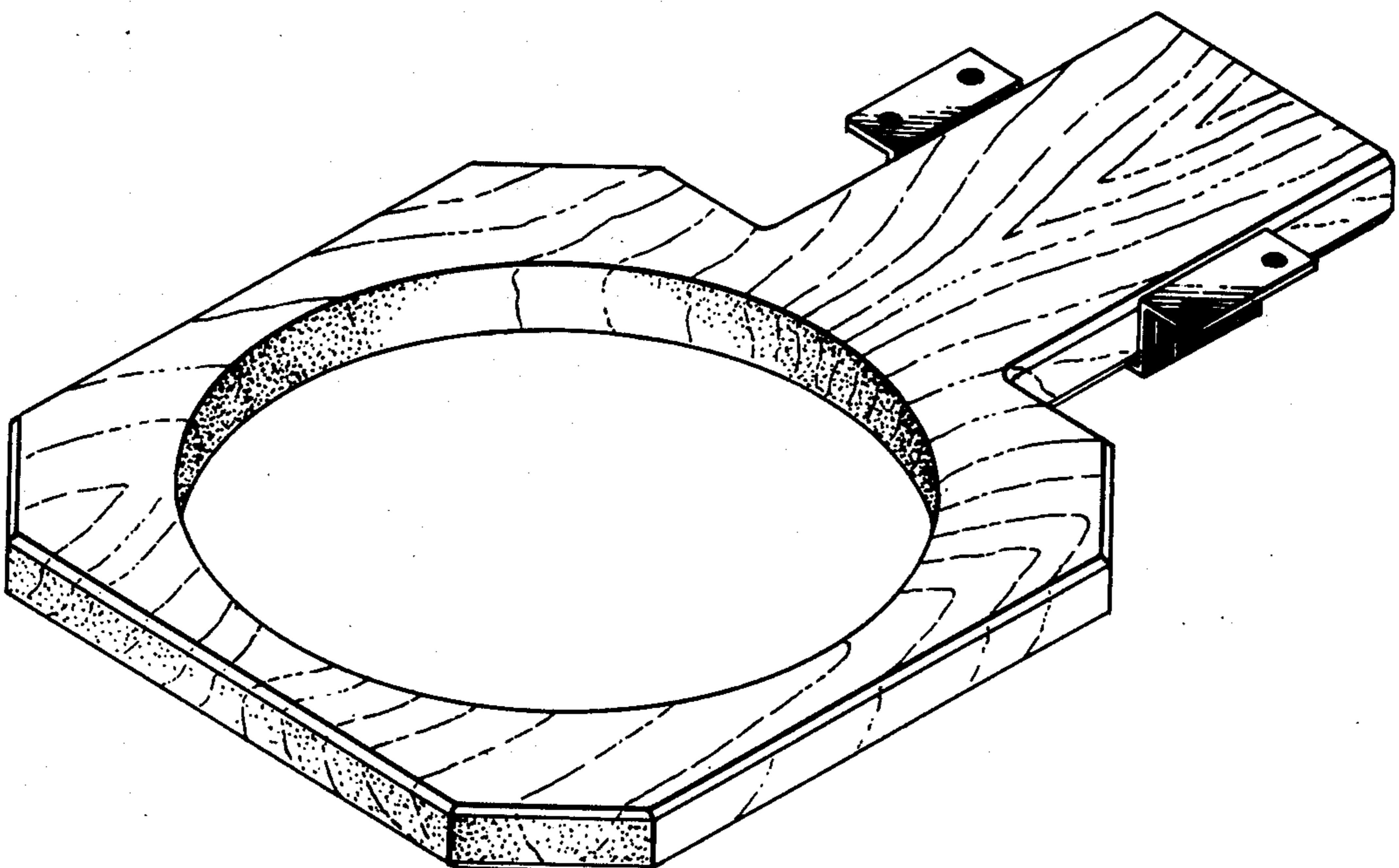


FIG. 1.

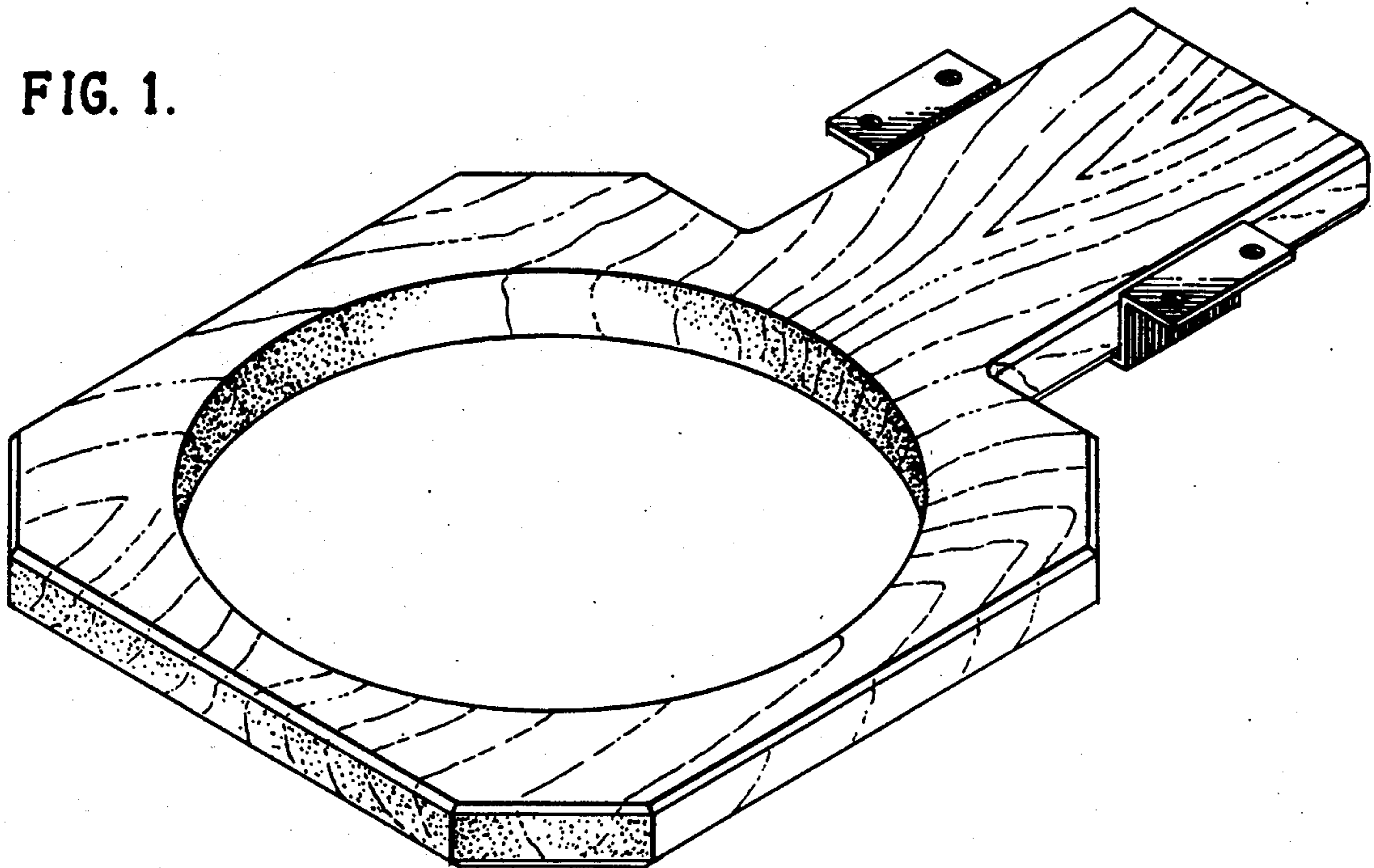


FIG. 2.

