

[54] FIREPLACE STOVE

[76] Inventor: Ernest C. Zimmer, R.D. #2,
Wellsburg, N.Y. 14894

[**] Term: 14 Years

[21] Appl. No.: 833,010

[22] Filed: Sep. 13, 1977

[51] Int. Cl. D23—03

[52] U.S. Cl. D23/97

[58] Field of Search D23/72, 86, 89, 92,
D23/93, 94, 97, 105, 107, 108, 127, 128;
D7/112, 113, 114; 126/4, 6, 58, 59, 60, 62, 65,
120, 121, 123, 126, 138, 190, 200, 211, 217

[56]

References Cited

U.S. PATENT DOCUMENTS

D. 172,930 8/1954 Kosmak D23/97
D. 237,084 10/1975 Collver D23/97
607,793 7/1898 Brien et al. D23/92 X

Primary Examiner—Wallace R. Burke
Assistant Examiner—Catherine Kemper
Attorney, Agent, or Firm—John F. Smith

[57]

CLAIM

The ornamental design for a fireplace stove, substantially as shown and described.

DESCRIPTION

FIG. 1 is a front perspective view of a fireplace stove, showing my new design;
FIG. 2 is a right side elevational view thereof;
FIG. 3 is a rear elevational view thereof;
FIG. 4 is a top plan view thereof; and
FIG. 5 is a bottom plan view thereof.

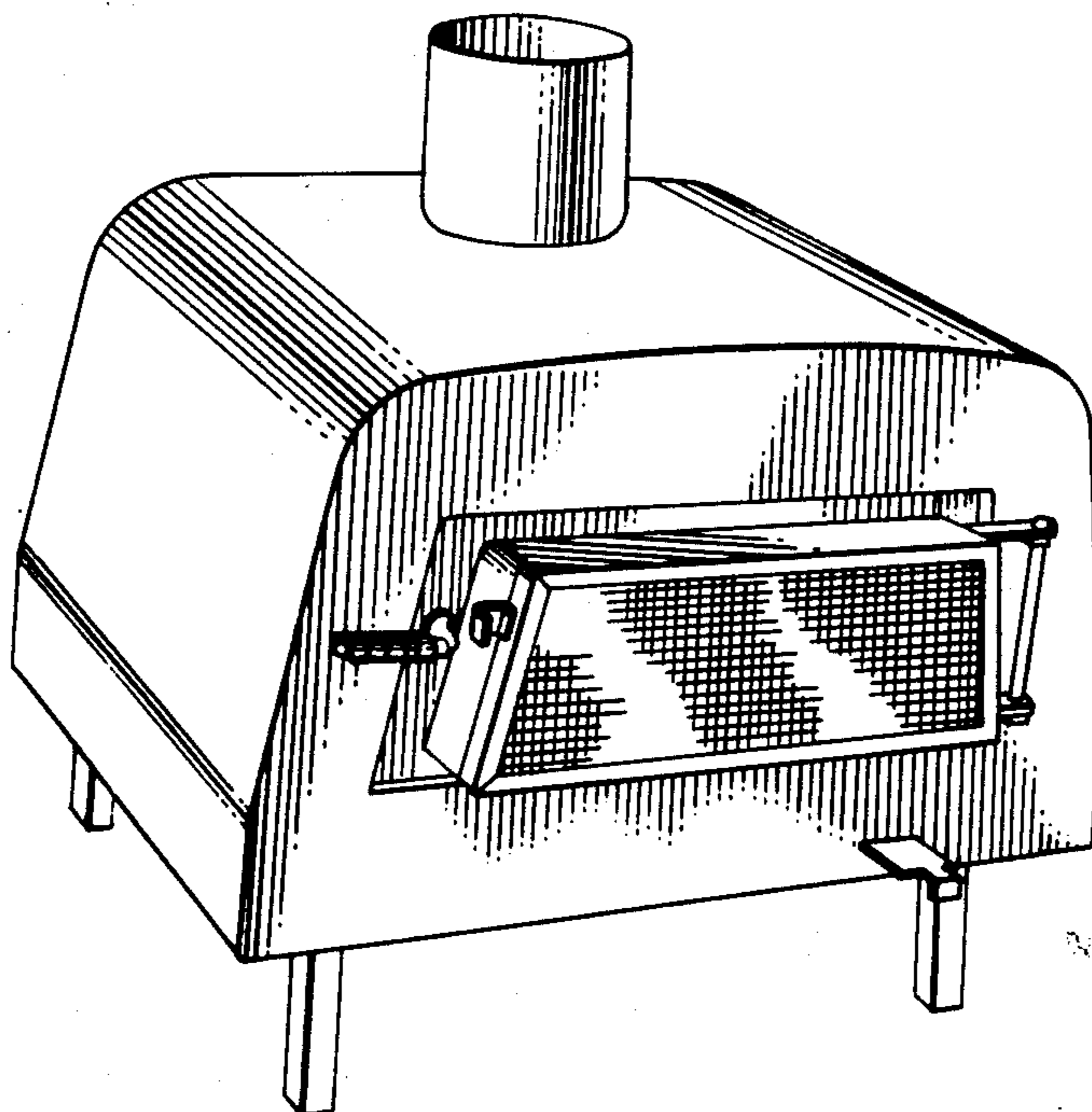


FIG. 1.

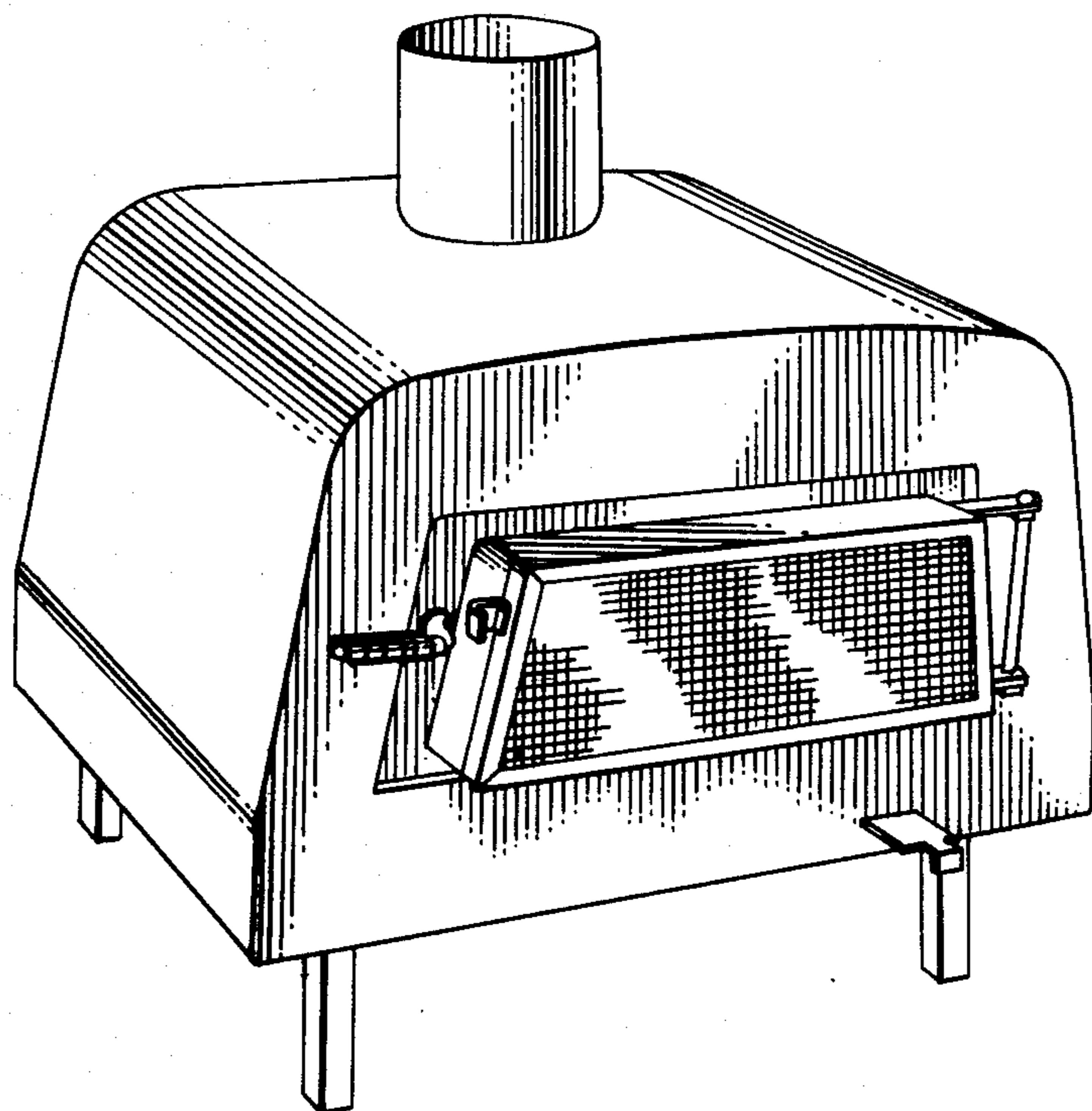


FIG. 2.

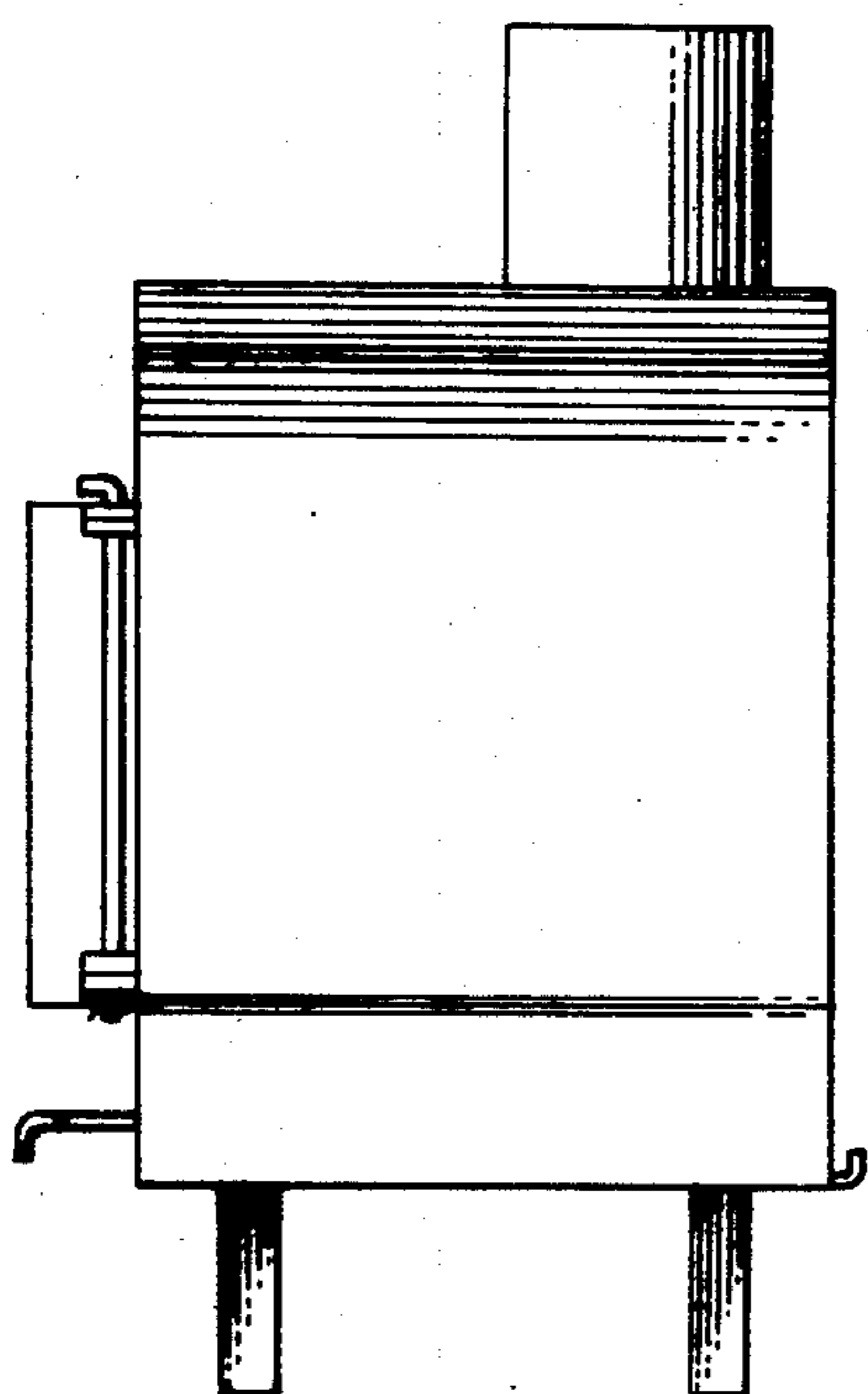


FIG. 3.

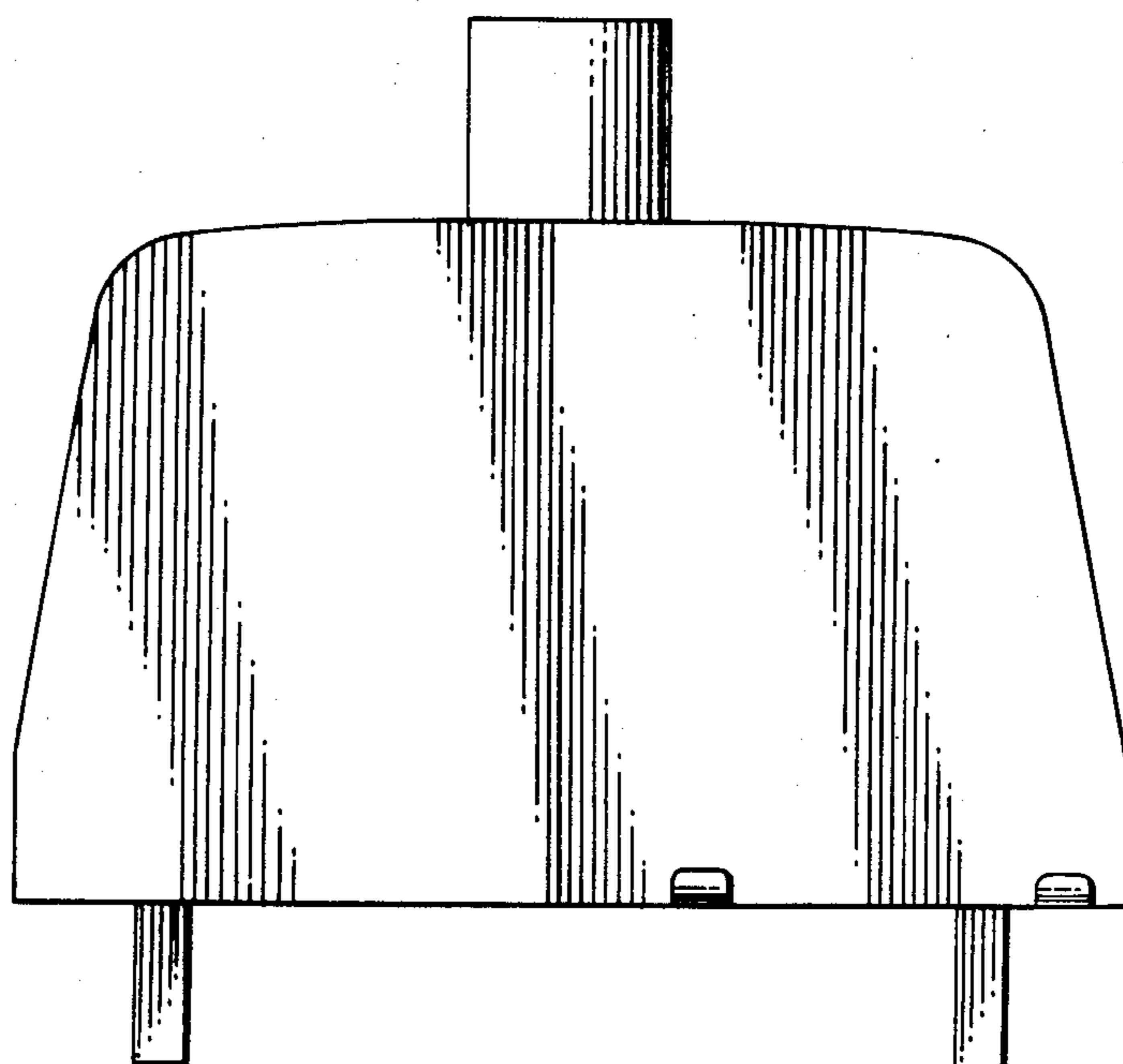


FIG. 4.

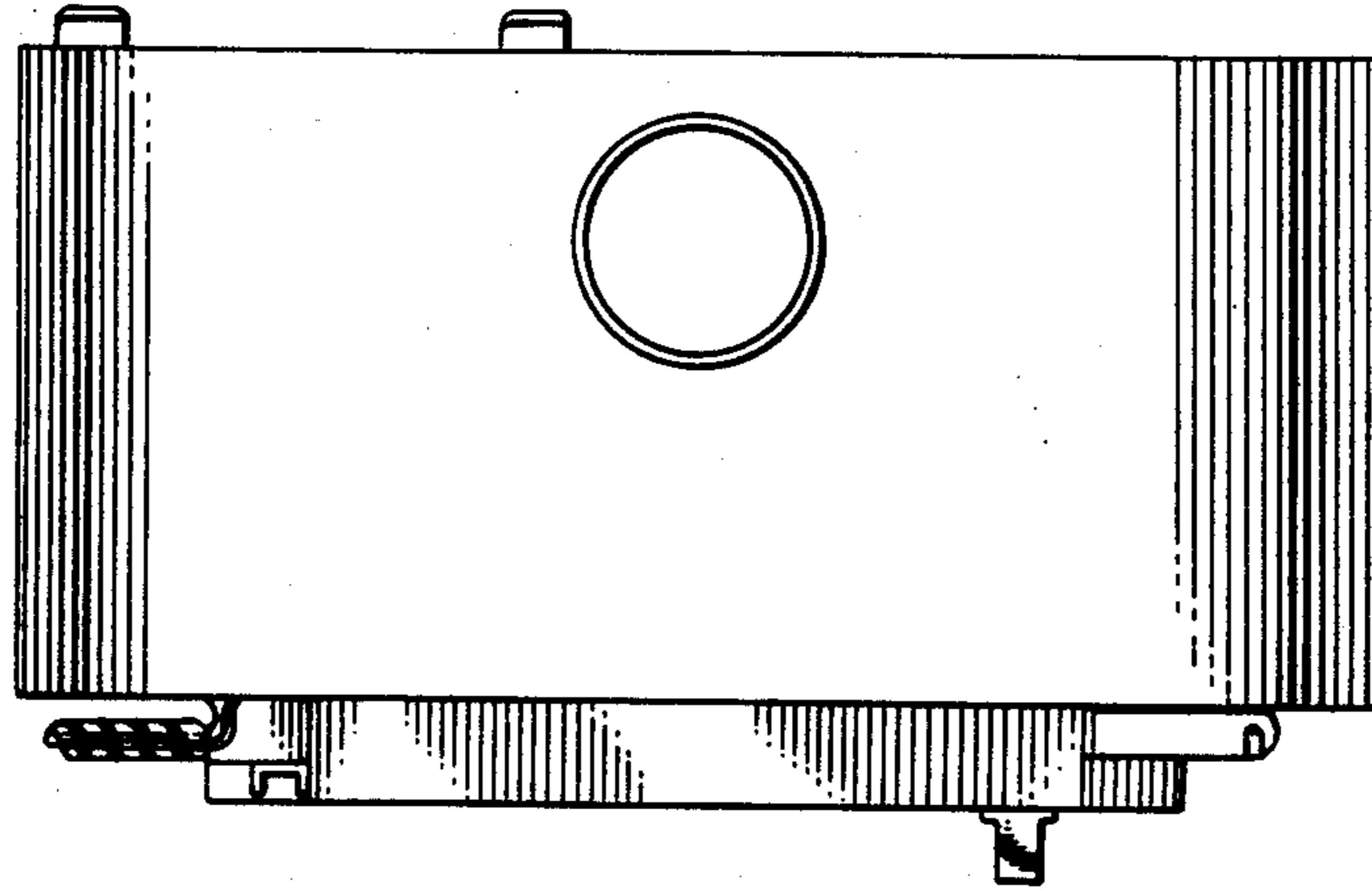


FIG. 5.

