

[54] FILTER

[76] Inventor: **Jordi Casamitjana**, 3a. Cerrada de Camino de Minas No. 139, Lomas de Becerra, Mexico, 18, D. F.

[\*\*] Term: **14 Years**

[21] Appl. No.: **749,498**

[22] Filed: **Dec. 10, 1976**

[51] Int. Cl. .... **D23—01**

[52] U.S. Cl. .... **D23/4**

[58] Field of Search ..... **D23/1-4;**  
**210/136, 238, 444, 446-448**

[56] **References Cited**

**U.S. PATENT DOCUMENTS**

1,705,042	3/1929	Babitch .....	D23/4 X
2,565,696	8/1951	Ketelsen .....	210/444 X
2,647,635	8/1953	Hove et al. ....	D23/4 X
2,894,606	7/1959	Veres .....	D23/4 X
3,883,428	5/1975	Waring .....	210/444
3,931,011	1/1976	Richards .....	210/136
4,017,397	4/1977	Copeland .....	210/238

*Primary Examiner*—James R. Largen  
*Attorney, Agent, or Firm*—Leonard J. Robbins

[57] **CLAIM**

The ornamental design for a filter, as shown.

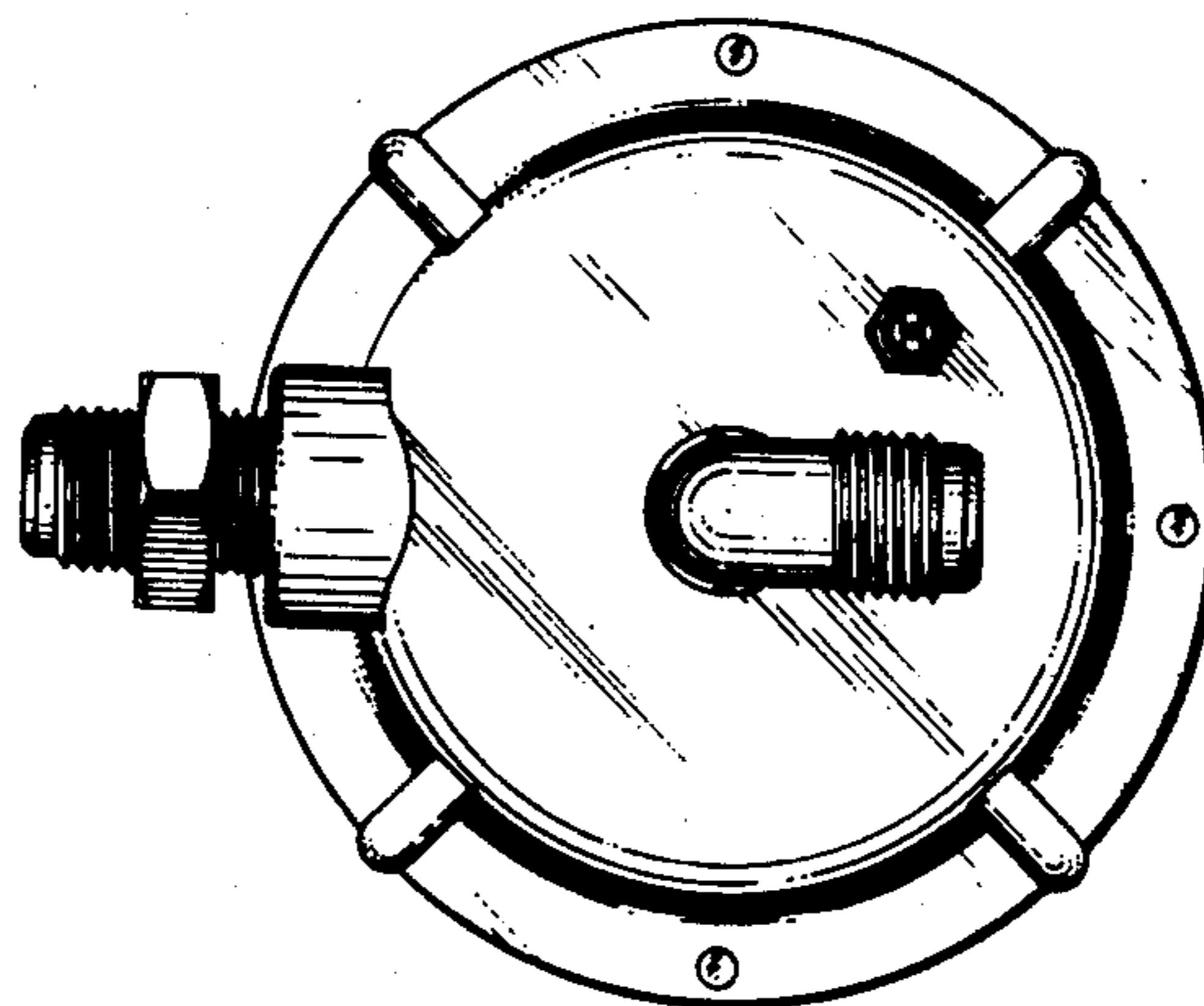
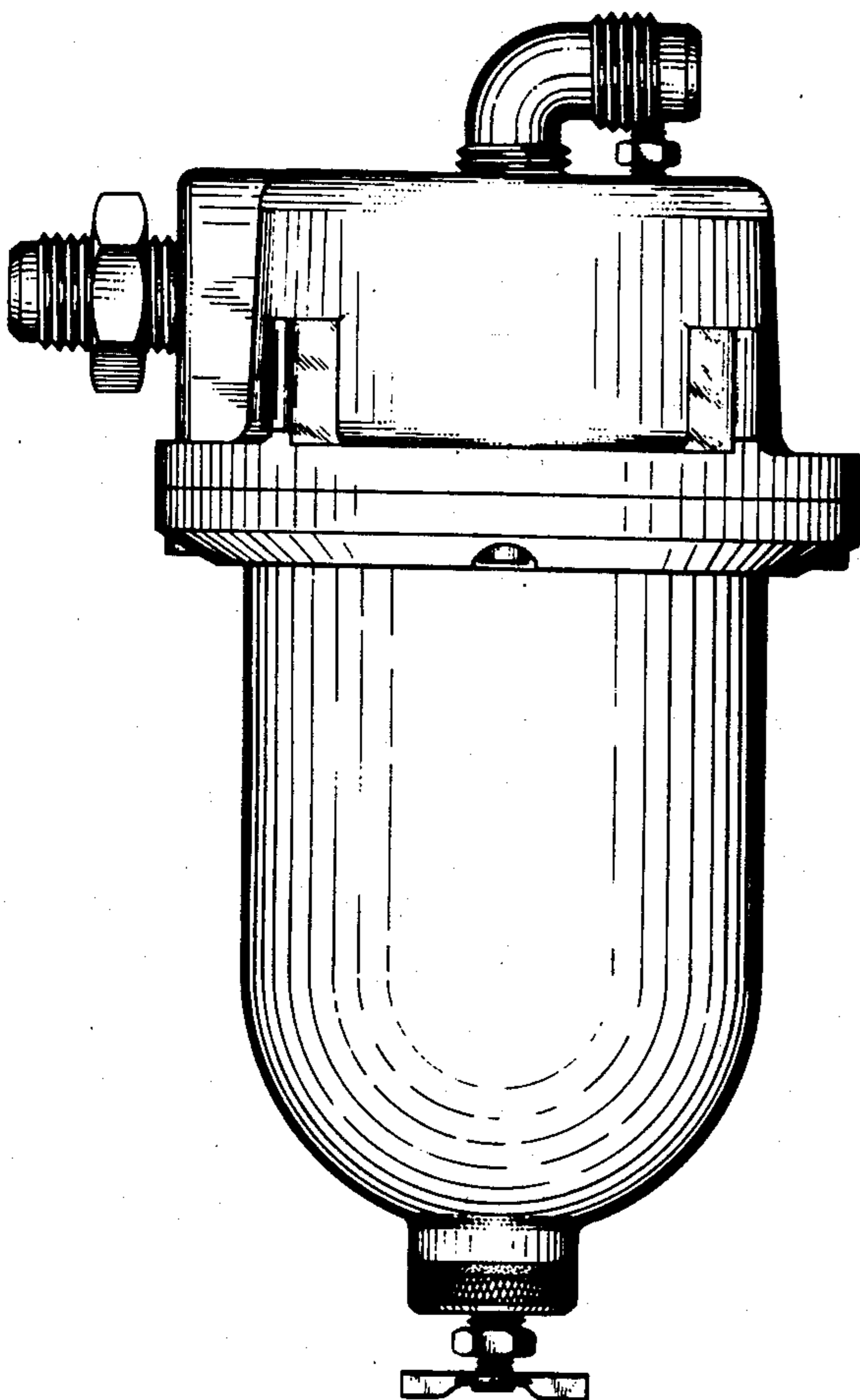
**DESCRIPTION**

FIG. 1 is a side elevational view of a filter showing my new design;

FIG. 2 is a rear elevational view thereof;

FIG. 3 is a top plan view thereof; and

FIG. 4 is a bottom plan view thereof.



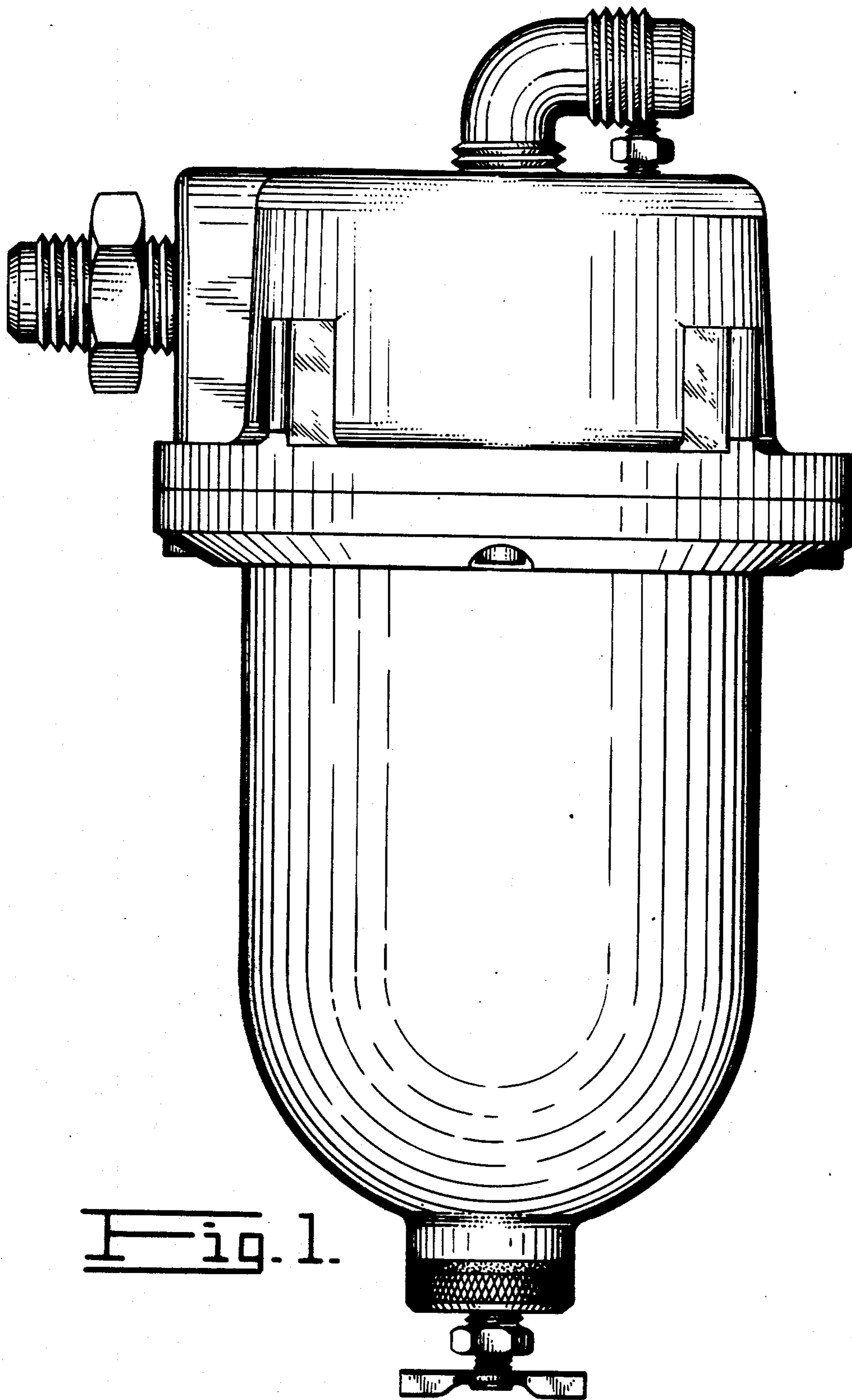


Fig. 1.

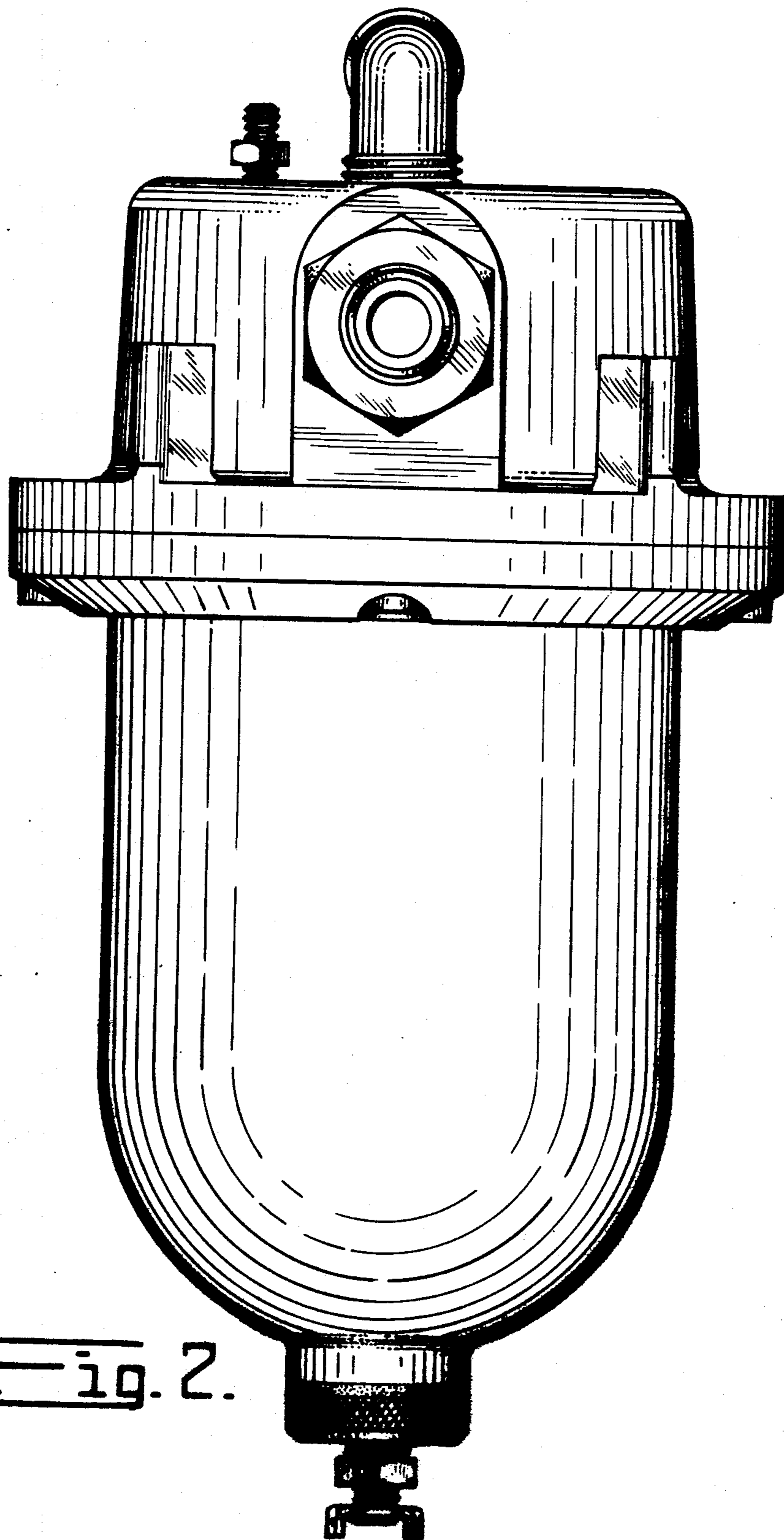


Fig. 2.

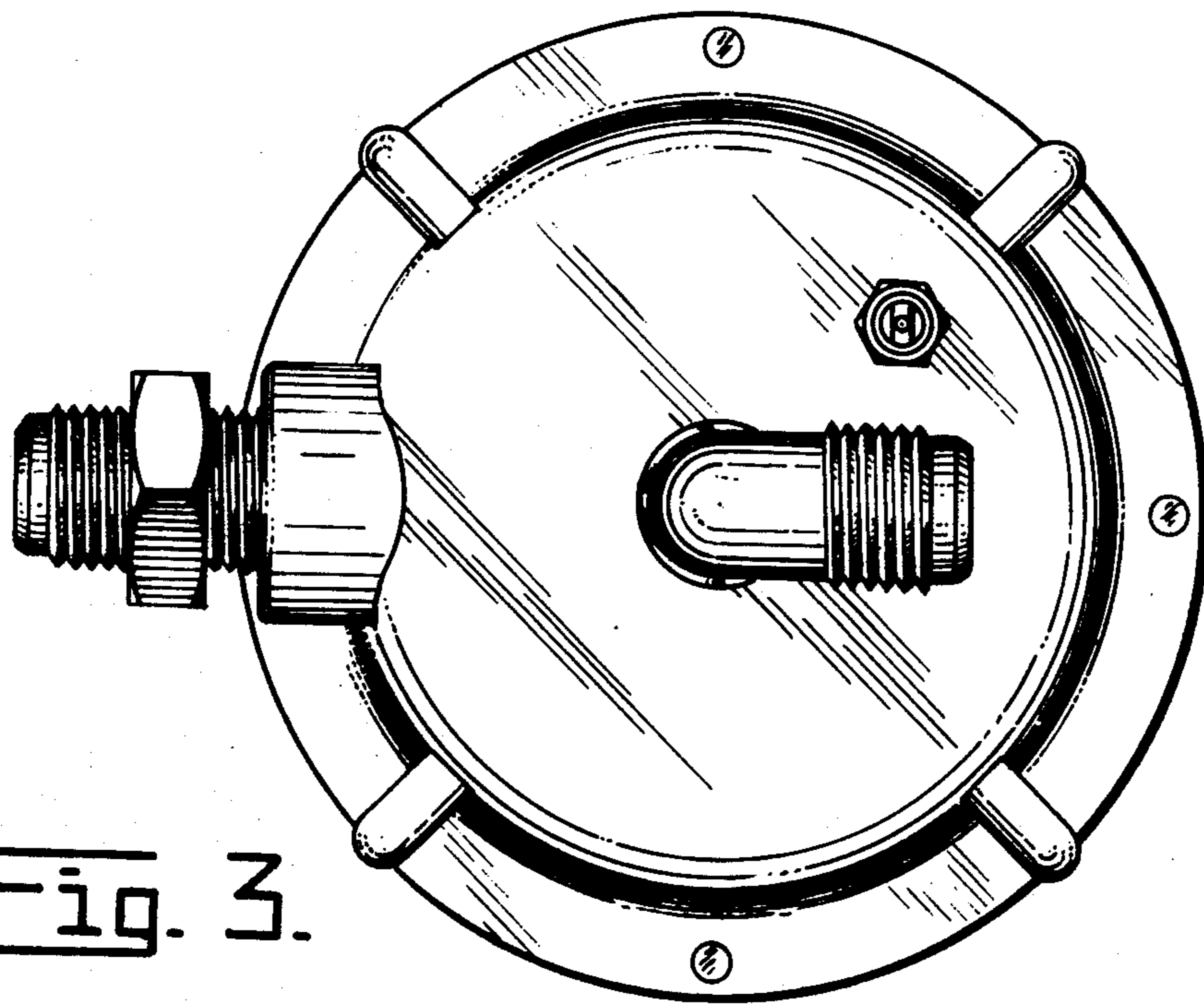


Fig. 3.

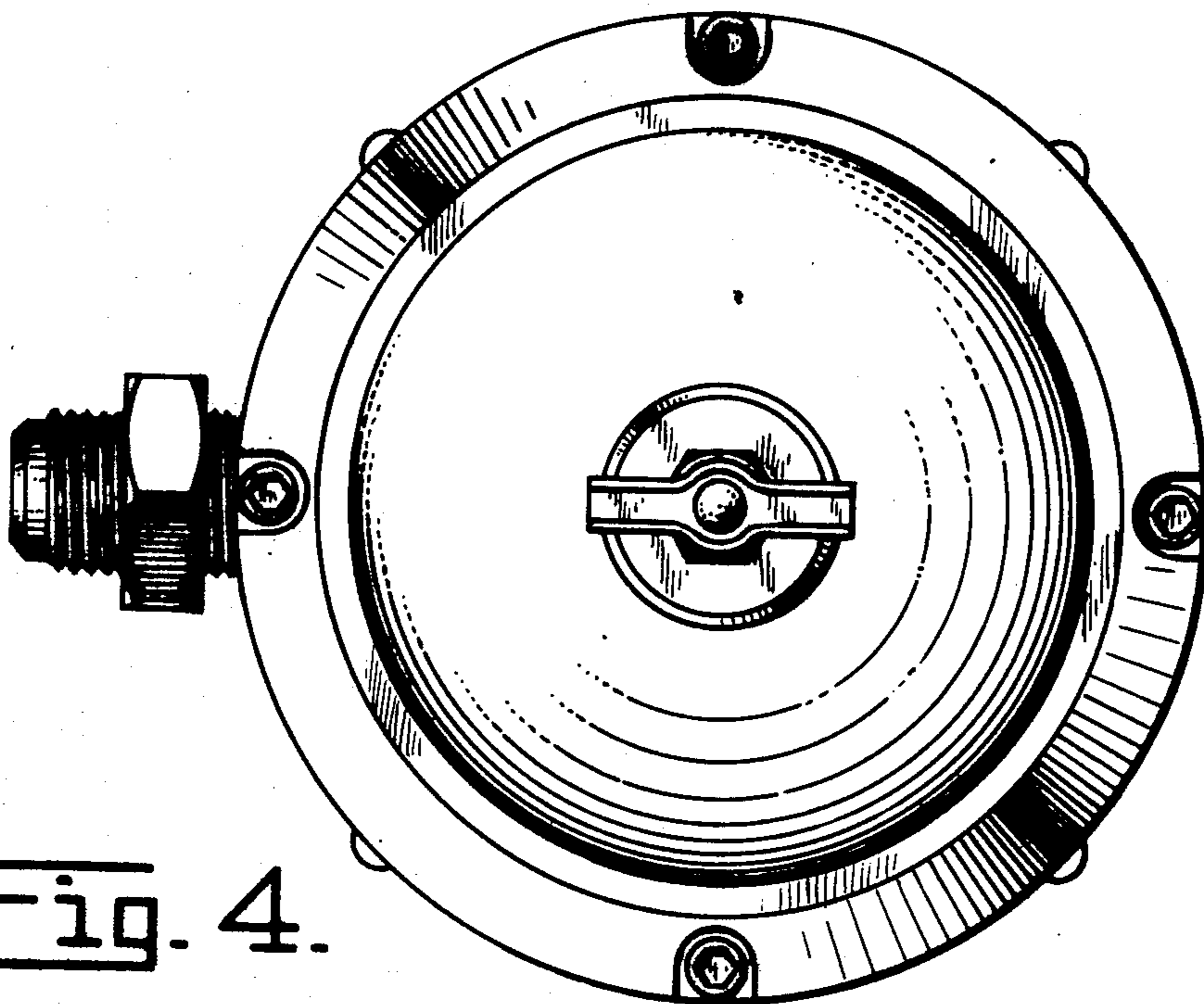


Fig. 4.