

[54] POTTER'S WHEEL

[76] Inventor: John S. Doyel, 404 W. 20th St., New York, N.Y. 10011

[\*\*] Term: 14 Years

[21] Appl. No.: 807,595

[22] Filed: Jun. 17, 1977

[51] Int. Cl. .... D15-09

[52] U.S. Cl. .... D19/35; D15/130; D15/135

[58] Field of Search ..... D19/35; 425/459; D15/130, 135

[56] References Cited

U.S. PATENT DOCUMENTS

D. 245,009	7/1977	Ebstein .....	D19/35
3,894,830	7/1975	Edwards .....	425/459

OTHER PUBLICATIONS

CCM. Arts & Crafts, Inc. Cat. © 1971, p. 23, Item #5869, top left.

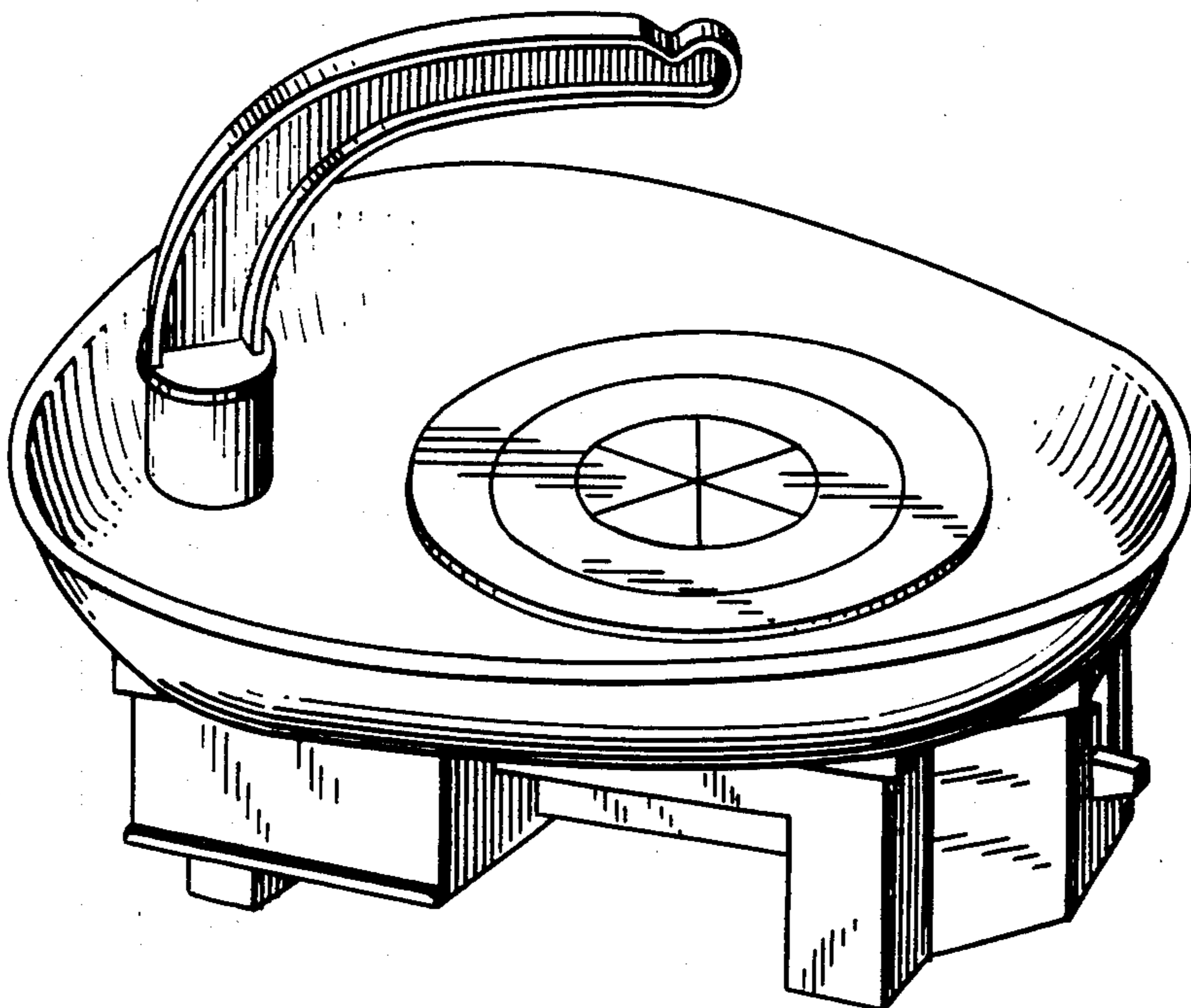
Primary Examiner—Joel Stearman  
Assistant Examiner—George P. Word  
Attorney, Agent, or Firm—Lester W. Clark

[57] CLAIM

The ornamental design for a potter's wheel, as shown and described.

DESCRIPTION

FIG. 1 is a perspective view of a potter's wheel showing my new design;  
FIG. 2 is a right side elevational view with the arm in an alternate position;  
FIG. 3 is a rear elevational view; and  
FIG. 4 is a bottom plan view.



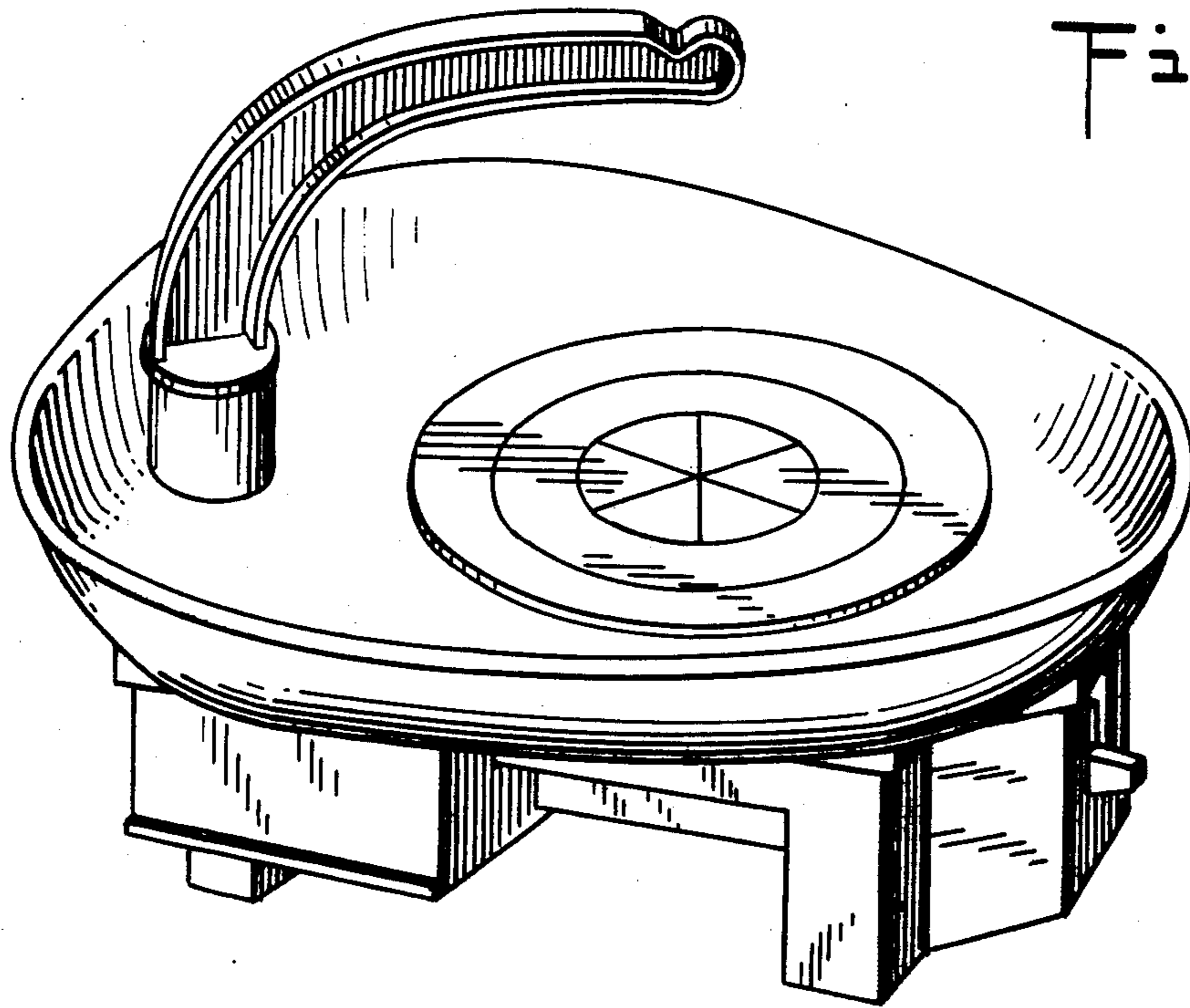


Fig. 1.

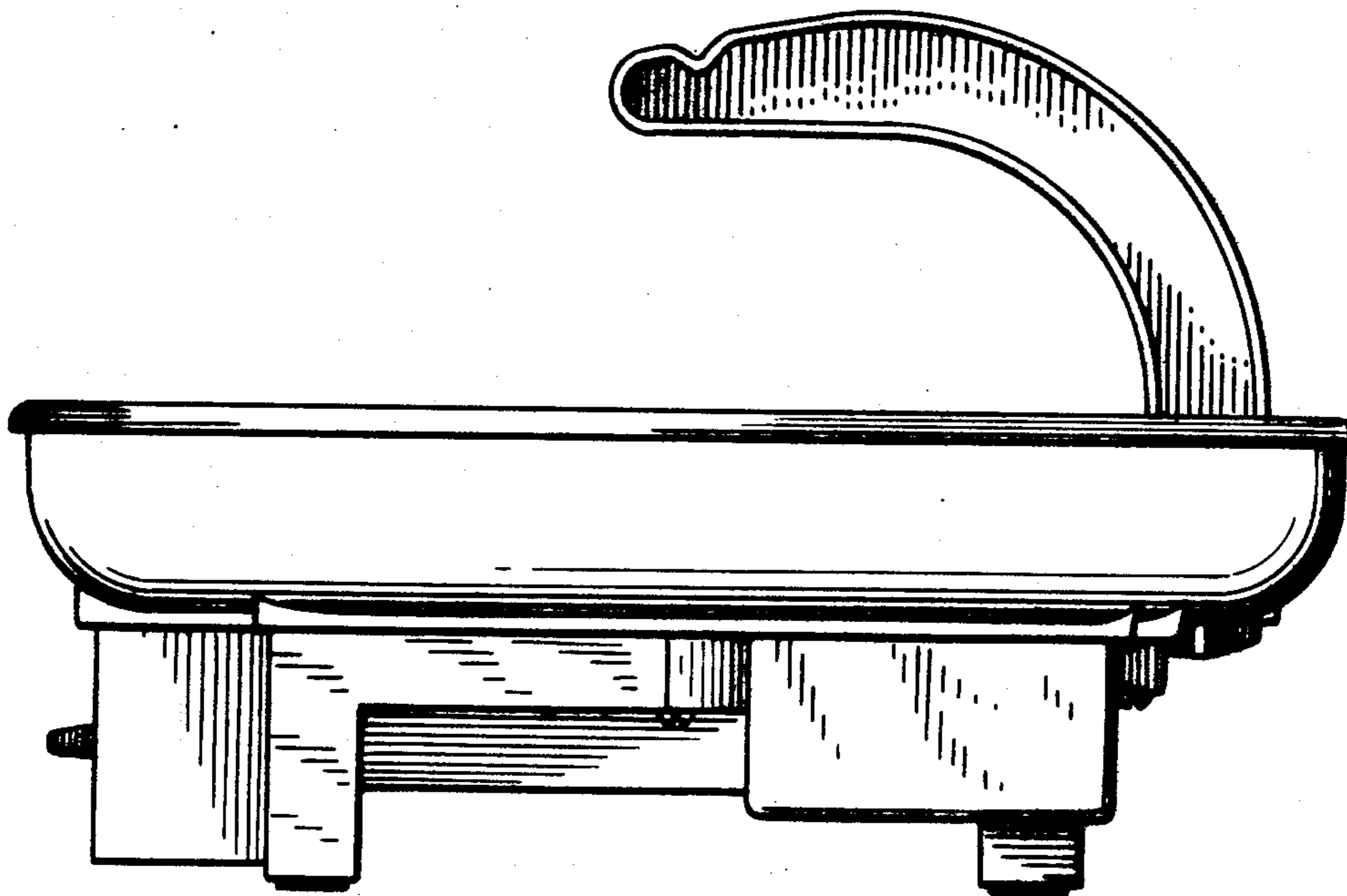


Fig. 2.

Fig. 3.

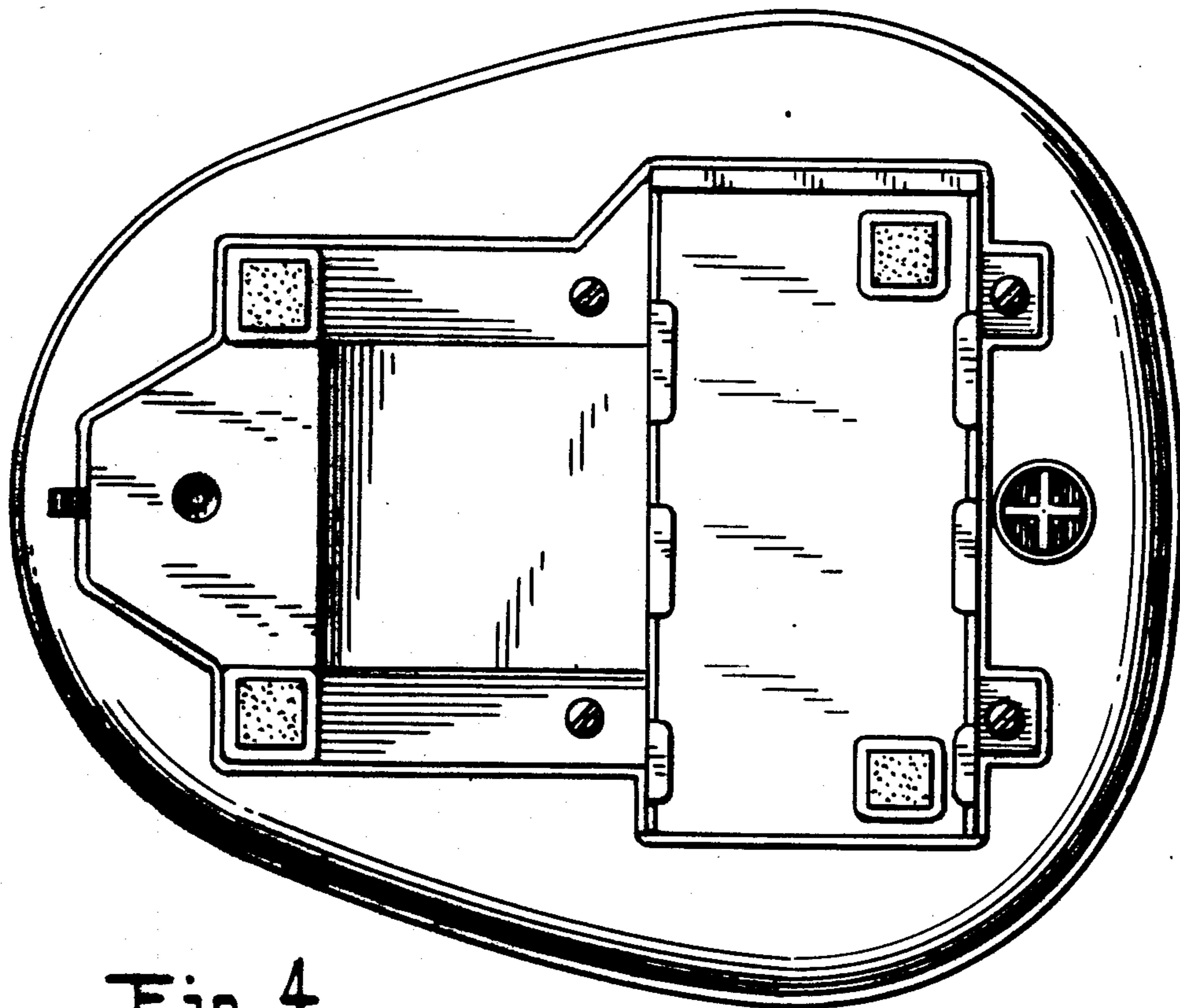
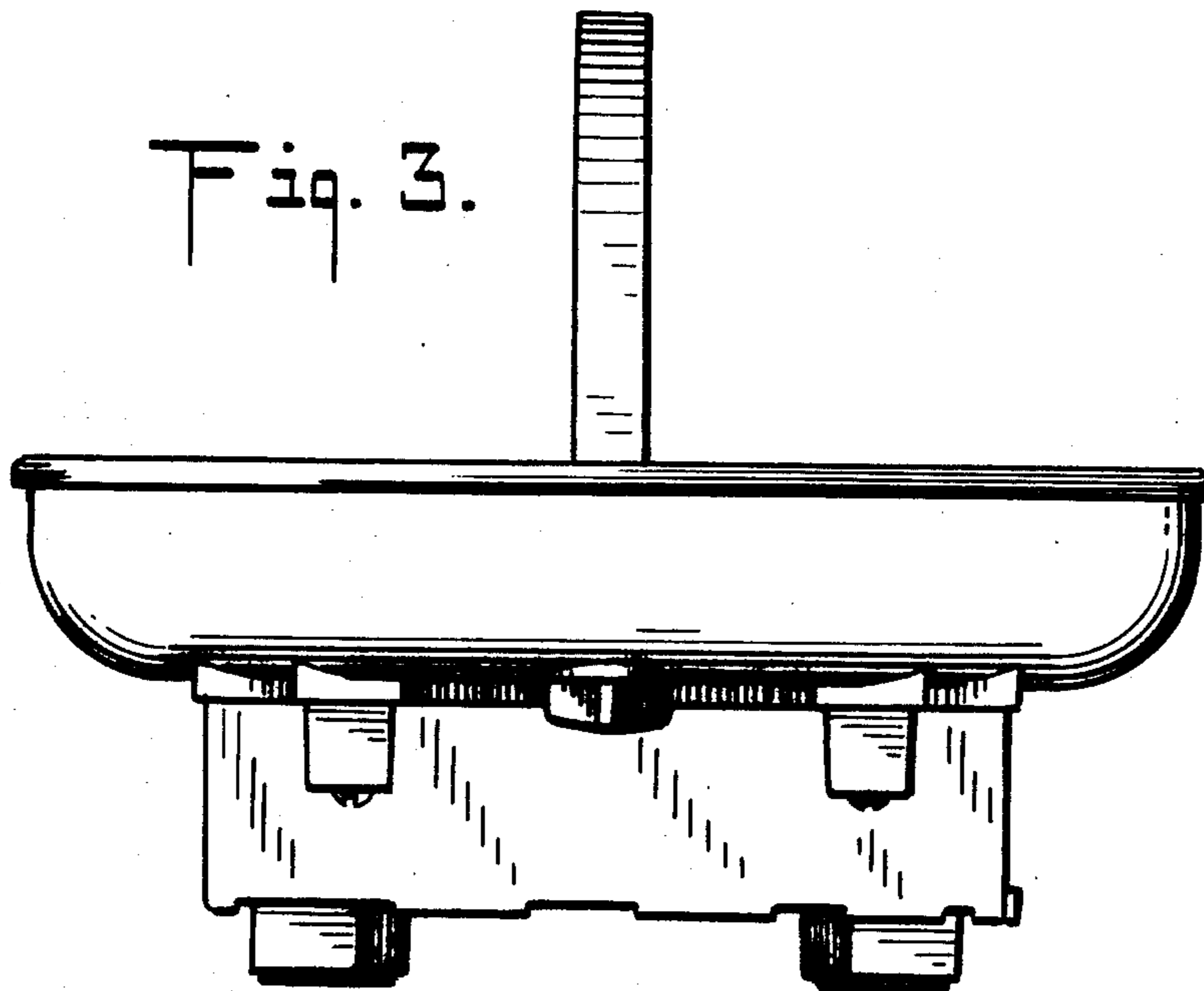


Fig. 4.