

[54] **WINCH**

[76] **Inventors:** Oskar L. Lindblad, Hedåsgatan 16, Vårgårda; Leif Ennerdal, Glimmergatan 16, Alingsås, both of Sweden

[\*\*] **Term:** 14 Years

[21] **Appl. No.:** 804,299

[22] **Filed:** Jun. 7, 1977

[30] **Foreign Application Priority Data**

Dec. 9, 1976 [SE] Sweden ..... 762399

[51] **Int. Cl.** ..... D12-05

[52] **U.S. Cl.** ..... D12/54

[58] **Field of Search** ..... D12/54; 254/161, 164, 254/186 HC; 24/269, 71.2; 105/477; 280/179 R

[56] **References Cited**

**U.S. PATENT DOCUMENTS**

4,045,002 8/1977 Miller ..... D12/54  
4,063,712 12/1977 Arbogast ..... 254/164

*Primary Examiner*—James M. Gandy  
*Attorney, Agent, or Firm*—Robert Osann

[57] **CLAIM**

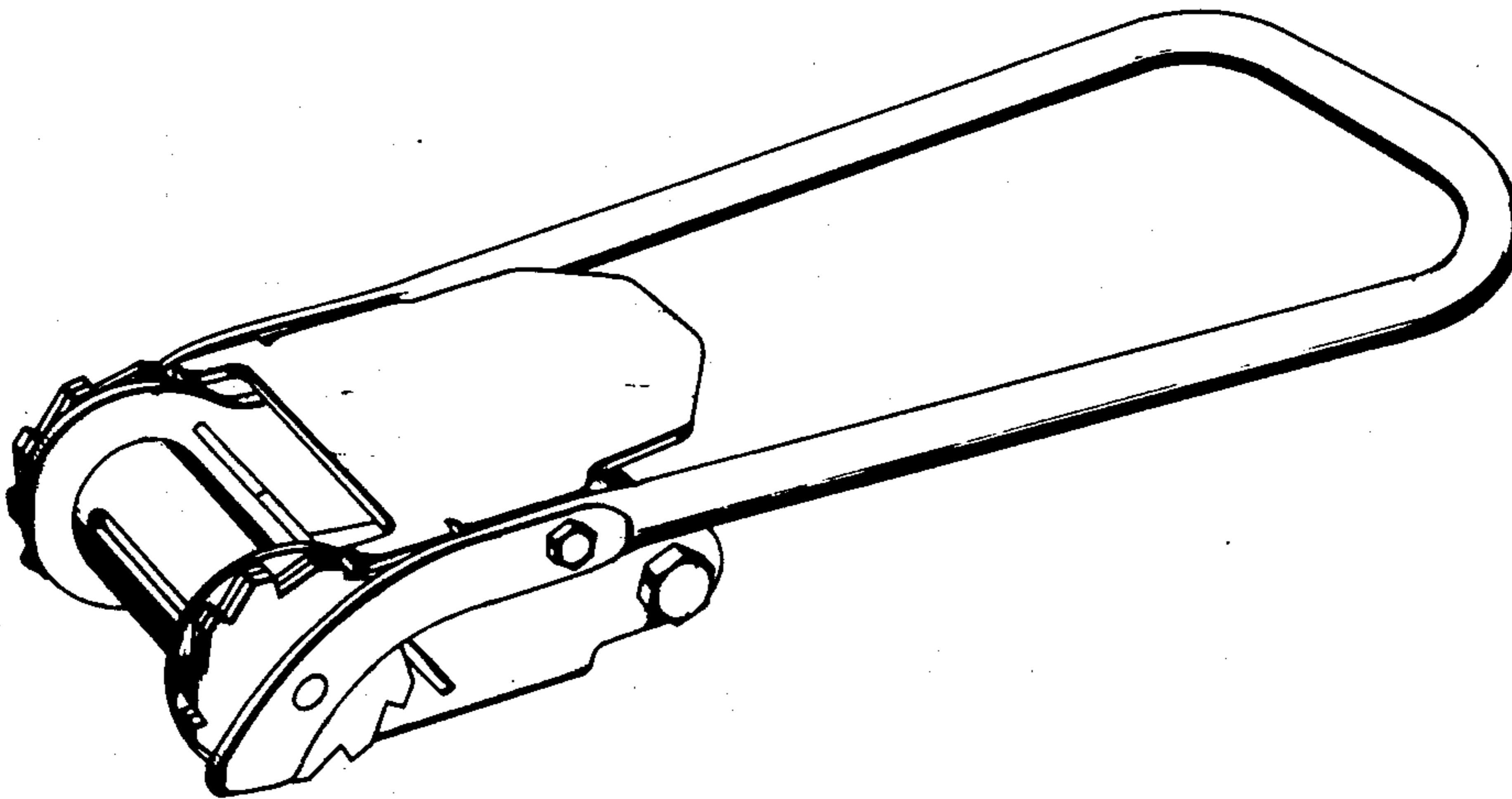
The ornamental design for a winch, substantially as shown.

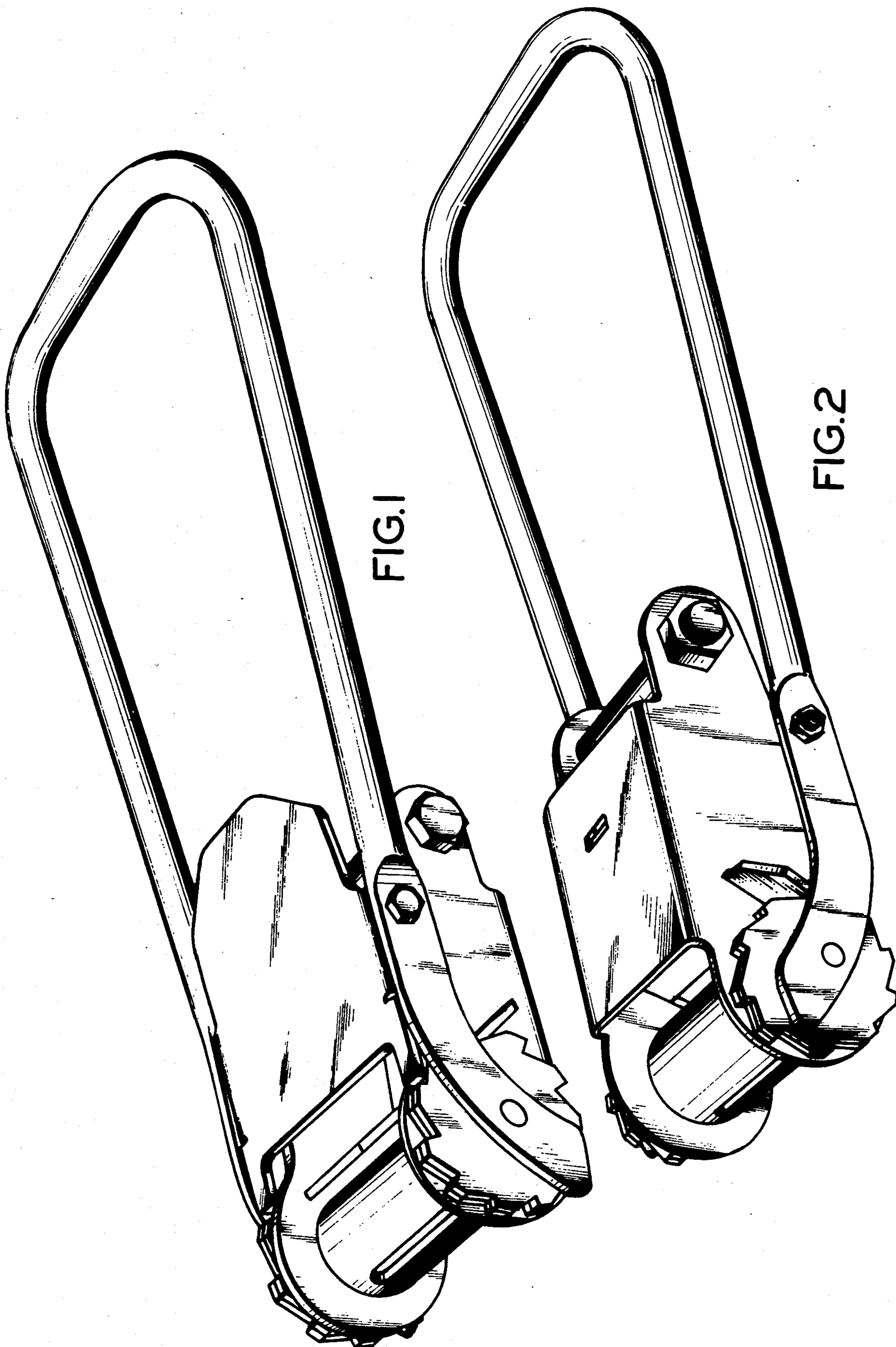
**DESCRIPTION**

FIG. 1 is top, right side perspective view of a winch showing our new design;

FIG. 2 is a bottom, left side perspective view thereof; and

FIG. 3 is a top, left side perspective view thereof in open condition.





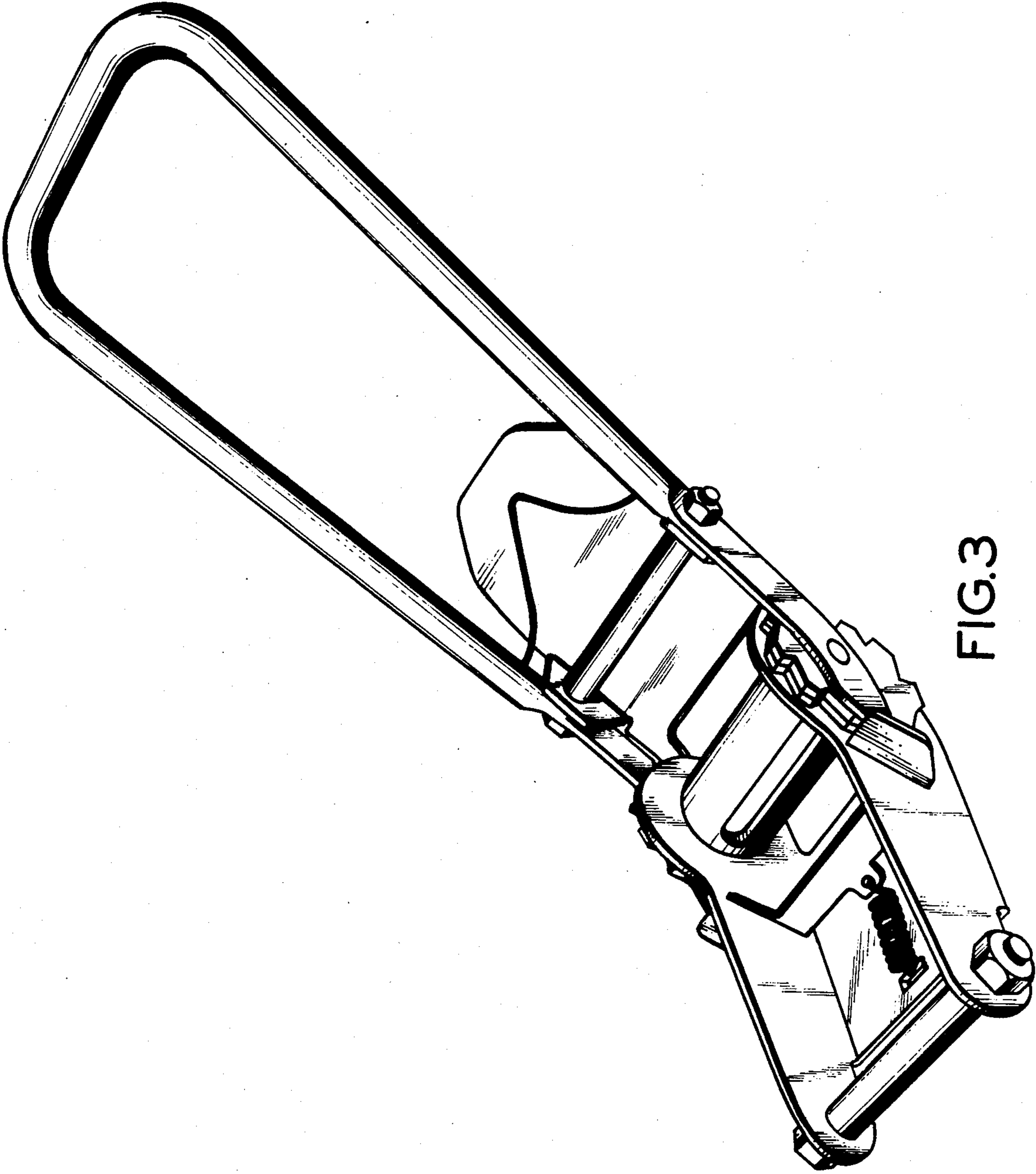


FIG. 3