

[54] COMPRESSION TESTER

[75] Inventor: Edwin L. Schwartz, Los Angeles, Calif.

[73] Assignee: Rite Autotronics Corporation, Los Angeles, Calif.

[\*\*] Term: 14 Years

[21] Appl. No.: 809,933

[22] Filed: Jun. 24, 1977

[51] Int. Cl. .... D10-04

[52] U.S. Cl. .... D10/85

[58] Field of Search .... D10/85, 86, 94, 46, D10/75, 78, 80; 73/756, 115, 116, 179 R, 120

[56]

References Cited

U.S. PATENT DOCUMENTS

D. 122,667	9/1940	Graham .....	D10/85 X
D. 233,693	11/1974	Holtzman .....	D10/85
2,620,656	12/1952	Peterson .....	73/756
4,085,611	4/1978	Schwartz .....	73/115

Primary Examiner—Nelson C. Holtje  
Attorney, Agent, or Firm—Robert E. Geauque

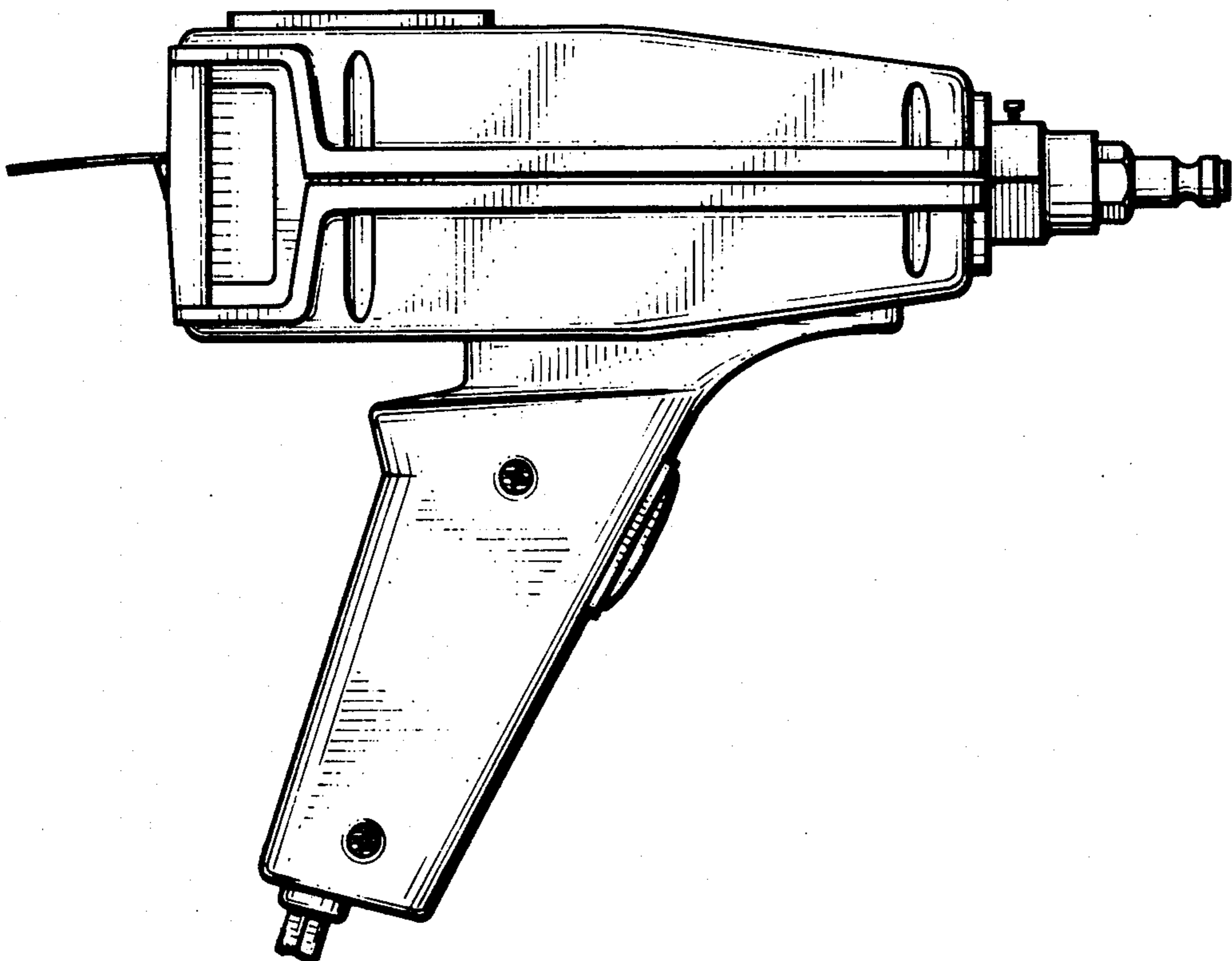
[57]

CLAIM

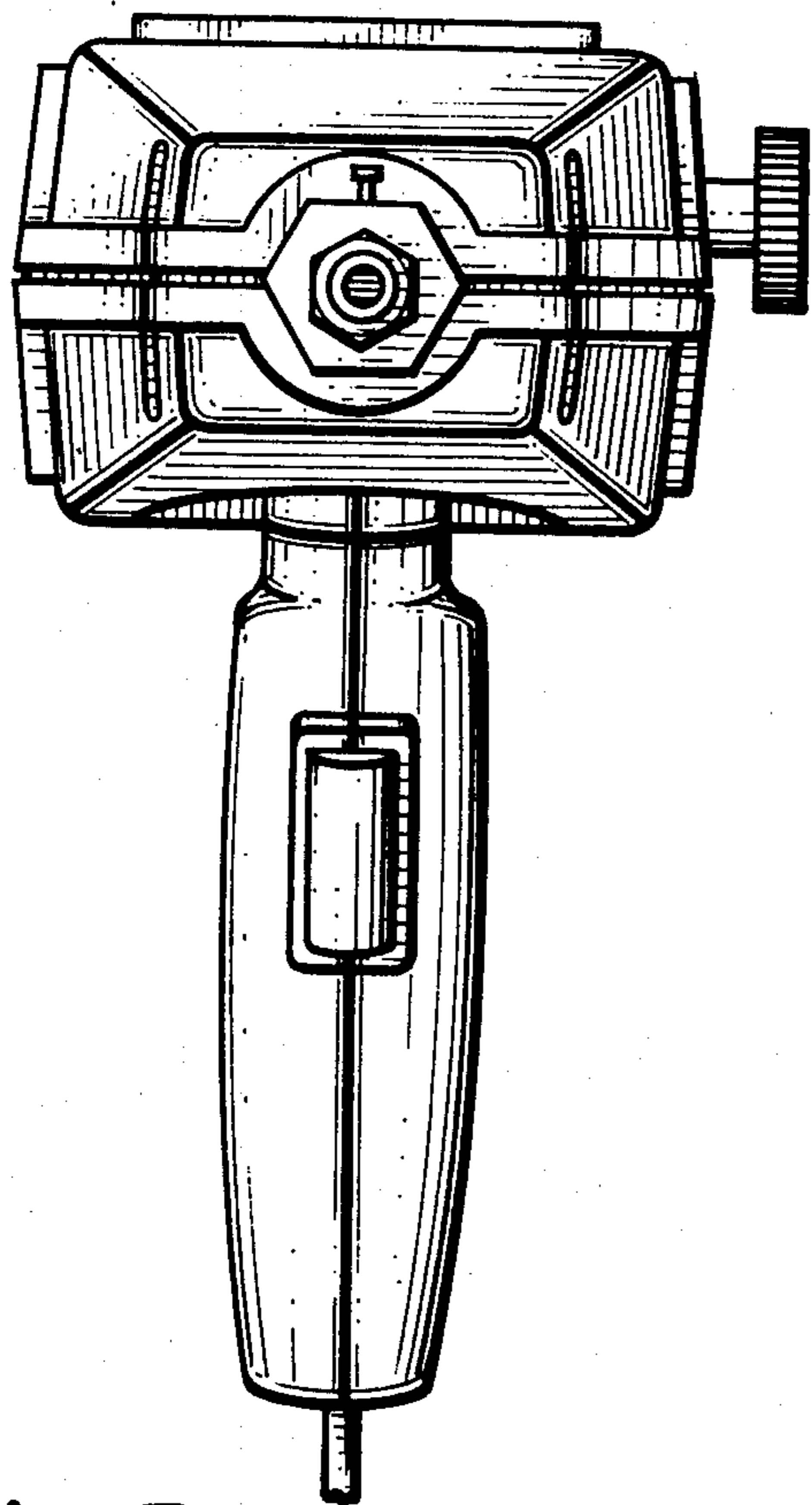
The ornamental design for a compression tester, substantially as shown.

DESCRIPTION

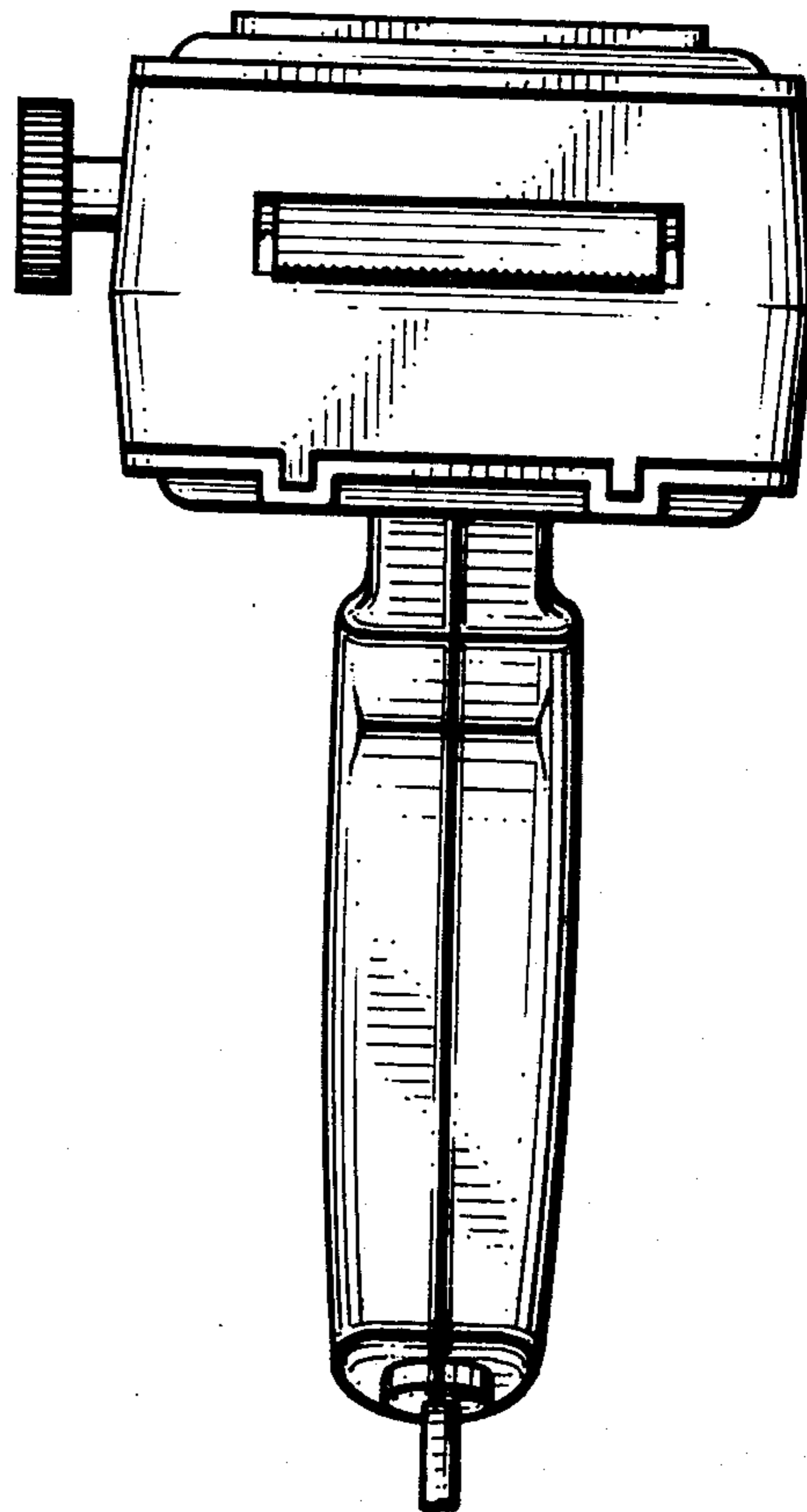
FIG. 1 is a front elevational view of a compression tester showing my new design;  
FIG. 2 is a rear elevational view thereof;  
FIG. 3 is a left side elevational view thereof;  
FIG. 4 is a right side elevational view thereof;  
FIG. 5 is a top plan view thereof;  
FIG. 6 is a bottom plan view thereof.



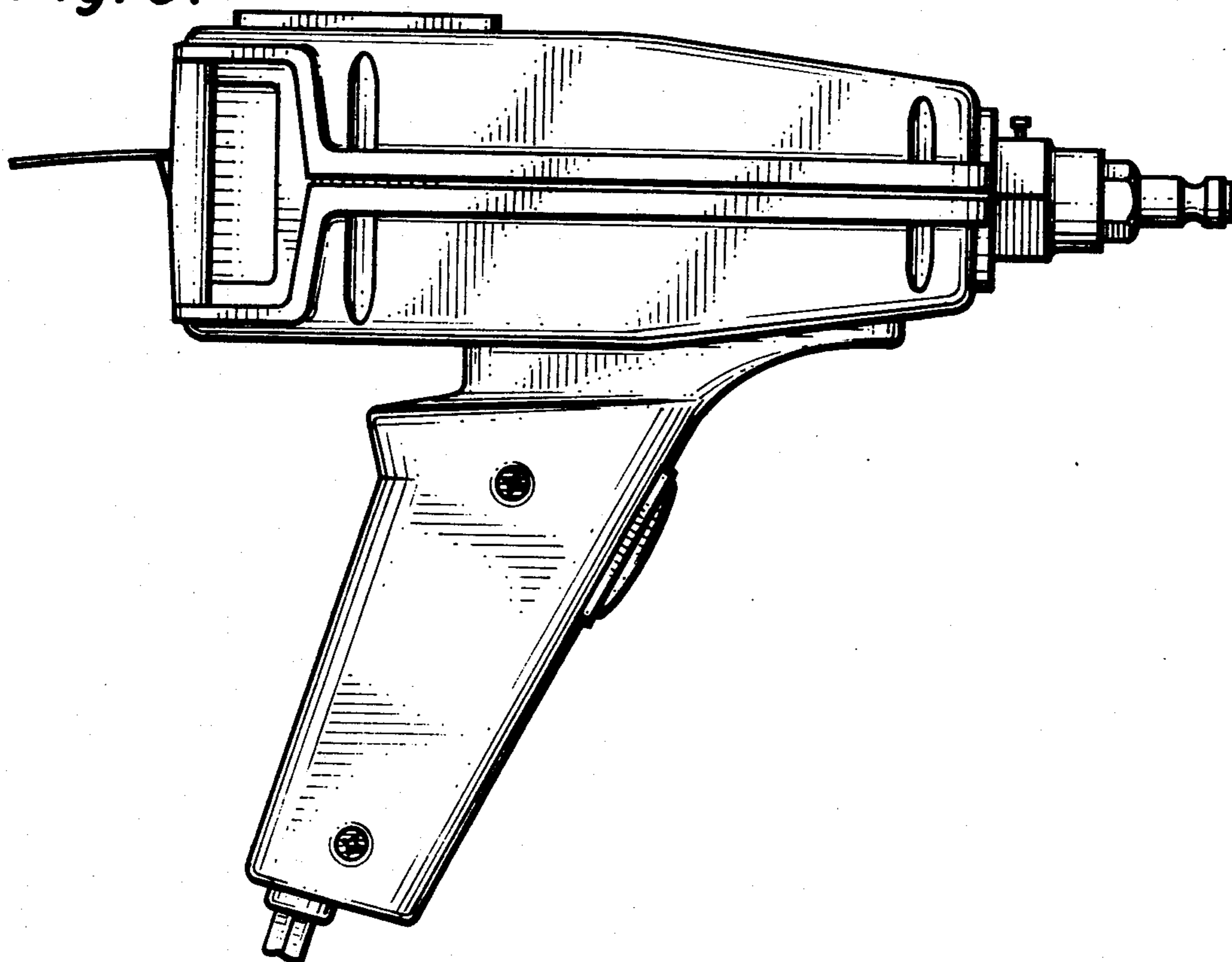
*Fig. 1.*



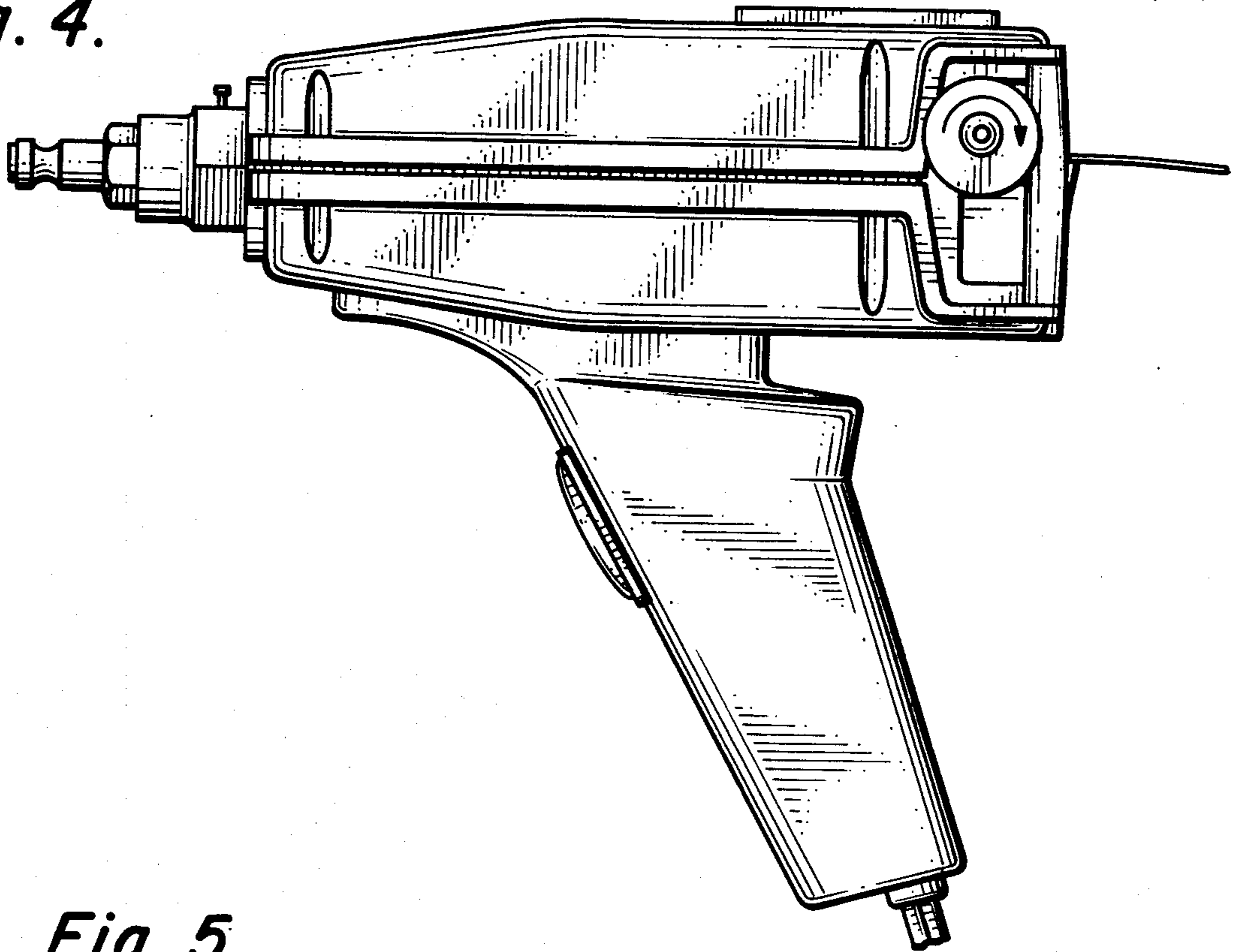
*Fig. 2.*



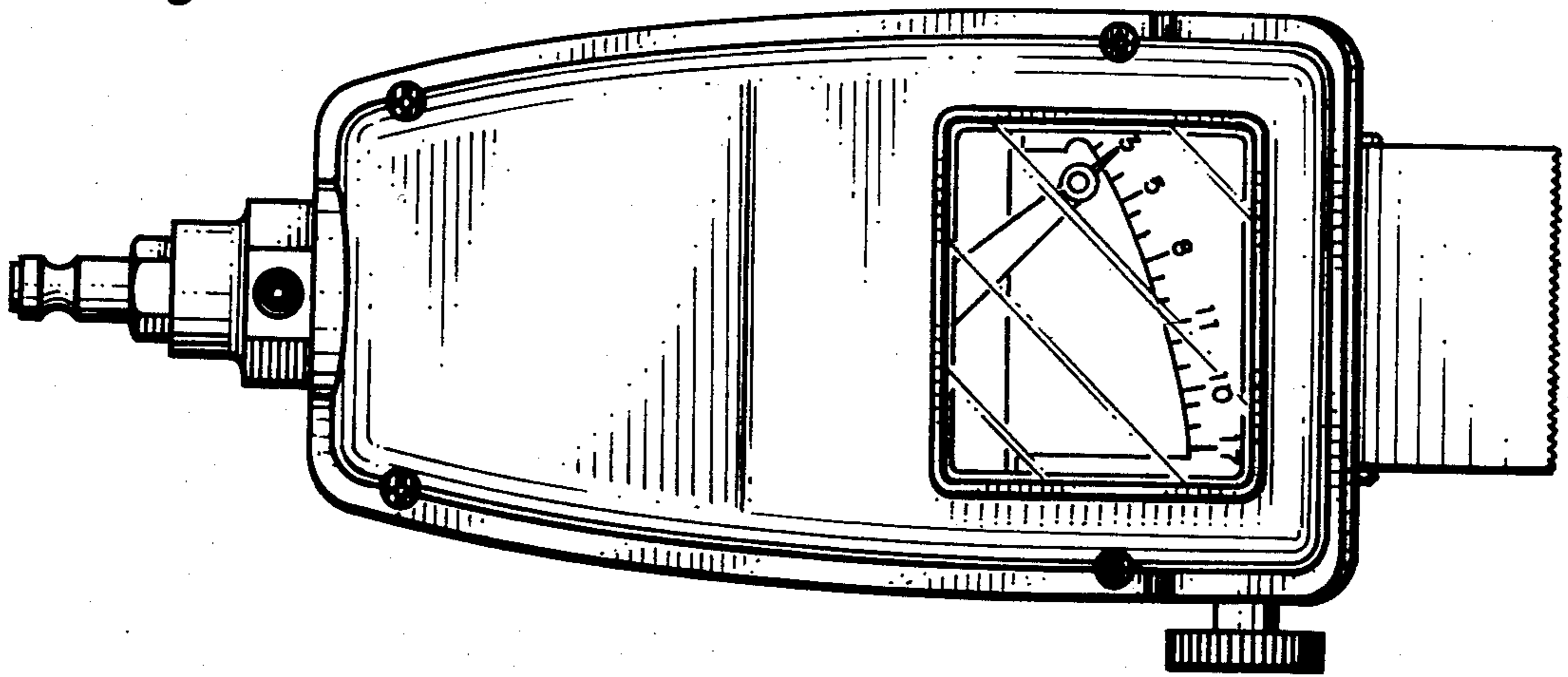
*Fig. 3.*



*Fig. 4.*



*Fig. 5.*



*Fig. 6.*

