

[54] ELECTRONIC INSTRUMENT CASE

[75] Inventors: Fred L. Katzmann, Cedar Grove, N.J.; Dale W. Gruye, Portola Valley, Calif.

[73] Assignee: Ballantine Laboratories, Inc., Boonton, N.J.

[**] Term: 14 Years

[21] Appl. No.: 759,667

[22] Filed: Jan. 17, 1977

[51] Int. Cl. D10-07

[52] U.S. Cl. D10/80; D10/75; D10/78; D10/46

[58] Field of Search D10/46, 75, 78, 80, D10/57, 102-103; 220/4 R, 4 A; 324/156; D13/40

[56] References Cited

U.S. PATENT DOCUMENTS

D. 203,824	2/1966	Rawson	D10/75
4,089,464	5/1978	Teti	220/4 A
4,090,632	5/1978	Katzmann et al.	220/4 R

OTHER PUBLICATIONS

Hewlett Packard Brochure-6/21/76-#3435A, Digital Multimeter.

Racal Instruments Ltd.-Flyer-5/14/76-#9008, Modulation Meter.

Keithley Catalog-©1976-p. 10-Digital Multimeter #160B.

Tracewell Enclosures-4/74-Flyer-Electronic Enclosure.

Primary Examiner-Nelson C. Holtje
Attorney, Agent, or Firm-John B. Pegram

[57] CLAIM

The ornamental design for an electronic instrument case, as shown and described.

DESCRIPTION

FIG. 1 is a right front perspective view of an electronic instrument case showing our new design;

FIG. 2 is a top plan view;

FIG. 3 is a right side elevational view, the left side being a mirror image thereto;

FIG. 4 is a front elevational view;

FIG. 5 is a rear elevational view; and

FIG. 6 is a bottom plan view.

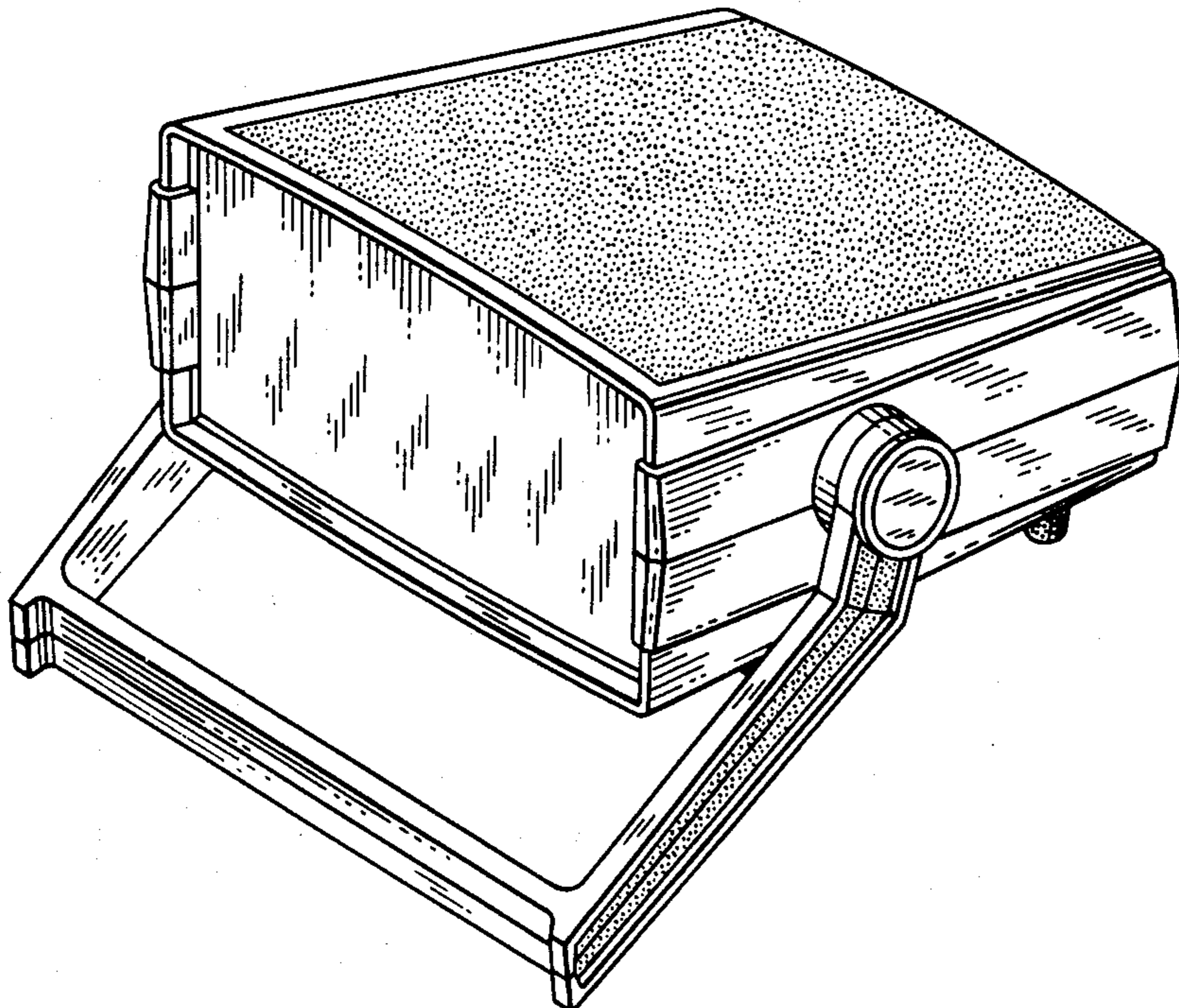


FIG. 1

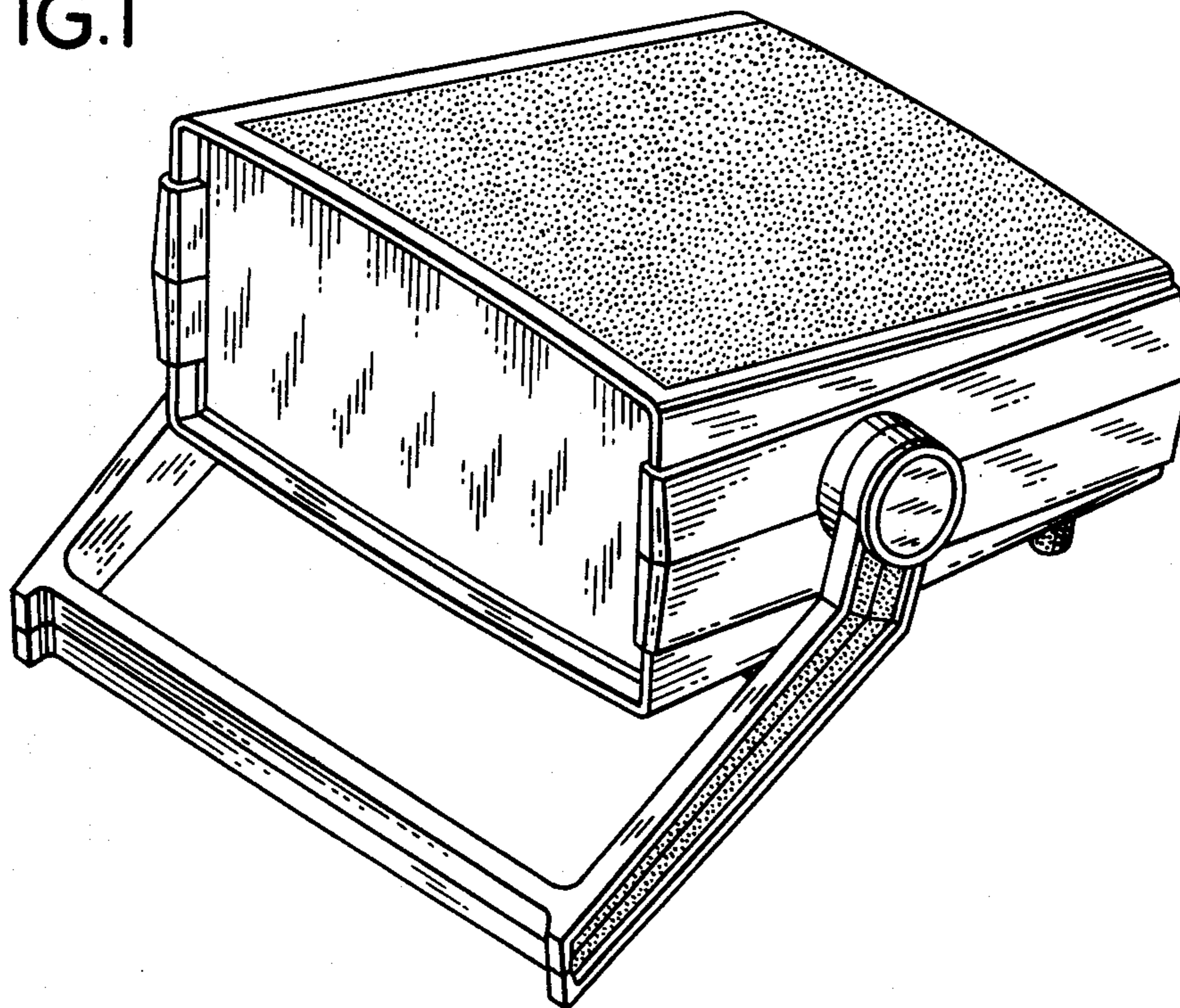


FIG. 2

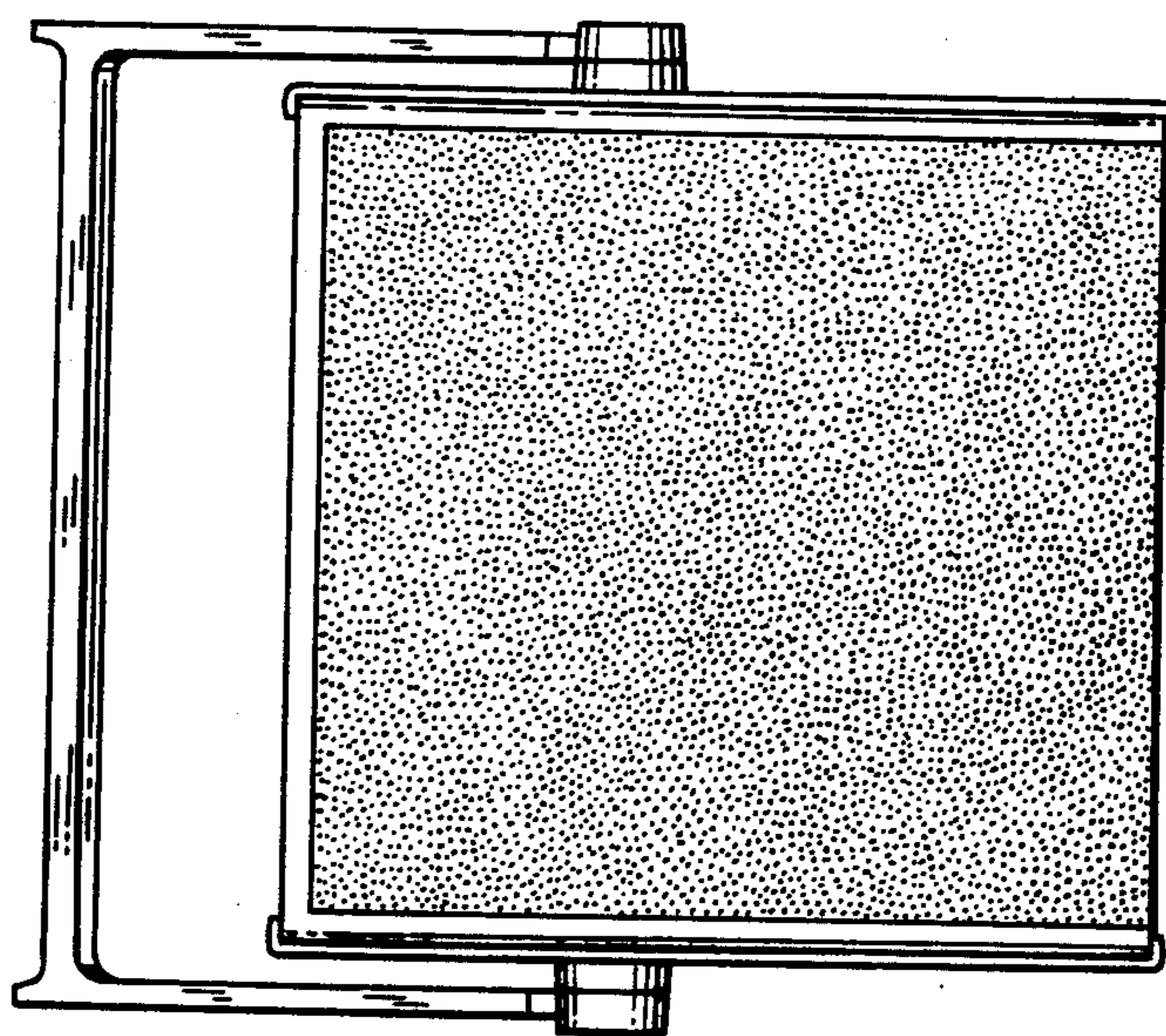


FIG. 3

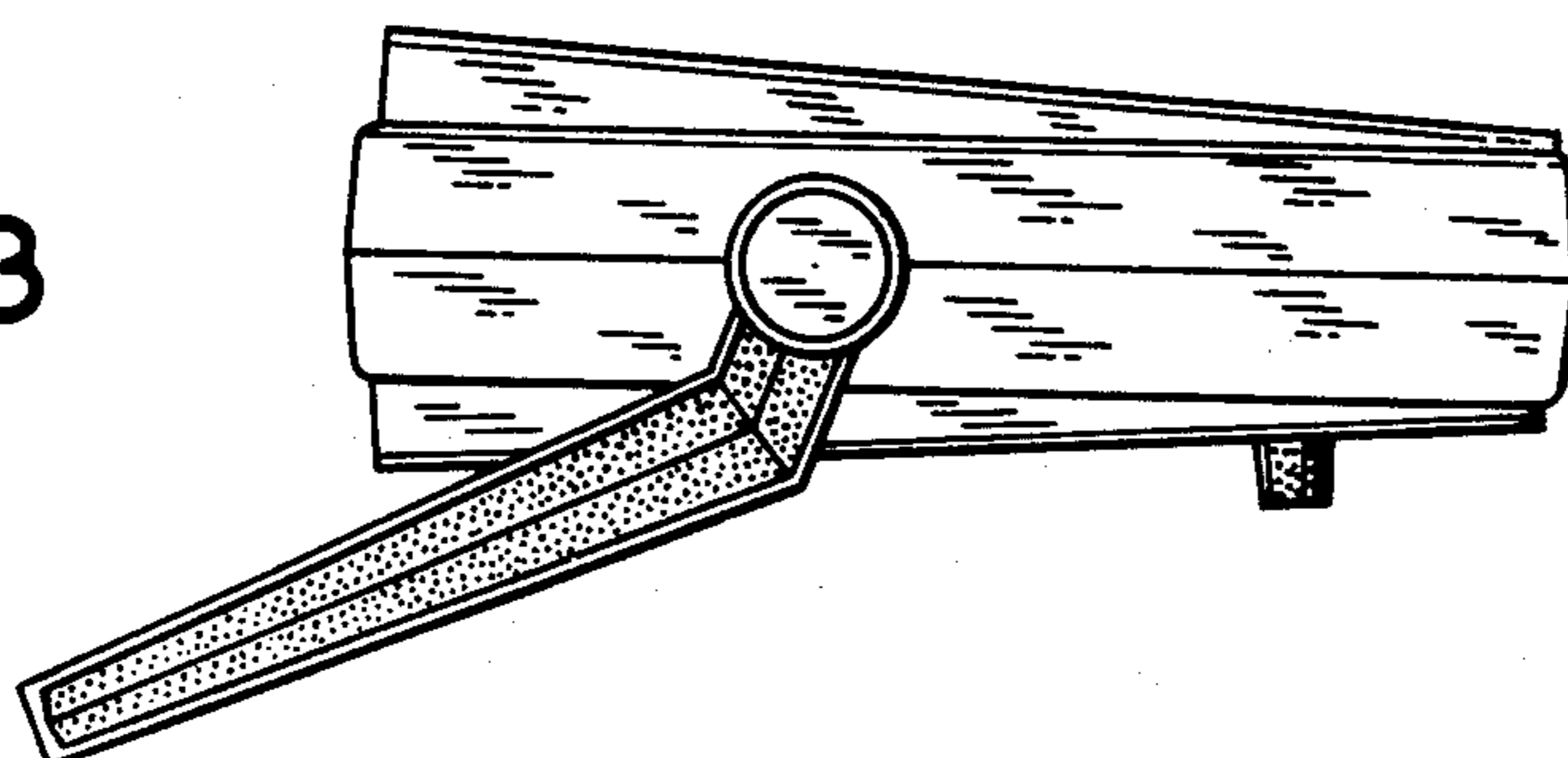


FIG.4

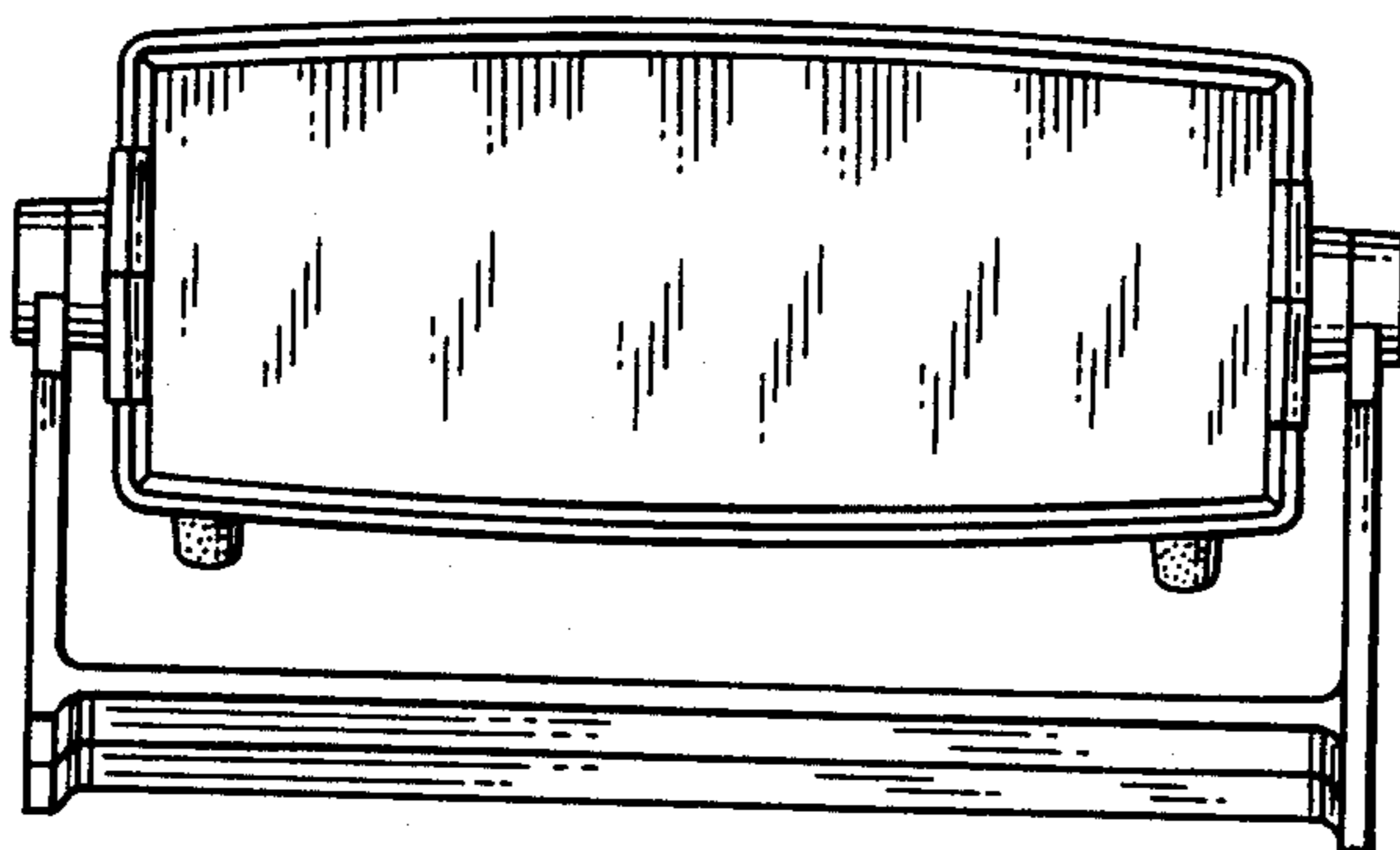


FIG.5

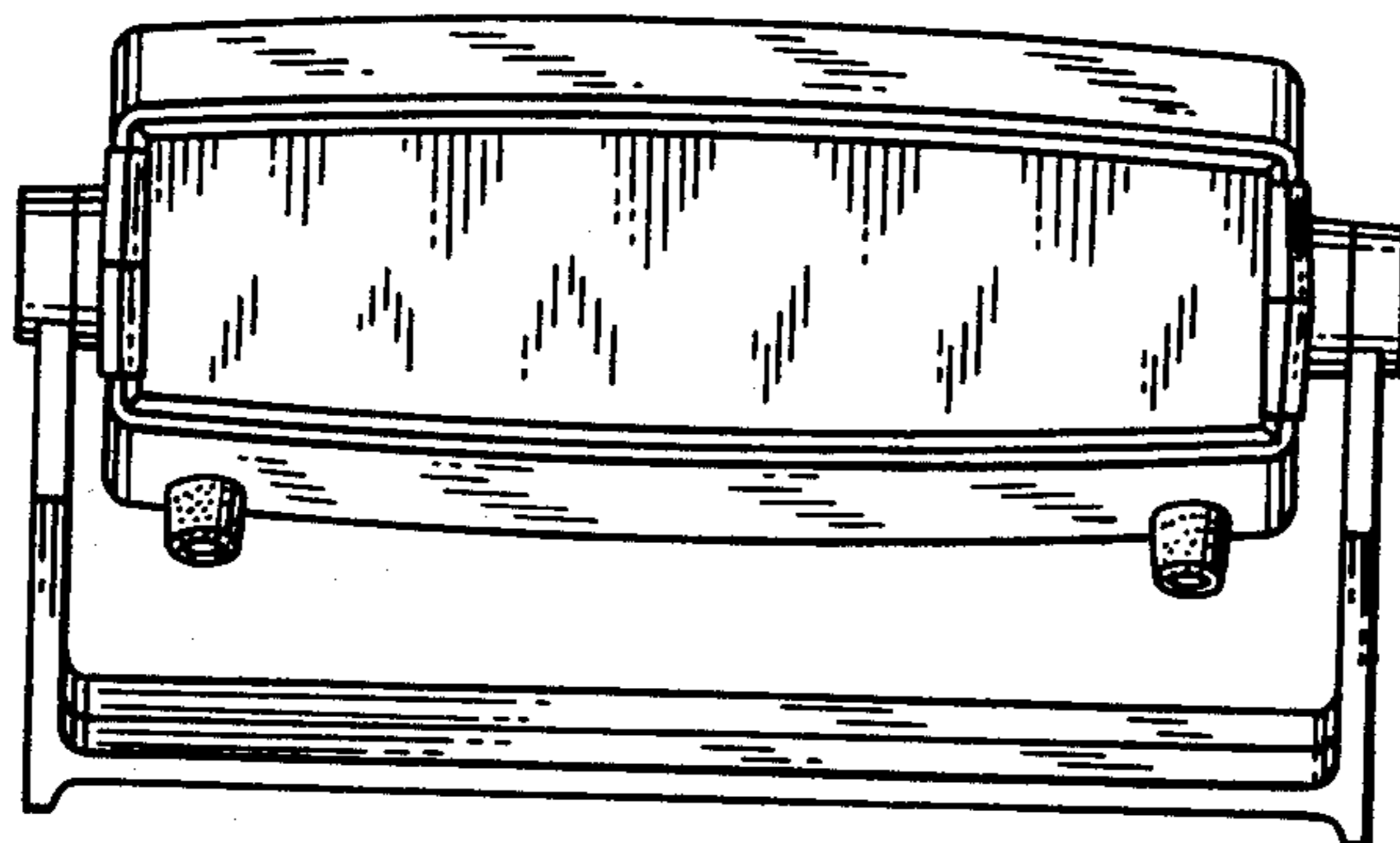


FIG.6

