

[54] KITE STRING REEL

[76] Inventor: Henri M. J. Bogaert, Kinderdijk 30, Middelburg, Netherlands

[**] Term: 14 Years

[21] Appl. No.: 665,534

[22] Filed: Mar. 10, 1976

[51] Int. Cl. D22-05

[52] U.S. Cl. D8/358; D21/88

[58] Field of Search D34/15 AF; 244/155 R; 46/82, 74 B; D8/358, 359; 292/77, 85, 100

[56] References Cited

U.S. PATENT DOCUMENTS

D. 198,981 8/1964 Nicholson D8/359

D. 226,166 1/1973 Brinkman D8/359

OTHER PUBLICATIONS

Playthings, 1-1958, p. 143, Kite String Reel.

Primary Examiner—Joel Stearman

Assistant Examiner—C. A. Rademaker

Attorney, Agent, or Firm—Charles E. Brown

[57] CLAIM

The ornamental design for a kite string reel, or similar article as shown and described.

DESCRIPTION

FIG. 1 is a front perspective view of a kite string reel showing my new design;

FIG. 2 is a rear perspective view thereof; and,

FIG. 3 is a rear perspective view thereof showing the collar members in an exploded relationship.

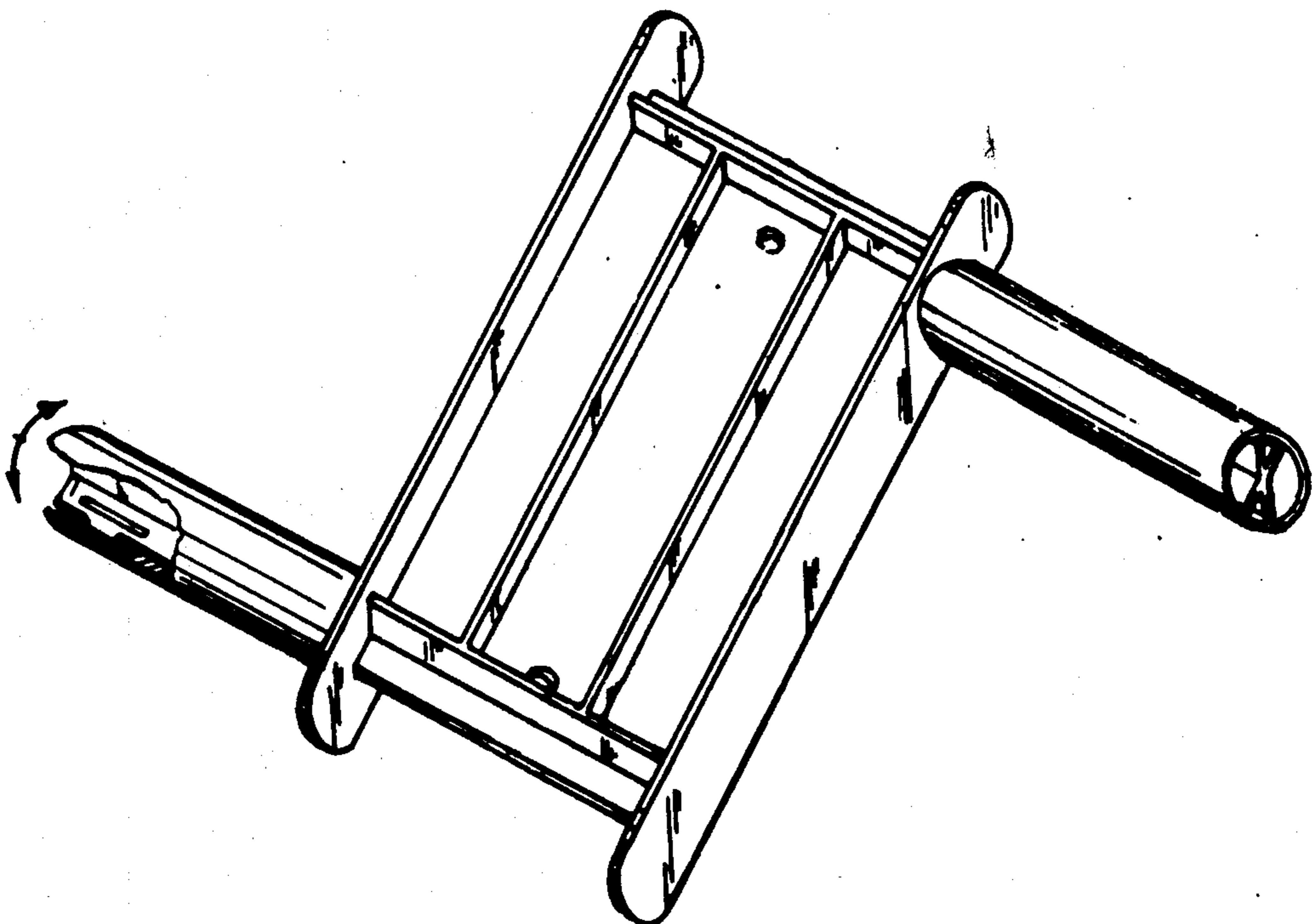


FIG. 1

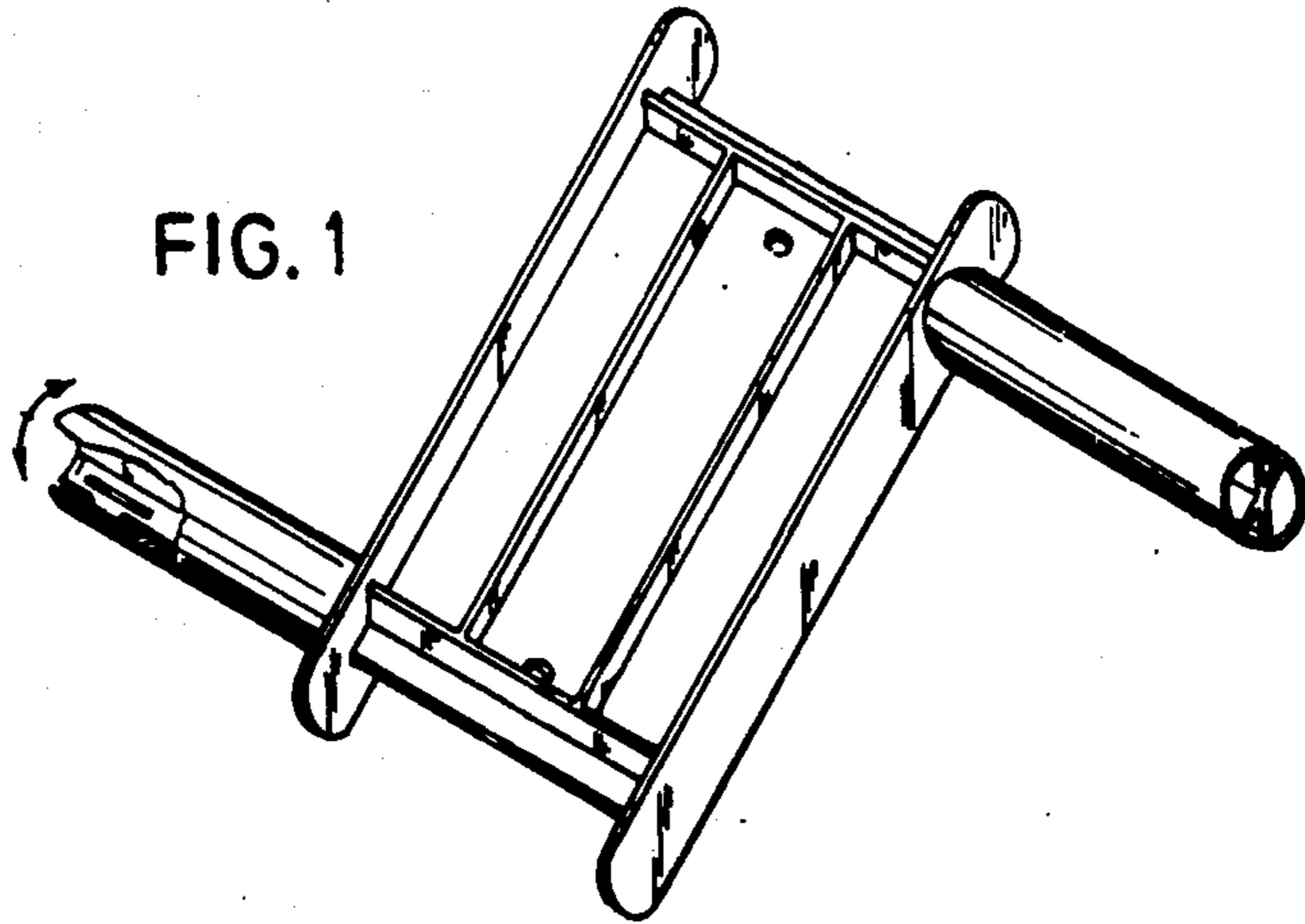


FIG. 2

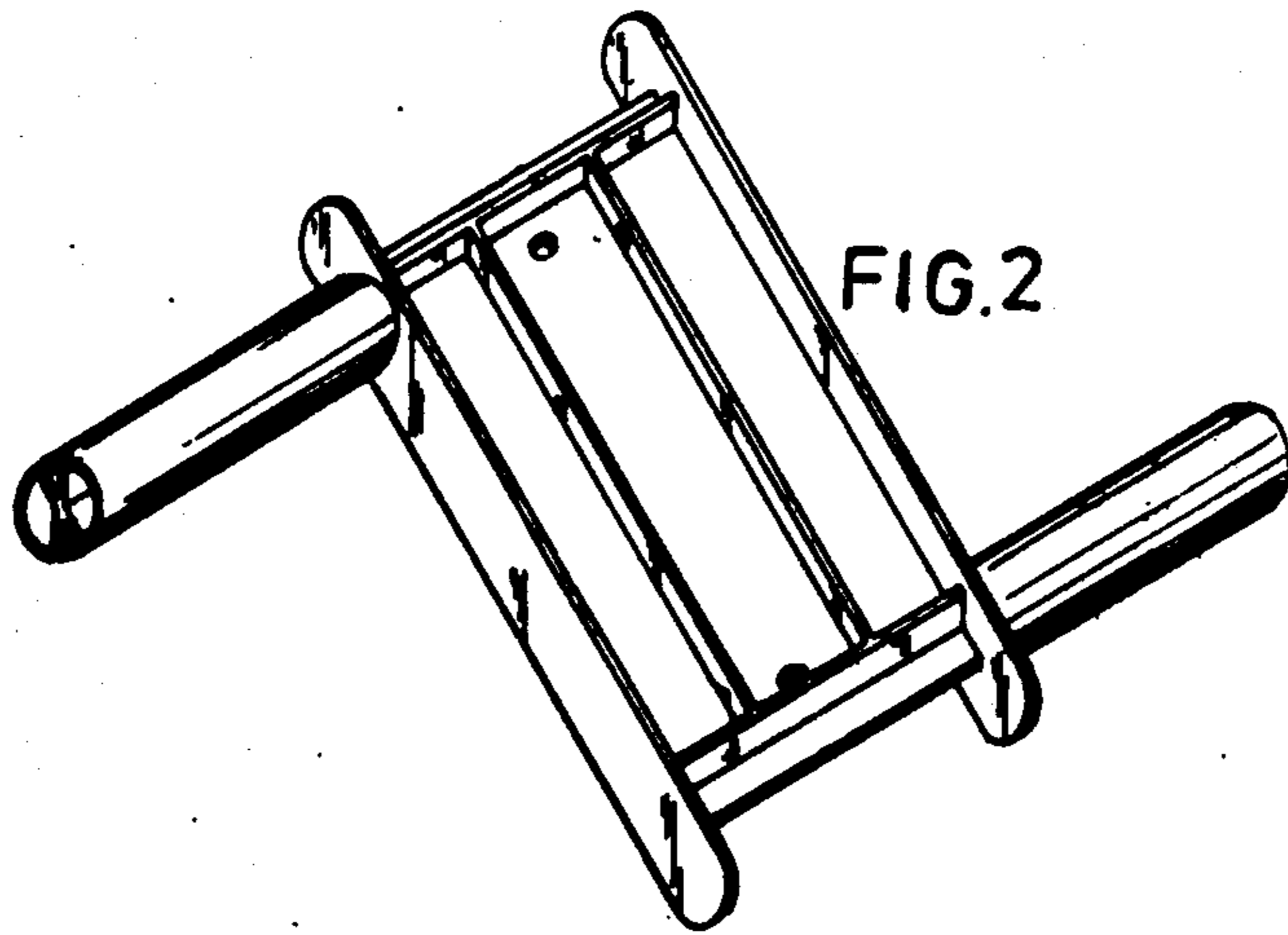


FIG. 3

