

[54] SAUCER

[75] Inventor: Niels R. Andersen, Rude, Denmark

[73] Assignee: Dansk International Designs Ltd., Mount Kisco, N.Y.

[\*\*] Term: 14 Years

[21] Appl. No.: 802,386

[22] Filed: Jun. 1, 1977

[51] Int. Cl. .... D7-01

[52] U.S. Cl. .... D7/23

[58] Field of Search .... D7/23-26, D7/28-36

[56]

References Cited

U.S. PATENT DOCUMENTS

Re. 23,918	1/1955	Cowan .....	D7/23 X
D. 95,867	6/1935	Sebring .....	D7/23
2,210,283	8/1940	Cowan .....	D7/23 X

FOREIGN PATENT DOCUMENTS

23109	12/1893	United Kingdom .....	D7/23 X
-------	---------	----------------------	---------

Primary Examiner—Winifred E. Herrmann  
Attorney, Agent, or Firm—Alex Friedman

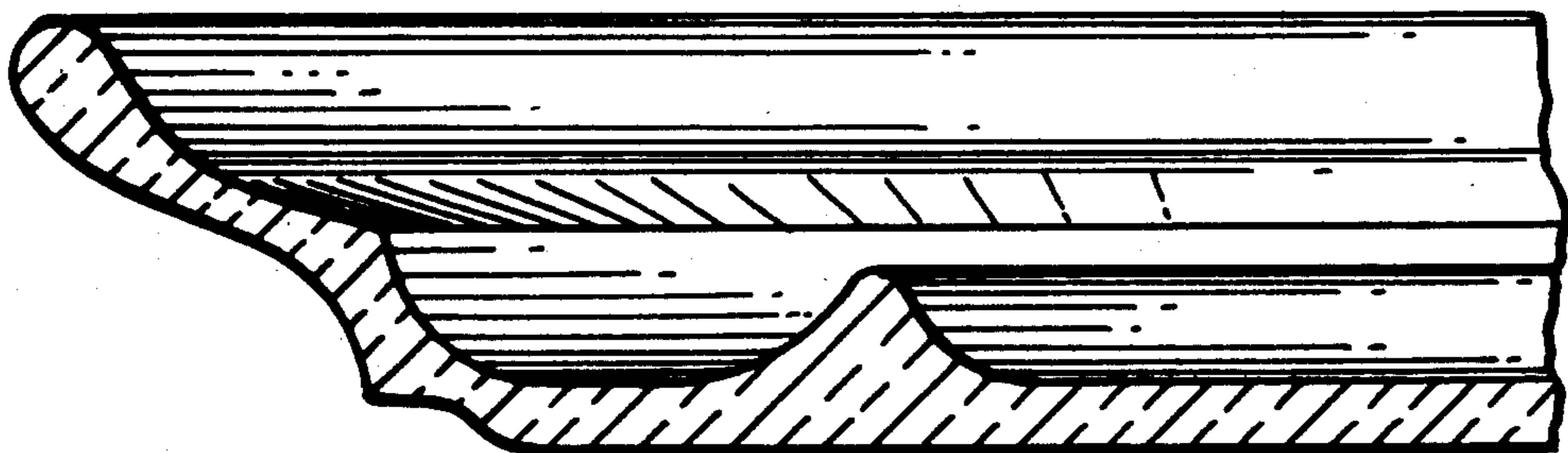
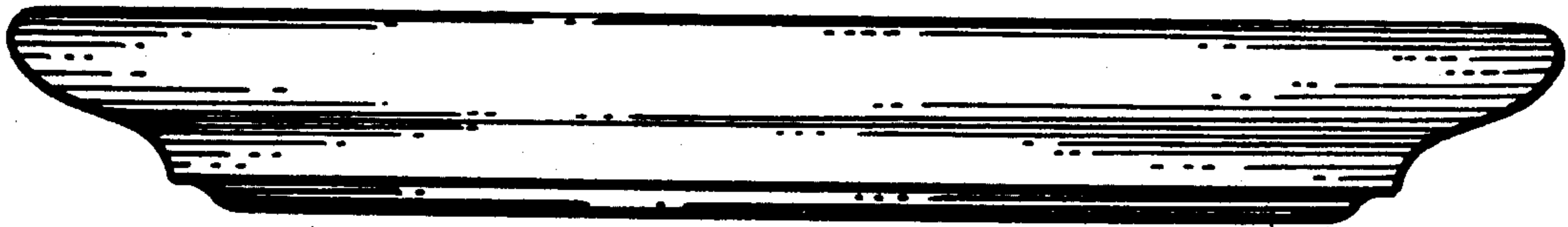
[57]

CLAIM

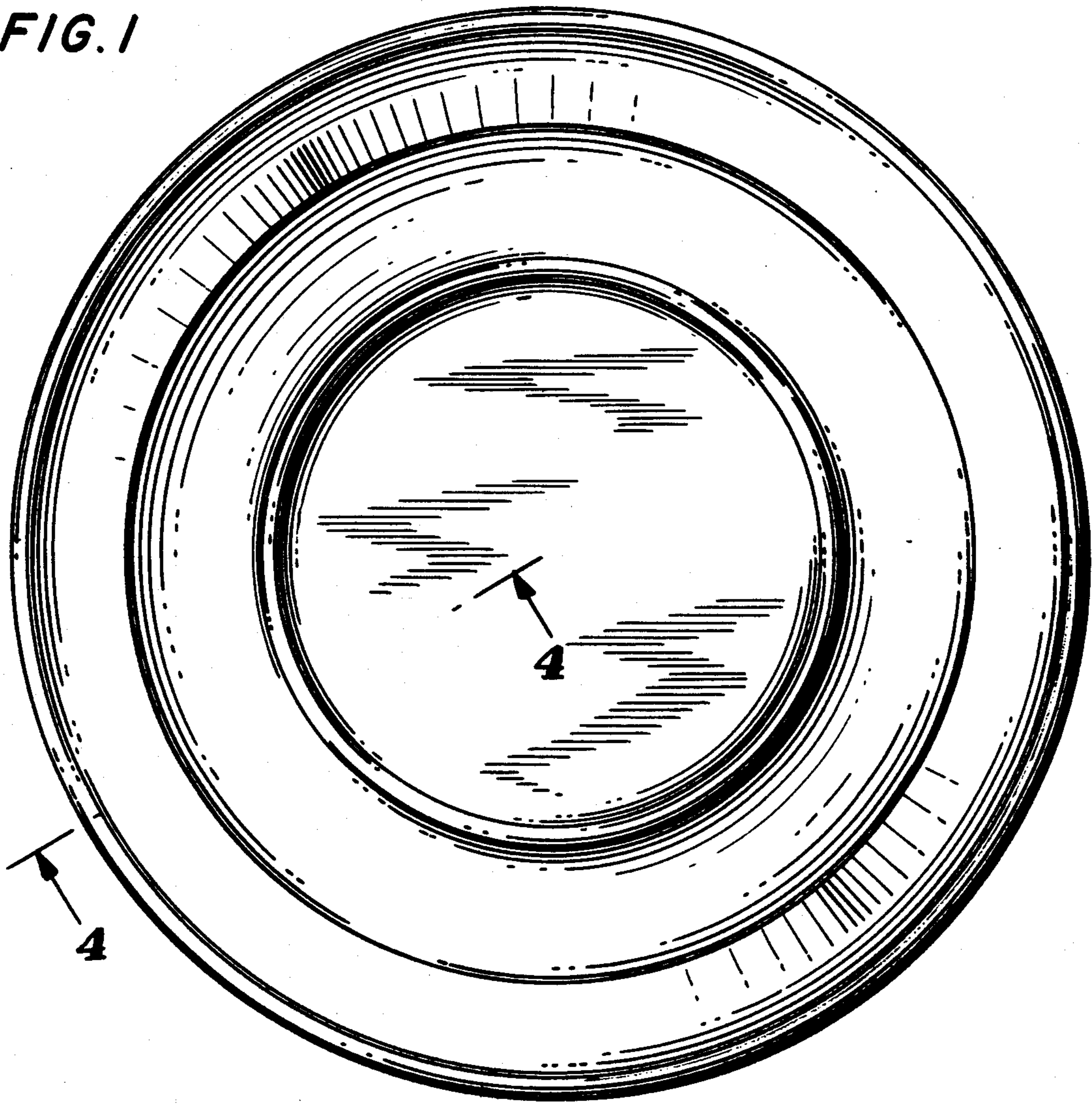
The ornamental design for a saucer, as shown.

DESCRIPTION

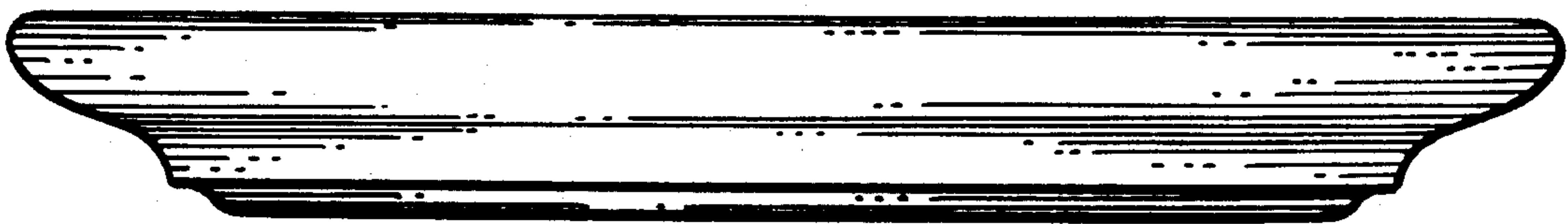
FIG. 1 is a top plan view of a saucer showing my new design;  
FIG. 2 is a side elevational view thereof;  
FIG. 3 is a bottom plan view thereof; and  
FIG. 4 is a partial sectional view on an enlarged scale taken along line 4-4 of FIG. 1.



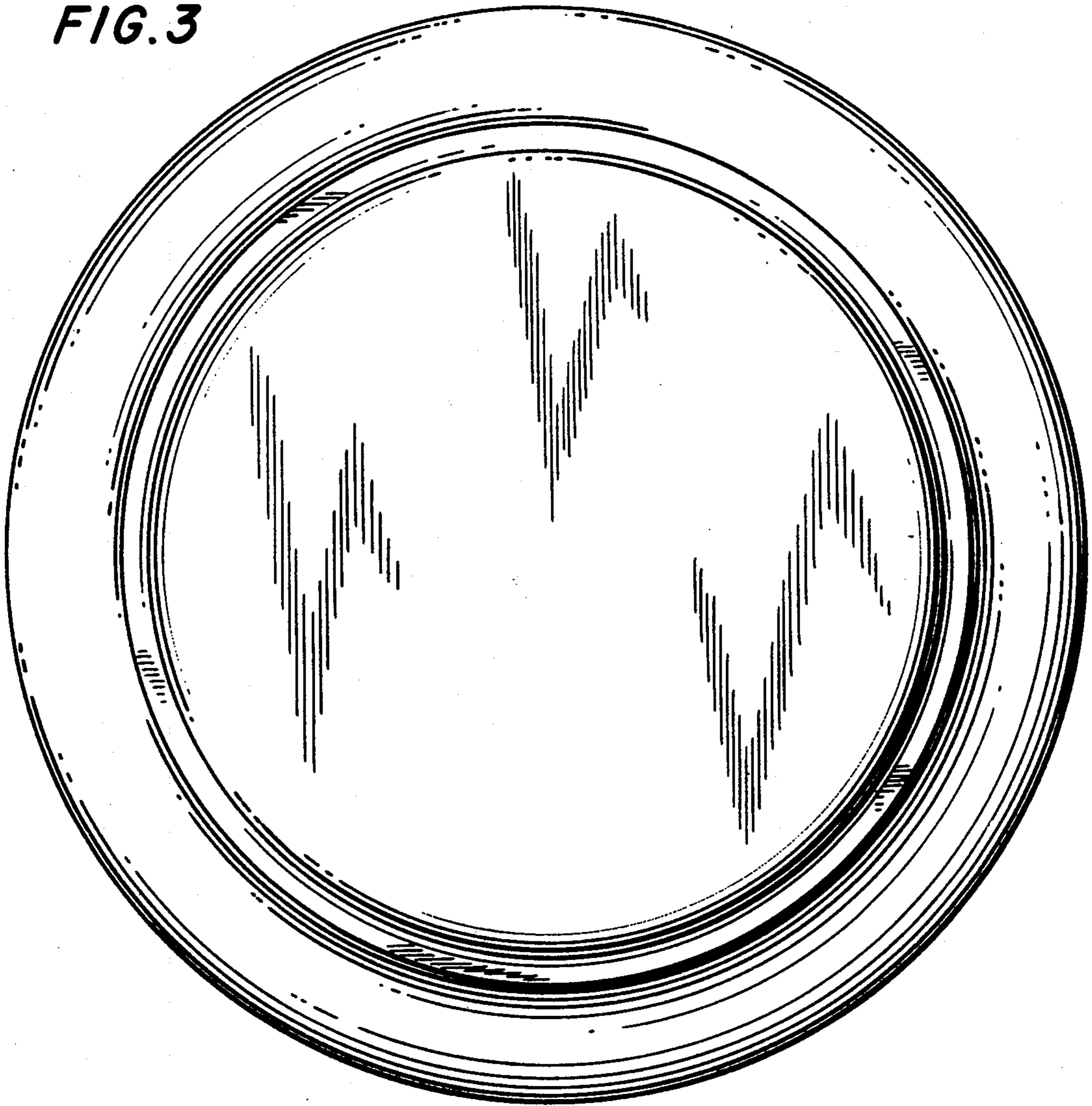
**FIG. 1**



**FIG. 2**



**FIG. 3**



**FIG. 4**

