

[54] COIN BANK

[76] Inventor: Cornelius M. Phipps, 1001 Crescent Blvd., Glen Ellyn, Ill. 60137

[**] Term: 14 Years

[21] Appl. No.: 757,476

[22] Filed: Jan. 7, 1977

[51] Int. Cl. D31-00

[52] U.S. Cl. D99/35

[58] Field of Search D34/11 R, 15 R, 15 K; 46/2, 3, 4, 5, 11; 232/4 R, 4 D, 5

[56] References Cited

U.S. PATENT DOCUMENTS

141,414	8/1873	Arnaud	D34/15 K
2,749,656	6/1956	Reynolds	46/4
3,002,313	10/1961	Hutchison	46/3

OTHER PUBLICATIONS

Playthings, 3-1960, p. 15, Disneyland Bank.

Primary Examiner—Joel Stearman

Assistant Examiner—C. A. Rademaker

Attorney, Agent, or Firm—Howard H. Darbo

[57] CLAIM

The ornamental design for a coin bank, as shown and described.

DESCRIPTION

FIG. 1 is a side elevational view of a coin bank showing my new design, the side opposite being substantially a mirror image;

FIG. 2 is a rear elevational view thereof;

FIG. 3 is a top plan view thereof;

FIG. 4 is a front elevational view thereof;

FIG. 5 is a cross-sectional view thereof taken along line 5-5 of FIG. 4; and

FIG. 6 is a bottom plan view thereof.

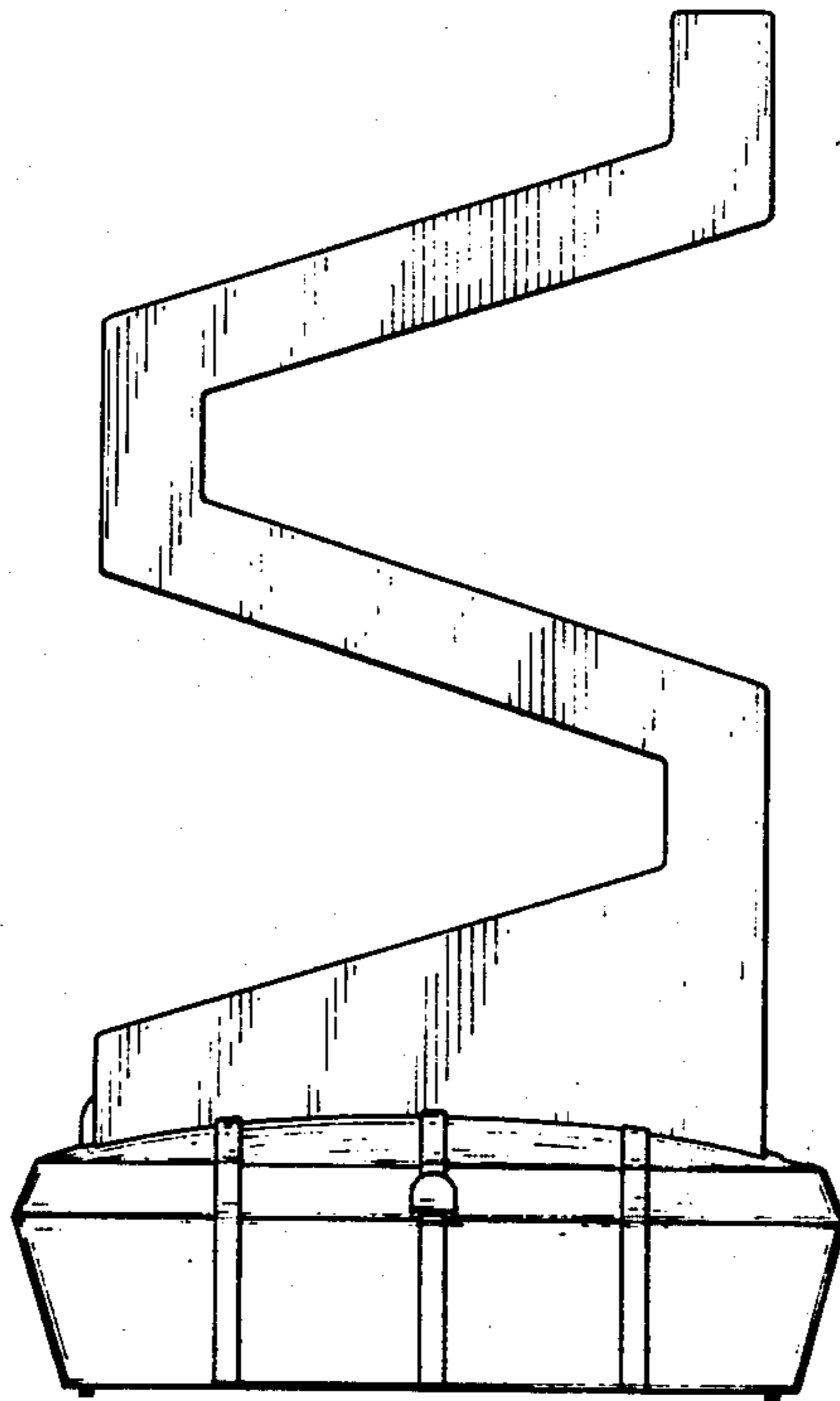


Fig. 1

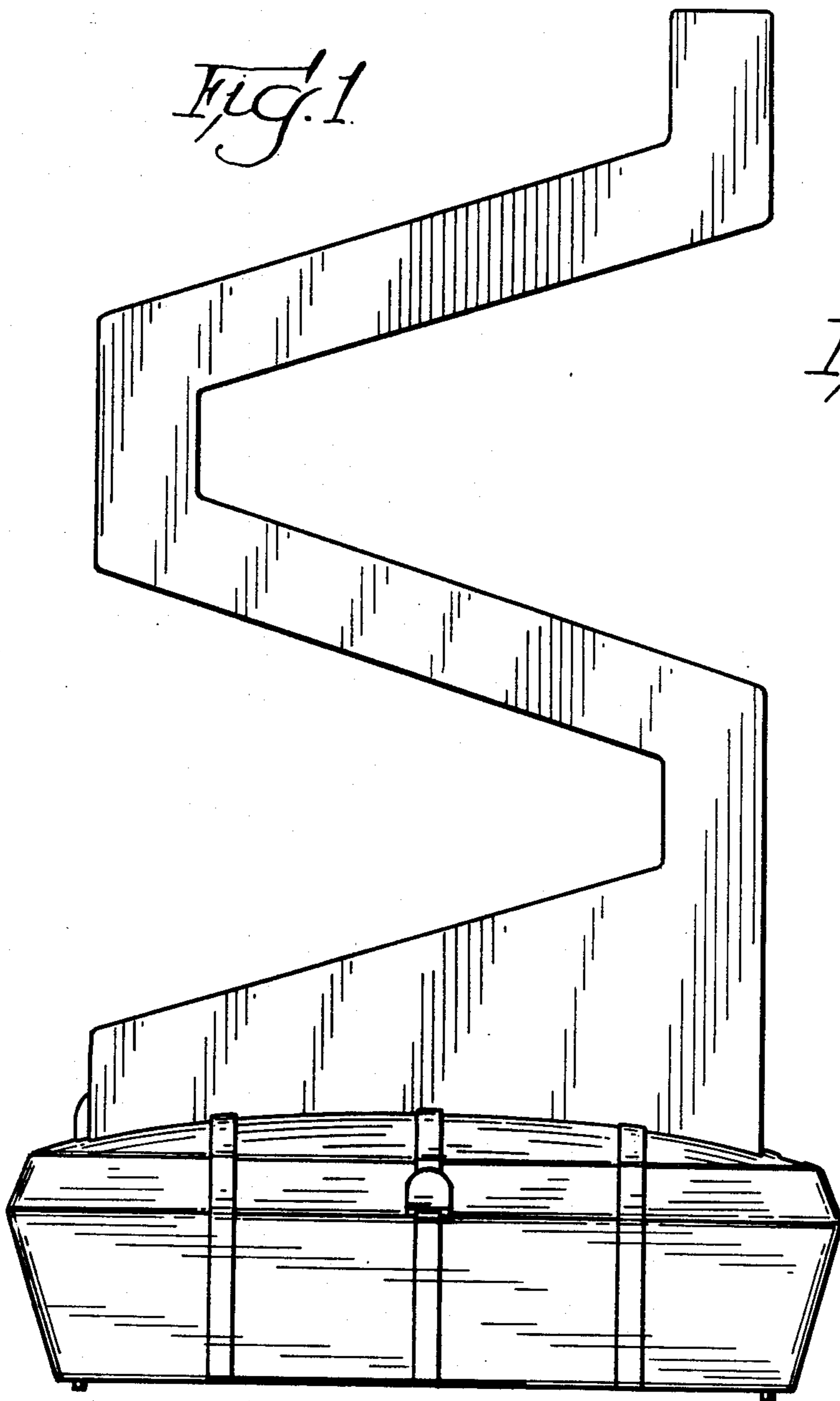


Fig. 2

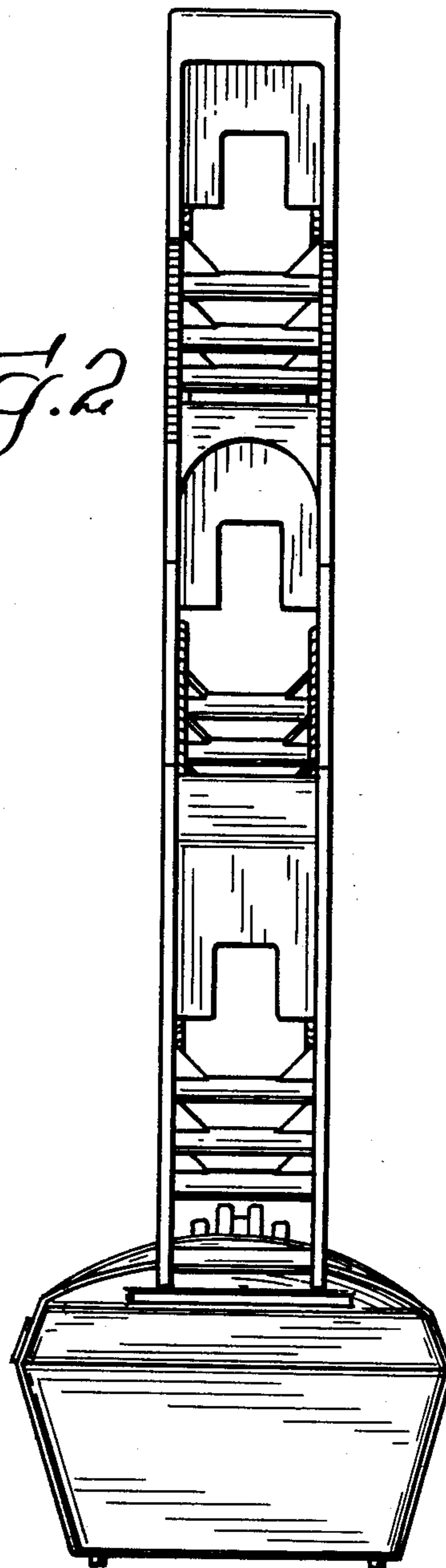


Fig. 3

