

[54] PHYSICAL EXERCISER

3,850,430 11/1974 Hamilton 272/117
3,858,873 1/1975 Jones 272/117

[76] Inventor: Jerry D. Brentham, 102 Elm Dr.,
Belton, Tex. 76513

OTHER PUBLICATIONS

Washington Post, 11-5-1961, Exerciser.

[**] Term: 14 Years

Primary Examiner—Joel Stearman

[21] Appl. No.: 737,183

Assistant Examiner—C. A. Rademaker

[22] Filed: Nov. 1, 1976

Attorney, Agent, or Firm—Howard E. Moore

[51] Int. Cl. D21-02

[57] CLAIM

[52] U.S. Cl. D21/195

The ornamental design for a physical exerciser, substantially as shown and described.

[58] Field of Search D34/5 K, 93, 96, 109,
D34/67, 68, 116, 117, 125, 135, 136, 140, 144

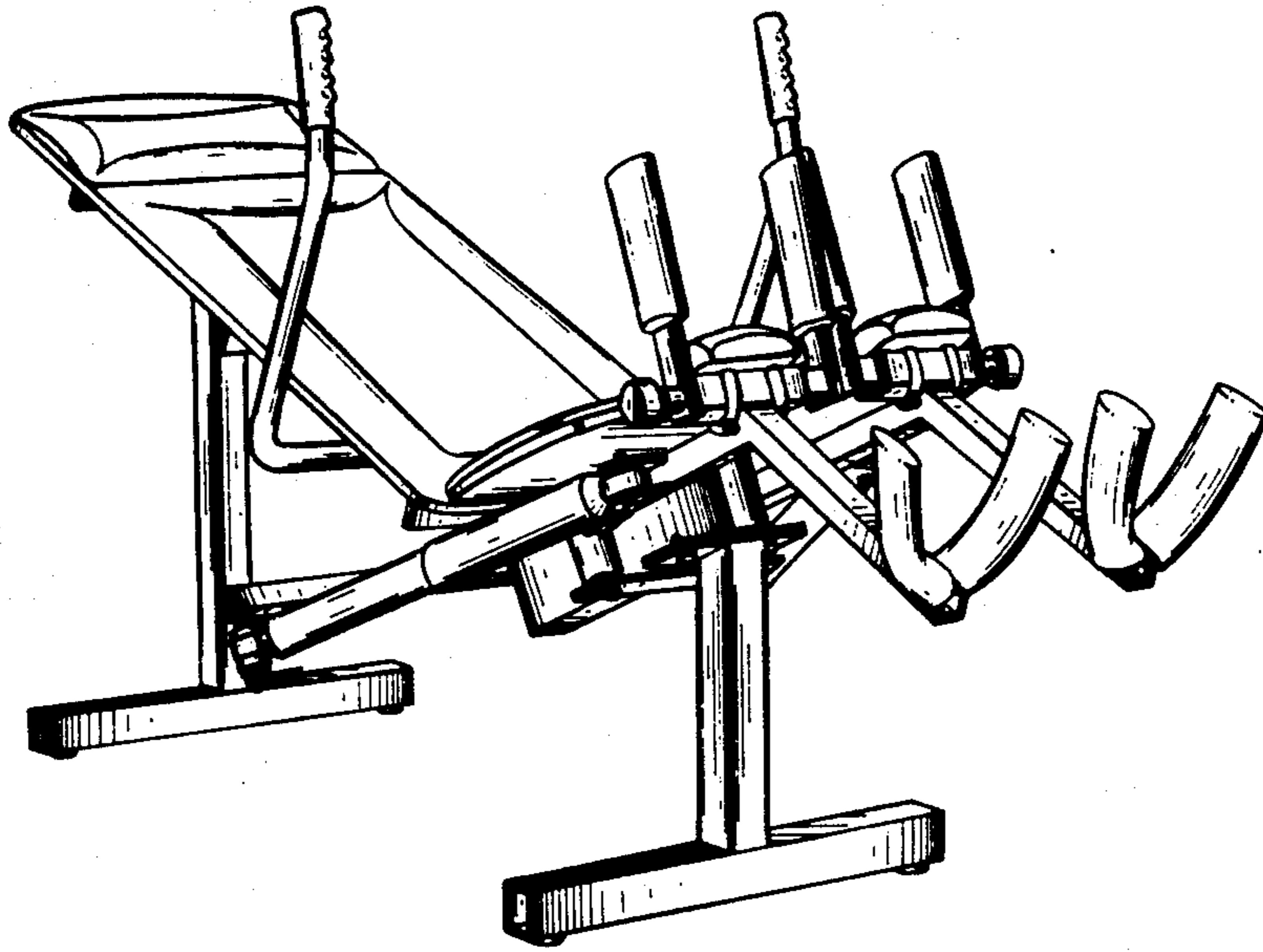
DESCRIPTION

[56] References Cited

FIG. 1 is a perspective front view of a physical exerciser showing my new design; and, FIG. 2 is a rear perspective view thereof, the opposite side being substantially a mirror image.

U.S. PATENT DOCUMENTS

D. 218,624 9/1970 Margolies D34/5 K



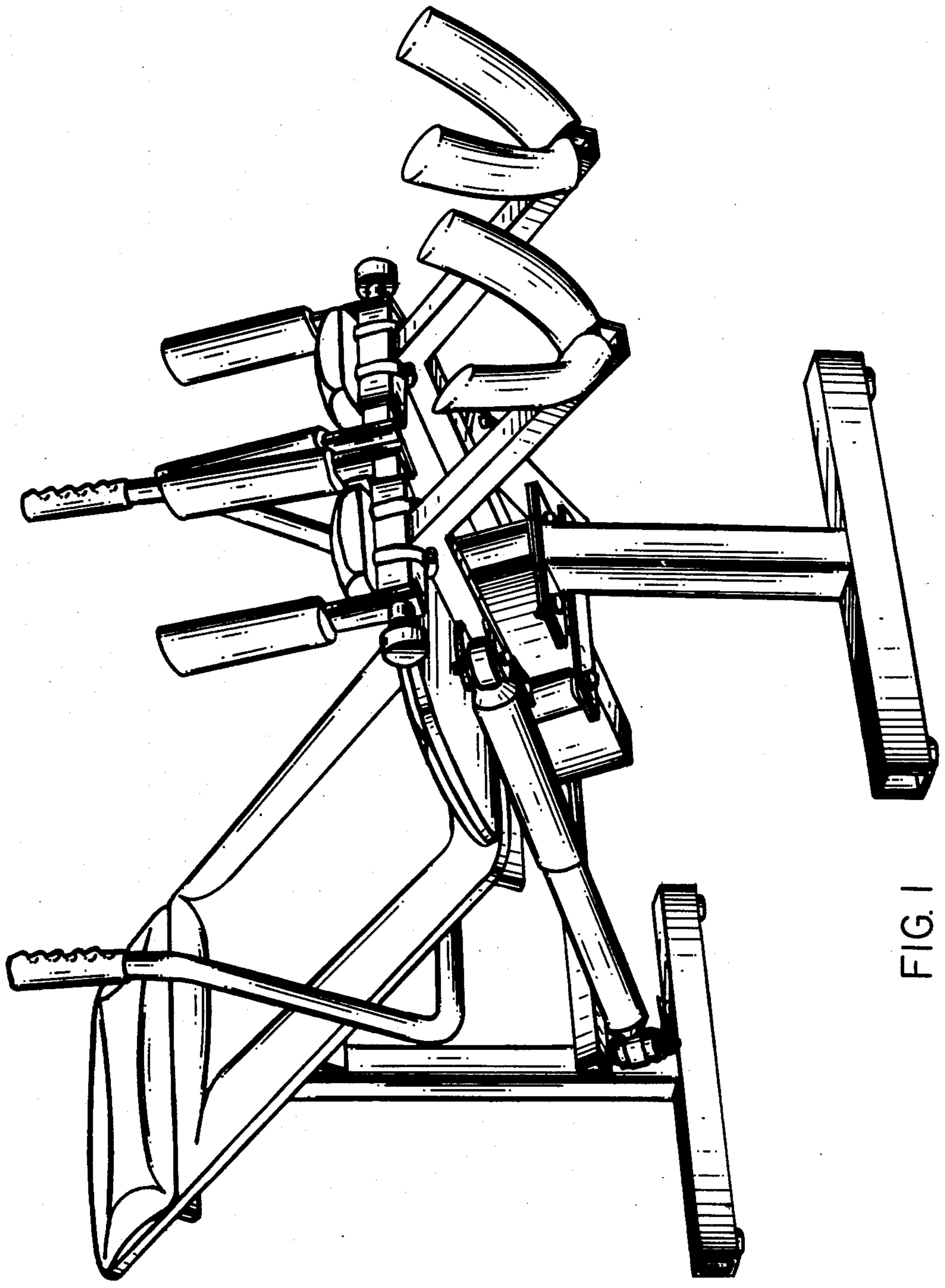


FIG. 1

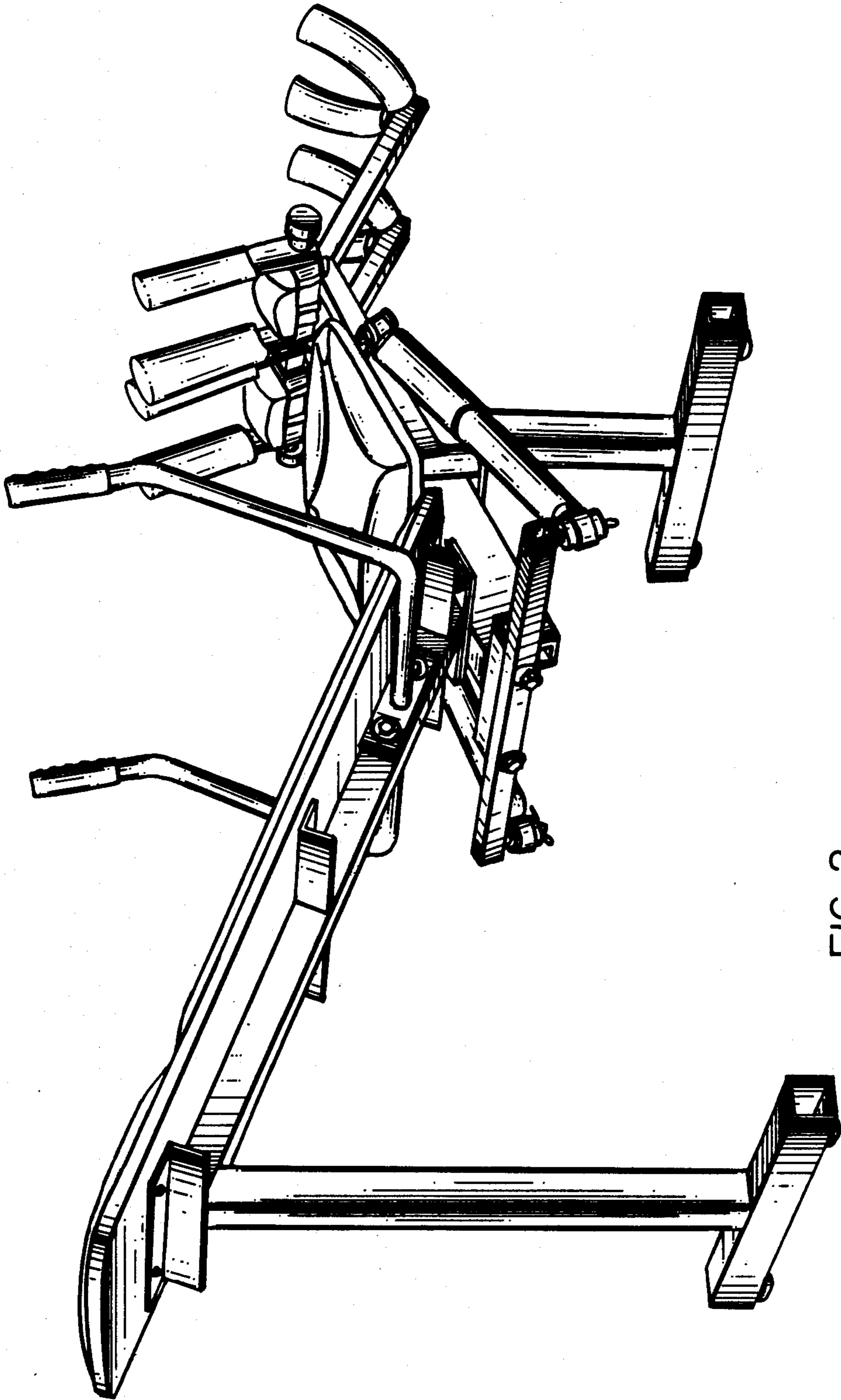


FIG. 2